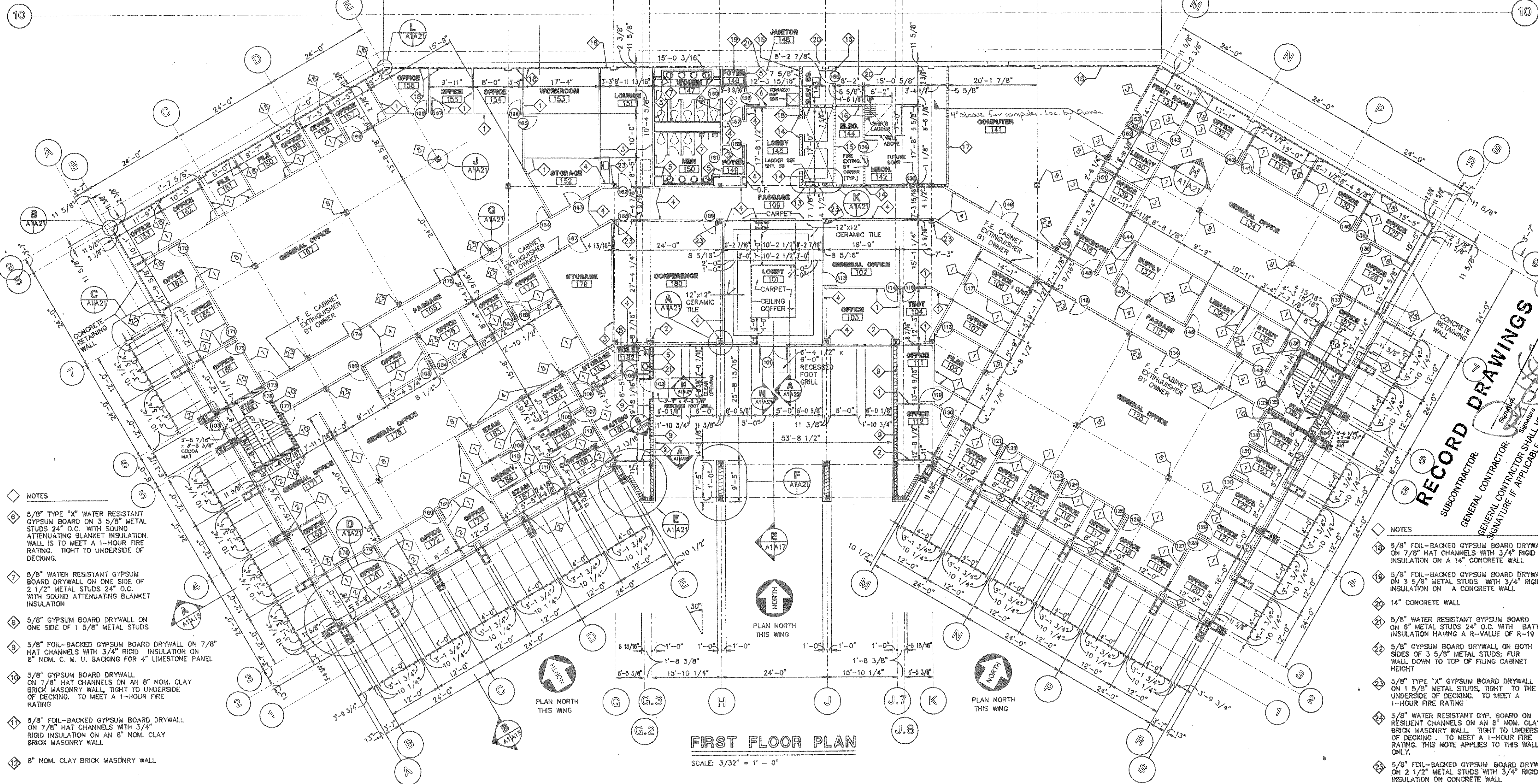


- NOTES
- 1 5/8" GYPSUM BOARD DRYWALL ON BOTH SIDES OF 3 5/8" METAL STUDS 24" O.C.
 - 2 5/8" FOIL-BACKED GYPSUM BOARD DRYWALL ON ONE SIDE OF 3 5/8" METAL STUDS WITH BATT INSULATION HAVING A R-VALUE OF R-13
 - 3 5/8" GYPSUM BOARD DRYWALL ON 3 5/8" METAL STUDS 24" O.C. WITH SOUND ATTENUATING BLANKET INSULATION
 - 4 5/8" TYPE "X" GYPSUM BOARD DRYWALL ON BOTH SIDES OF 3 5/8" METAL STUDS 24" O.C. WITH SOUND ATTENUATING BLANKET INSULATION. TIGHT TO UNDERSIDE OF DECKING. WALL IS TO MEET A 1-HOUR FIRE RATING; FIRE TEST: FM WP-45
 - 5 5/8" WATER RESISTANT (TYPE "X" WHERE REQ'D.) GYPSUM BOARD DRYWALL THIS SIDE 3 5/8" METAL STUDS 24" O.C. WITH SOUND ATTENUATING BLANKET INSULATION

- NOTES
- 13 5/8" GYPSUM BOARD DRYWALL ON 7/8" HAT CHANNELS ON ONE SIDE OF 12" NOM. C.M.U. WALL. BLOCK FILLED WITH VERMICULITE. TIGHT TO THE UNDERSIDE OF DECKING AT ROOF. TO MEET A 1-HOUR FIRE RATING
 - 14 5/8" GYPSUM BOARD DRYWALL ON 7/8" HAT CHANNELS ON ONE SIDE OF 8" NOM. C.M.U. WALL. BLOCK FILLED WITH VERMICULITE. TIGHT TO THE UNDERSIDE OF DECKING. TO MEET A 1-HOUR FIRE RATING
 - 15 8" NOM. C.M.U. WALL. BLOCK FILLED WITH VERMICULITE. TIGHT TO THE UNDERSIDE OF DECKING AT ROOF. TO MEET A 1-HOUR FIRE RATING
 - 16 CONCRETE BLOCK VOIDS FILLED WITH SAND.
 - 17 5/8" GYPSUM BOARD DRYWALL ON 7/8" HAT CHANNELS ON ONE SIDE OF C.M.U. WALL. BLOCK FILLED WITH SAND



- NOTES
- 6 5/8" TYPE "X" WATER RESISTANT GYPSUM BOARD ON 3 5/8" METAL STUDS 24" O.C. WITH SOUND ATTENUATING BLANKET INSULATION. WALL IS TO MEET A 1-HOUR FIRE RATING. TIGHT TO UNDERSIDE OF DECKING.
 - 7 5/8" WATER RESISTANT GYPSUM BOARD DRYWALL ON ONE SIDE OF 2 1/2" METAL STUDS 24" O.C. WITH SOUND ATTENUATING BLANKET INSULATION
 - 8 5/8" GYPSUM BOARD DRYWALL ON ONE SIDE OF 1 5/8" METAL STUDS
 - 9 5/8" FOIL-BACKED GYPSUM BOARD DRYWALL ON 7/8" HAT CHANNELS WITH 3/4" RIGID INSULATION ON 8" NOM. C. M. U. BACKING FOR 4" LIMESTONE PANEL
 - 10 5/8" GYPSUM BOARD DRYWALL ON 7/8" HAT CHANNELS ON AN 8" NOM. CLAY BRICK MASONRY WALL TIGHT TO UNDERSIDE OF DECKING. TO MEET A 1-HOUR FIRE RATING
 - 11 5/8" FOIL-BACKED GYPSUM BOARD DRYWALL ON 7/8" HAT CHANNELS WITH 3/4" RIGID INSULATION ON AN 8" NOM. CLAY BRICK MASONRY WALL
 - 12 8" NOM. CLAY BRICK MASONRY WALL

- NOTES
- 18 5/8" FOIL-BACKED GYPSUM BOARD DRYWALL ON 7/8" HAT CHANNELS WITH 3/4" RIGID INSULATION ON A 14" CONCRETE WALL
 - 19 5/8" FOIL-BACKED GYPSUM BOARD DRYWALL ON 3 5/8" METAL STUDS WITH 3/4" RIGID INSULATION ON A CONCRETE WALL
 - 20 14" CONCRETE WALL
 - 21 5/8" WATER RESISTANT GYPSUM BOARD ON 8" METAL STUDS 24" O.C. WITH BATT INSULATION HAVING A R-VALUE OF R-19
 - 22 5/8" GYPSUM BOARD DRYWALL ON BOTH SIDES OF 3 5/8" METAL STUDS; FUR WALL DOWN TO TOP OF FILING CABINET HEIGHT
 - 23 5/8" TYPE "X" GYPSUM BOARD DRYWALL ON 1 5/8" METAL STUDS, TIGHT TO THE UNDERSIDE OF DECKING. TO MEET A 1-HOUR FIRE RATING
 - 24 5/8" WATER RESISTANT GYP. BOARD ON 1/2" RESILIENT CHANNELS ON AN 8" NOM. CLAY BRICK MASONRY WALL. TIGHT TO UNDERSIDE OF DECKING. TO MEET A 1-HOUR FIRE RATING. THIS NOTE APPLIES TO THIS WALL ONLY.
 - 25 5/8" FOIL-BACKED GYPSUM BOARD DRYWALL ON 2 1/2" METAL STUDS WITH 3/4" RIGID INSULATION ON CONCRETE WALL

FIRST FLOOR PLAN

SCALE: 3/32" = 1' - 0"

RECORD DRAWINGS

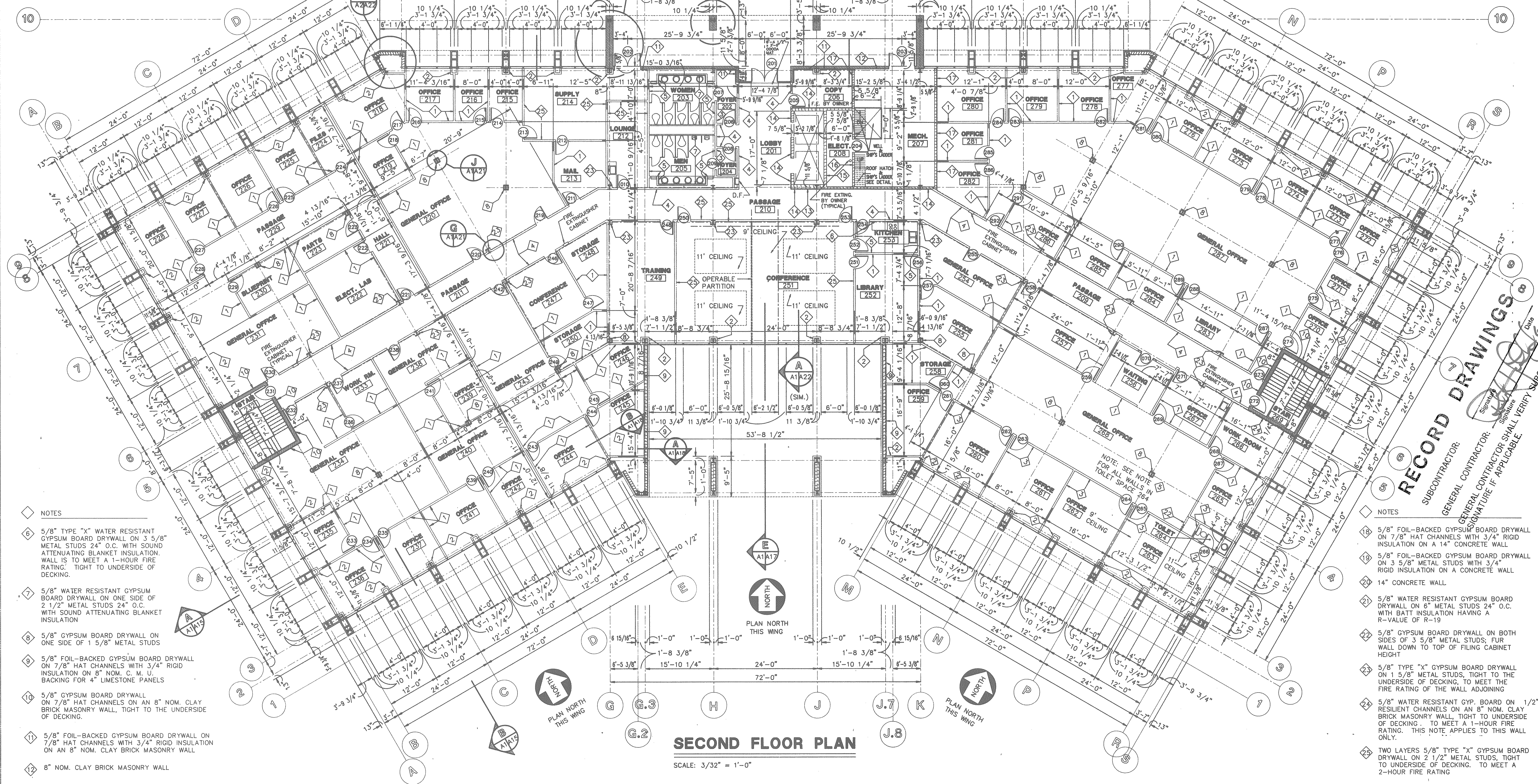
SUBCONTRACTOR: _____
GENERAL CONTRACTOR: _____
SIGNATURE IF APPLICABLE

<p>The State of South Carolina</p>	<p>DEPARTMENT OF MENTAL RETARDATION</p>		A & E FIRM <p>CARLISLE ASSOCIATES 1015 GERVAIS STREET P.O. BOX 11528 COLUMBIA, SC 29211 (803) 252-3232</p>	SHEET TITLE <p>FIRST FLOOR PLAN</p>			PROJECT TITLE <p>CENTRAL OFFICE BUILDING PHASE II</p>		
			REVISIONS #118, #119, #135 & #139 3/15/89	DRAWN BY CHECKED BY FINAL APP.	STATE PROJECT NO. <p>J16-8933</p>	DRAWING NO. S75-A1	SHEET <p>A1 of 25</p>	DATE 4/1/88	DIVISION

PER MAP TO BE USED FOR THIS DRAWING. SEE MAP TO BE USED FOR THIS DRAWING. SEE MAP TO BE USED FOR THIS DRAWING. SEE MAP TO BE USED FOR THIS DRAWING.

- NOTES
- 1 5/8" GYPSUM BOARD DRYWALL ON BOTH SIDES OF 3 5/8" METAL STUDS 24" O.C.
 - 2 5/8" FOIL-BACKED GYPSUM BOARD DRYWALL ON ONE SIDE OF 3 5/8" METAL STUDS WITH BATT INSULATION HAVING A R-VALUE OF R-13
 - 3 5/8" GYPSUM BOARD DRYWALL ON 3 5/8" METAL STUDS 24" O.C. WITH SOUND ATTENUATING BLANKET INSULATION
 - 4 5/8" TYPE "X" GYPSUM BOARD DRYWALL ON BOTH SIDES OF 3 5/8" METAL STUDS 24" O.C. WITH SOUND ATTENUATING BLANKET INSULATION. TIGHT TO UNDERSIDE OF DECKING. WALL IS TO MEET A 1-HOUR FIRE RATING; FIRE TEST: FM WP-45
 - 5 5/8" WATER RESISTANT (TYPE "X" WHERE REQ'D.) GYPSUM BOARD DRYWALL ON 3 5/8" METAL STUDS 24" O.C. WITH SOUND ATTENUATING BLANKET INSULATION

- NOTES
- 13 5/8" GYPSUM BOARD DRYWALL ON 7/8" HAT CHANNELS ON ONE SIDE OF 12" NOM. C.M.U. WALL. BLOCK FILLED WITH VERMICULITE. TIGHT TO THE UNDERSIDE OF DECKING AT ROOF. TO MEET A 1-HOUR FIRE RATING
 - 14 5/8" GYPSUM BOARD DRYWALL ON 7/8" HAT CHANNELS ON ONE SIDE OF 8" NOM. C.M.U. WALL. BLOCK FILLED WITH VERMICULITE. TIGHT TO THE UNDERSIDE OF DECKING. TO MEET A 1-HOUR FIRE RATING
 - 15 8" NOM. C.M.U. WALL. BLOCK FILLED WITH VERMICULITE. TIGHT TO THE UNDERSIDE OF DECKING AT ROOF. TO MEET A 1-HOUR FIRE RATING
 - 16 CONCRETE BLOCK VOIDS FILLED WITH SAND
 - 17 5/8" GYPSUM BOARD DRYWALL ON 7/8" HAT CHANNELS ON ONE SIDE OF C.M.U. WALL. BLOCK FILLED WITH SAND



- NOTES
- 6 5/8" TYPE "X" WATER RESISTANT GYPSUM BOARD DRYWALL ON 3 5/8" METAL STUDS 24" O.C. WITH SOUND ATTENUATING BLANKET INSULATION. TIGHT TO UNDERSIDE OF DECKING.
 - 7 5/8" WATER RESISTANT GYPSUM BOARD DRYWALL ON ONE SIDE OF 2 1/2" METAL STUDS 24" O.C. WITH SOUND ATTENUATING BLANKET INSULATION
 - 8 5/8" GYPSUM BOARD DRYWALL ON ONE SIDE OF 1 5/8" METAL STUDS
 - 9 5/8" FOIL-BACKED GYPSUM BOARD DRYWALL ON 7/8" HAT CHANNELS WITH 3/4" RIGID INSULATION ON 8" NOM. C. M. U. BACKING FOR 4" LESTERONE PANELS
 - 10 5/8" GYPSUM BOARD DRYWALL ON 7/8" HAT CHANNELS ON AN 8" NOM. CLAY BRICK MASONRY WALL, TIGHT TO THE UNDERSIDE OF DECKING.
 - 11 5/8" FOIL-BACKED GYPSUM BOARD DRYWALL ON 7/8" HAT CHANNELS WITH 3/4" RIGID INSULATION ON AN 8" NOM. CLAY BRICK MASONRY WALL
 - 12 8" NOM. CLAY BRICK MASONRY WALL

- NOTES
- 18 5/8" FOIL-BACKED GYPSUM BOARD DRYWALL ON 7/8" HAT CHANNELS WITH 3/4" RIGID INSULATION ON A 14" CONCRETE WALL
 - 19 5/8" FOIL-BACKED GYPSUM BOARD DRYWALL ON 3 5/8" METAL STUDS WITH 3/4" RIGID INSULATION ON A CONCRETE WALL
 - 20 14" CONCRETE WALL
 - 21 5/8" WATER RESISTANT GYPSUM BOARD DRYWALL ON 6" METAL STUDS 24" O.C. WITH BATT INSULATION HAVING A R-VALUE OF R-19
 - 22 5/8" GYPSUM BOARD DRYWALL ON BOTH SIDES OF 3 5/8" METAL STUDS; FUR WALL DOWN TO TOP OF FILING CABINET HEIGHT
 - 23 5/8" TYPE "X" GYPSUM BOARD DRYWALL ON 1 5/8" METAL STUDS, TIGHT TO THE UNDERSIDE OF DECKING, TO MEET THE FIRE RATING OF THE WALL ADJOINING
 - 24 5/8" WATER RESISTANT GYP. BOARD ON 1/2" RESILIENT CHANNELS ON AN 8" NOM. CLAY BRICK MASONRY WALL, TIGHT TO UNDERSIDE OF DECKING. TO MEET A 1-HOUR FIRE RATING. THIS NOTE APPLIES TO THIS WALL ONLY.
 - 25 TWO LAYERS 5/8" TYPE "X" GYPSUM BOARD DRYWALL ON 2 1/2" METAL STUDS, TIGHT TO UNDERSIDE OF DECKING. TO MEET A 2-HOUR FIRE RATING

RECORD DRAWINGS
 SUBCONTRACTOR
 GENERAL CONTRACTOR
 GENERAL CONTRACTOR SHALL VERIFY SIGNATURE IF APPLICABLE

SECOND FLOOR PLAN

SCALE: 3/32" = 1'-0"

<p>The State of South Carolina</p>	<p>DEPARTMENT OF MENTAL RETARDATION</p>		A & E FIRM <p>CARLISLE ASSOCIATES 1015 GERVAIS STREET P.O. BOX 11528 COLUMBIA, SC 29211 (803) 252-3232</p>				SHEET TITLE <p>SECOND FLOOR PLAN</p>			PROJECT TITLE <p>CENTRAL OFFICE BUILDING PHASE II</p>		
			REVISION NO. DATE BY APP.	DATE BY APP.	A & E PROJECT NO.	DRAWN BY	CHECKED BY	FINAL APP.	STATE PROJECT NO. <p>J16-8933</p>	DRAWING NO. S75-A2	SHEET <p>A2 of 25</p>	



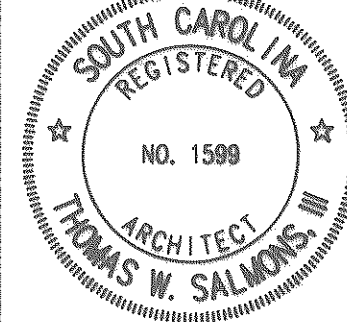
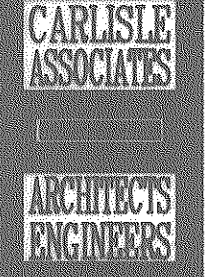
R O O M F I N I S H S C H E D U L E

RM. NO.	ROOM NAME	FLOOR		BASE		WALLS												CEILING			WAINSCOT			DOOR & WINDOW TRIM				REMARKS
		MATERIAL	COLOR	MATERIAL	COLOR	NORTH			SOUTH			EAST			WEST			MATERIAL	HEIGHT	CORNICE	MATERIAL	MATERIAL	HEIGHT	DOOR		WINDOW		
						MATERIAL	FINISH	COLOR	MATERIAL	FINISH	COLOR	MATERIAL	FINISH	COLOR	MATERIAL	FINISH	COLOR							MATERIAL	FINISH	COLOR	MATERIAL	
101	LOBBY	TYPE I CARPET & 12" SQ. GR. TILE	D/W	WOOD	S	GYP. BD.	TYPE III V.W.C.	EE	GLASS	---	---	GYP. BD.	TYPE III V.W.C.	EE	GYP. BD.	TYPE III V.W.C.	EE	DESIGN TYPE III ACOUS. TILE	9'-0"/11'-0"	LIGHT COVE SEE DETAIL				ANOD. ALUM. & H.M. PAINTED	FFF	ANODIZED ALUMINUM	BRONZE	STOREFRONT IS ANODIZED ALUMINUM W/ BRONZE COLOR RECESSED FOOT GRILLE ● EXTERIOR DOOR
102	GEN. OFFICE	TYPE I CARPET	A	VINYL	R	GYP. BD.	TYPE I V.W.C.	X	GYP. BD.	TYPE I V.W.C.	X	GYP. BD.	TYPE I V.W.C.	X	GYP. BD.	TYPE I V.W.C.	W	DESIGN TYPE I ACOUS. TILE	10'-0"				H.M. PAINTED	FFF	---	---		
103	OFFICE	TYPE II CARPET	E	VINYL	R	GYP. BD.	TYPE II V.W.C.	GG	GLASS/GYP. BD.	TYPE II V.W.C.	GG	GYP. BD.	TYPE II V.W.C.	GG	GYP. BD.	TYPE II V.W.C.	GG	DESIGN TYPE II ACOUS. TILE	9'-0"				H.M. PAINTED	FFF	ANODIZED ALUMINUM	BRONZE		
104	TEST	TYPE I CARPET SHEET VINYL	A	VINYL	R	GYP. BD.	TYPE I V.W.C.	X	GYP. BD.	TYPE I V.W.C.	X	GYP. BD.	TYPE I V.W.C.	X	GYP. BD.	TYPE I V.W.C.	X	DESIGN TYPE I ACOUS. TILE	9'-0"				H.M. PAINTED	FFF	---	---		
105	FILES	TYPE I CARPET	K	VINYL	R	GYP. BD.	TYPE I V.W.C.	CC	GYP. BD.	TYPE I V.W.C.	CC	GYP. BD.	TYPE I V.W.C.	CC	GYP. BD.	TYPE I V.W.C.	CC	DESIGN TYPE I ACOUS. TILE	9'-0"				H.M. PAINTED	FFF	---	---		
106	OFFICE	TYPE I CARPET	C	VINYL	R	GYP. BD.	TYPE I V.W.C.	AA	GYP. BD.	TYPE I V.W.C.	AA	GYP. BD.	TYPE I V.W.C.	AA	GYP. BD.	TYPE I V.W.C.	AA	DESIGN TYPE I ACOUS. TILE	9'-0"				H.M. PAINTED	FFF	---	---		
107	OFFICE	TYPE I CARPET	A	VINYL	R	GYP. BD.	TYPE I V.W.C.	X	GYP. BD.	TYPE I V.W.C.	X	GYP. BD.	TYPE I V.W.C.	X	GYP. BD.	TYPE I V.W.C.	X	DESIGN TYPE I ACOUS. TILE	9'-0"				H.M. PAINTED	FFF	---	---		
108	PASSAGE	TYPE I CARPET	A	WOOD	S	GYP. BD.	TYPE I V.W.C.	T	GYP. BD.	TYPE I V.W.C.	T	---	---	---	GYP. BD.	TYPE I V.W.C.	U	DESIGN TYPE I-R ACOUS. TILE	9'-0"				H.M. PAINTED	FFF	---	---	SOUND ATTENUATING BLANKET INSULATION IN ALL WALLS	
109	PASSAGE	TYPE I CARPET	A	WOOD	S	GYP. BD.	TYPE I V.W.C.	T	GYP. BD.	TYPE I V.W.C.	T	---	---	---	GYP. BD.	TYPE I V.W.C.	U	DESIGN TYPE I-R ACOUS. TILE	9'-0"				H.M. PAINTED	FFF	---	---	SOUND ATTENUATING BLANKET INSULATION IN ALL WALLS	
110	PASSAGE	TYPE I CARPET	A	WOOD	S	GYP. BD.	TYPE I V.W.C.	T	GYP. BD.	TYPE I V.W.C.	T	---	---	---	GYP. BD.	TYPE I V.W.C.	U	DESIGN TYPE I-R ACOUS. TILE	9'-0"				H.M. PAINTED	FFF	---	---	SOUND ATTENUATING BLANKET INSULATION IN ALL WALLS	
111	OFFICE	TYPE I CARPET	C	VINYL	R	GYP. BD.	TYPE I V.W.C.	AA	GYP. BD.	TYPE I V.W.C.	AA	GYP. BD.	TYPE I V.W.C.	AA	GYP. BD.	TYPE I V.W.C.	AA	DESIGN TYPE I ACOUS. TILE	9'-0"				H.M. PAINTED	FFF	---	---		
112	OFFICE	TYPE I CARPET	C	VINYL	R	GYP. BD.	TYPE I V.W.C.	AA	GYP. BD.	TYPE I V.W.C.	AA	GYP. BD.	TYPE I V.W.C.	AA	GYP. BD.	TYPE I V.W.C.	AA	DESIGN TYPE I ACOUS. TILE	9'-0"				H.M. PAINTED	FFF	---	---		
113	OFFICE	TYPE I CARPET	C	VINYL	R	GYP. BD.	TYPE I V.W.C.	AA	GLASS/GYP. BD.	TYPE I V.W.C.	AA	GYP. BD.	TYPE I V.W.C.	AA	GYP. BD.	TYPE I V.W.C.	AA	DESIGN TYPE I ACOUS. TILE	9'-0"				H.M. PAINTED	FFF	ANODIZED ALUMINUM	BRONZE		
114	OFFICE	TYPE I CARPET	C	VINYL	R	GYP. BD.	TYPE I V.W.C.	AA	GLASS/GYP. BD.	TYPE I V.W.C.	AA	GYP. BD.	TYPE I V.W.C.	AA	GYP. BD.	TYPE I V.W.C.	AA	DESIGN TYPE I ACOUS. TILE	9'-0"				H.M. PAINTED	FFF	ANODIZED ALUMINUM	BRONZE		
115	OFFICE	TYPE I CARPET	C	VINYL	R	GYP. BD.	TYPE I V.W.C.	AA	GLASS/GYP. BD.	TYPE I V.W.C.	AA	GYP. BD.	TYPE I V.W.C.	AA	GYP. BD.	TYPE I V.W.C.	AA	DESIGN TYPE I ACOUS. TILE	9'-0"				H.M. PAINTED	FFF	ANODIZED ALUMINUM	BRONZE		
116	OFFICE	TYPE I CARPET	C	VINYL	R	GYP. BD.	TYPE I V.W.C.	AA	GLASS/GYP. BD.	TYPE I V.W.C.	AA	GYP. BD.	TYPE I V.W.C.	AA	GYP. BD.	TYPE I V.W.C.	AA	DESIGN TYPE I ACOUS. TILE	9'-0"				H.M. PAINTED	FFF	ANODIZED ALUMINUM	BRONZE		
117	OFFICE	TYPE I CARPET	C	VINYL	R	GYP. BD.	TYPE I V.W.C.	AA	GLASS/GYP. BD.	TYPE I V.W.C.	AA	GYP. BD.	TYPE I V.W.C.	AA	GYP. BD.	TYPE I V.W.C.	AA	DESIGN TYPE I ACOUS. TILE	9'-0"				H.M. PAINTED	FFF	ANODIZED ALUMINUM	BRONZE		
118	OFFICE	TYPE I CARPET	C	VINYL	R	GYP. BD.	TYPE I V.W.C.	AA	GLASS/GYP. BD.	TYPE I V.W.C.	AA	GYP. BD.	TYPE I V.W.C.	AA	GYP. BD.	TYPE I V.W.C.	AA	DESIGN TYPE I ACOUS. TILE	9'-0"				H.M. PAINTED	FFF	ANODIZED ALUMINUM	BRONZE		
119	OFFICE	TYPE I CARPET	C	VINYL	R	GYP. BD.	TYPE I V.W.C.	AA	GLASS/GYP. BD.	TYPE I V.W.C.	AA	GYP. BD.	TYPE I V.W.C.	AA	GYP. BD.	TYPE I V.W.C.	AA	DESIGN TYPE I ACOUS. TILE	9'-0"				H.M. PAINTED	FFF	ANODIZED ALUMINUM	BRONZE		
120	OFFICE	TYPE II CARPET	E	VINYL	R	GYP. BD.	TYPE II V.W.C.	GG	GLASS/GYP. BD.	TYPE II V.W.C.	GG	GYP. BD.	TYPE II V.W.C.	GG	GYP. BD.	TYPE II V.W.C.	GG	DESIGN TYPE II ACOUS. TILE	9'-0"				H.M. PAINTED	FFF	ANODIZED ALUMINUM	BRONZE		
121	OFFICE	TYPE I CARPET	C	VINYL	R	GYP. BD.	TYPE I V.W.C.	AA	GLASS/GYP. BD.	TYPE I V.W.C.	AA	GYP. BD.	TYPE I V.W.C.	AA	GYP. BD.	TYPE I V.W.C.	AA	DESIGN TYPE I ACOUS. TILE	9'-0"				H.M. PAINTED	FFF	ANODIZED ALUMINUM	BRONZE		
122	OFFICE	TYPE I CARPET	C	VINYL	R	GYP. BD.	TYPE I V.W.C.	AA	GLASS/GYP. BD.	TYPE I V.W.C.	AA	GYP. BD.	TYPE I V.W.C.	AA	GYP. BD.	TYPE I V.W.C.	AA	DESIGN TYPE I ACOUS. TILE	9'-0"				H.M. PAINTED	FFF	ANODIZED ALUMINUM	BRONZE		
123	OFFICE	TYPE I CARPET	C	VINYL	R	GYP. BD.	TYPE I V.W.C.	AA	GLASS/GYP. BD.	TYPE I V.W.C.	AA	GYP. BD.	TYPE I V.W.C.	AA	GYP. BD.	TYPE I V.W.C.	AA	DESIGN TYPE I ACOUS. TILE	9'-0"				H.M. PAINTED	FFF	ANODIZED ALUMINUM	BRONZE		
124	OFFICE	TYPE I CARPET	C	VINYL	R	GYP. BD.	TYPE I V.W.C.	AA	GLASS/GYP. BD.	TYPE I V.W.C.	AA	GYP. BD.	TYPE I V.W.C.	AA	GYP. BD.	TYPE I V.W.C.	AA	DESIGN TYPE I ACOUS. TILE	9'-0"				H.M. PAINTED	FFF	ANODIZED ALUMINUM	BRONZE		
125	GEN. OFFICE	TYPE I CARPET	A	VINYL	R	GYP. BD.	TYPE I V.W.C.	X	GYP. BD.	TYPE I V.W.C.	W	GYP. BD.	TYPE I V.W.C.	X	GYP. BD.	TYPE I V.W.C.	X	DESIGN TYPE I ACOUS. TILE	9'-0"/10'-0"				H.M. PAINTED	FFF	---	---		
126	STAIR	SHEET VINYL	L	VINYL	R	BRICK	---	---	BRICK	---	---	BRICK	---	---	BRICK	---	---						ANOD. ALUM. & H.M. PAINTED	FFF	ANODIZED ALUMINUM	BRONZE	VINYL TREADS, RISERS, STRINGERS, FLOOR AND LANDING RECESSED COCOA MAT ● EXT. DOOR	
127	OFFICE	TYPE II CARPET	E	VINYL	R	GYP. BD.	TYPE II V.W.C.	GG	GYP. BD.	TYPE II V.W.C.	GG	GYP. BD.	TYPE II V.W.C.	GG	GYP. BD.	TYPE II V.W.C.	GG	DESIGN TYPE II ACOUS. TILE	9'-0"				H.M. PAINTED	FFF	ANODIZED ALUMINUM	BRONZE		
128	OFFICE	TYPE I CARPET	C	VINYL	R	GYP. BD.	TYPE I V.W.C.	AA	GYP. BD.	TYPE I V.W.C.	AA	GYP. BD.	TYPE I V.W.C.	AA	GYP. BD.	TYPE I V.W.C.	AA	DESIGN TYPE I ACOUS. TILE	9'-0"				H.M. PAINTED	FFF	---	---		
129	OFFICE	TYPE I CARPET	C	VINYL	R	GYP. BD.	TYPE I V.W.C.	AA	GYP. BD.	TYPE I V.W.C.	AA	GYP. BD.	TYPE I V.W.C.	AA	GYP. BD.	TYPE I V.W.C.	AA	DESIGN TYPE I ACOUS. TILE	9'-0"				H.M. PAINTED	FFF	---	---		
130	OFFICE	TYPE I CARPET	C	VINYL	R	GYP. BD.	TYPE I V.W.C.	AA	GYP. BD.	TYPE I V.W.C.	AA	GYP. BD.	TYPE I V.W.C.	AA	GYP. BD.	TYPE I V.W.C.	AA	DESIGN TYPE I ACOUS. TILE	9'-0"				H.M. PAINTED	FFF	---	---		
131	OFFICE	TYPE I CARPET	C	VINYL	R	GYP. BD.	TYPE I V.W.C.	AA	GYP. BD.	TYPE I V.W.C.	AA	GYP. BD.	TYPE I V.W.C.	AA	GYP. BD.	TYPE I V.W.C.	AA	DESIGN TYPE I ACOUS. TILE	9'-0"				H.M. PAINTED	FFF	---	---		
132	OFFICE	TYPE I CARPET	C	VINYL	R	GYP. BD.	TYPE I V.W.C.	AA	GYP. BD.	TYPE I V.W.C.	AA	GYP. BD.	TYPE I V.W.C.	AA	GYP. BD.	TYPE I V.W.C.	AA	DESIGN TYPE I ACOUS. TILE	9'-0"				H.M. PAINTED	FFF	---	---		
133	PRINT RM.	FLOOR SYSTEM SPEC. FINISH	O	COVELESS VINYL	R	GYP. BD.	TYPE I V.W.C.	BBB	GYP. BD.	TYPE I V.W.C.	BBB	GYP. BD.	TYPE I V.W.C.	BBB	GYP. BD.	TYPE I V.W.C.	BBB	DESIGN TYPE I ACOUS. TILE	9'-0"				H.M. PAINTED	FFF	---	---	SOUND ATTENUATING BLANKET INSULATION IN THE EAST AND WEST WALLS ● COMPUTER FLOOR	
134	GEN. OFFICE	TYPE I CARPET	A	VINYL	R	GYP. BD.	TYPE I V.W.C.	W	GYP. BD.	TYPE I V.W.C.	X	GYP. BD.	TYPE I V.W.C.	X	GYP. BD.	TYPE I V.W.C.	X	DESIGN TYPE I ACOUS. TILE	10'-0"				H.M. PAINTED	FFF	---	---		
135	STUDY	TYPE I CARPET	C	VINYL	R	GYP. BD.	TYPE I V.W.C.	AA	GYP. BD.	TYPE I V.W.C.	AA	GYP. BD.	TYPE I V.W.C.	AA	GYP. BD.	TYPE I V.W.C.	AA	DESIGN TYPE I ACOUS. TILE	9'-0"				H.M. PAINTED	FFF	---	---		
136	LIBRARY	TYPE I CARPET	C	VINYL	R	GYP. BD.	TYPE I V.W.C.	AA	GYP. BD.	TYPE I V.W.C.	AA	GYP. BD.	TYPE I V.W.C.	AA	GYP. BD.	TYPE I V.W.C.	AA	DESIGN TYPE I ACOUS. TILE	9'-0"				H.M. PAINTED	FFF	---	---		
137	SUPPLY	TYPE I CARPET	C	VINYL	R	GYP. BD.	TYPE I V.W.C.	AA	GYP. BD.	TYPE I V.W.C.	AA	GYP. BD.	TYPE I V.W.C.	AA	GYP. BD.	TYPE I V.W.C.	AA	DESIGN TYPE I ACOUS. TILE	9'-0"				H.M. PAINTED	FFF	---	---		
138	WORKROOM	FLOOR SYSTEM SPEC. FINISH	O	COVELESS VINYL	R	GYP. BD.	TYPE I V.W.C.	BBB	GYP. BD.	TYPE I V.W.C.	BBB	GYP. BD.	TYPE I V.W.C.	BBB	GYP. BD.	TYPE I V.W.C.	BBB	DESIGN TYPE I ACOUS. TILE	9'-0"				H.M. PAINTED	FFF	---	---	COMPUTER FLOOR ● SOUND ATTENUATING BLANKET IN EAST & WEST WALLS	
139	OFFICE	FLOOR SYSTEM SPEC. FINISH	O	COVELESS VINYL	R	GYP. BD.	TYPE I V.W.C.	BBB	GYP. BD.	TYPE I V.W.C.	BBB	GYP. BD.	TYPE I V.W.C.	BBB	GYP. BD.	TYPE I V.W.C.	BBB	DESIGN TYPE I ACOUS. TILE	9'-0"				H.M. PAINTED	FFF	---	---	COMPUTER FLOOR ● SOUND ATTENUATING BLANKET IN EAST & WEST WALLS	
140	LIBRARY	FLOOR SYSTEM SPEC. FINISH	O	COVELESS VINYL	R	GYP. BD.	TYPE I V.W.C.	BBB	GYP. BD.	TYPE I V.W.C.	BBB	GYP. BD.	TYPE I V.W.C.	BBB	GYP. BD.	TYPE I V.W.C.	BBB	DESIGN TYPE I ACOUS. TILE	9'-0"				H.M. PAINTED	FFF	---	---	COMPUTER FLOOR ● SOUND ATTENUATING BLANKET IN EAST & WEST WALLS	
141	COMPUTER	FLOOR SYSTEM SPEC. FINISH	O	COVELESS VINYL	R	GYP. BD.	TYPE I V.W.C.	CCC	GYP. BD.	TYPE I V.W.C.	BBB	GYP. BD.	TYPE I V.W.C.	BBB	GYP. BD.	TYPE I V.W.C.	BBB	DESIGN TYPE I ACOUS. TILE	10'-0"				H.M. PAINTED	FFF	---	---	COMPUTER FLOOR ● SOUND ATTENUATING BLANKET IN EAST WALL	
142	MECH.	PAINTED CONCRETE	Q	VINYL	R	CONCRETE	EPOXY PAINT	VV	CONCRETE BLOCK	EPOXY PAINT	VV	CONCRETE BLOCK	EPOXY PAINT	VV	CONCRETE BLOCK	EPOXY PAINT	VV	NONE					H.M. PAINTED	FFF	---	---	FILL BLOCK CELLS WITH SAND	
143	ELEV. EQ.	PAINTED CONCRETE	Q	VINYL	R	CONCRETE	EPOXY PAINT	VV	CONCRETE BLOCK	EPOXY PAINT	VV	CONCRETE BLOCK	EPOXY PAINT	VV	CONCRETE BLOCK	EPOXY PAINT	VV	NONE					H.M. PAINTED	FFF	---	---	FILL BLOCK CELLS WITH SAND	
144	ELEC.	PAINTED CONCRETE	Q	VINYL	R	CONCRETE	EPOXY PAINT	VV	CONCRETE BLOCK	EPOXY PAINT	VV	CONCRETE BLOCK	EPOXY PAINT	VV	CONCRETE BLOCK	EPOXY PAINT	VV	NONE					H.M. PAINTED	FFF	---	---	FILL BLOCK CELLS WITH SAND	
145	LOBBY	TYPE I CARPET	A	VINYL	R	GYP. BD.	TYPE I V.W.C.	T	GYP. BD.	TYPE I V.W.C.	T	GYP. BD.	TYPE I V.W.C.	T	GYP. BD.	TYPE I V.W.C.	U	DESIGN TYPE I-R ACOUS. TILE	9'-0"				H.M. PAINTED	FFF	---	---		
146	FOYER	4X4 CERAMIC TILE	N	CERAMIC TILE	NJ	GYP. BD.	TYPE III V.W.C.	II	GYP. BD.	TYPE III V.W.C.	II	GYP. BD.	TYPE III V.W.C.	II	GYP. BD.	TYPE III V.W.C.	II	DESIGN TYPE I ACOUS. TILE	9'-0"				H.M. PAINTED	FFF	---	---	SOUND ATTENUATING BLANKET INSULATION IN ALL WALLS	
147	WOMEN	4X4 CERAMIC TILE	N	CERAMIC TILE	NJ	WATER RESIST. GYP. BD.	TYPE III V.W.C.	II	WATER RESIST. GYP. BD.	TYPE III V.W.C.	II	WATER RESIST. GYP. BD.	TYPE III V.W.C.	II	WATER RESIST. GYP. BD.	TYPE III V.W.C.	II	DESIGN TYPE I ACOUS. TILE	9'-0"				CERAMIC TILE	3'-4"A.F.F.	---	---	WAINSCOT STOPS AT UNDERSIDE OF LAVATORY COUNTER SOUND ATTENUATING BLANKET INSULATION IN ALL WALLS	
148	JANITOR	4X4 CERAMIC TILE	M	CERAMIC TILE	UU	CONCRETE	EPOXY PAINT	UU	CONCRETE	EPOXY PAINT	UU																	

R O O M F I N I S H S C H E D U L E

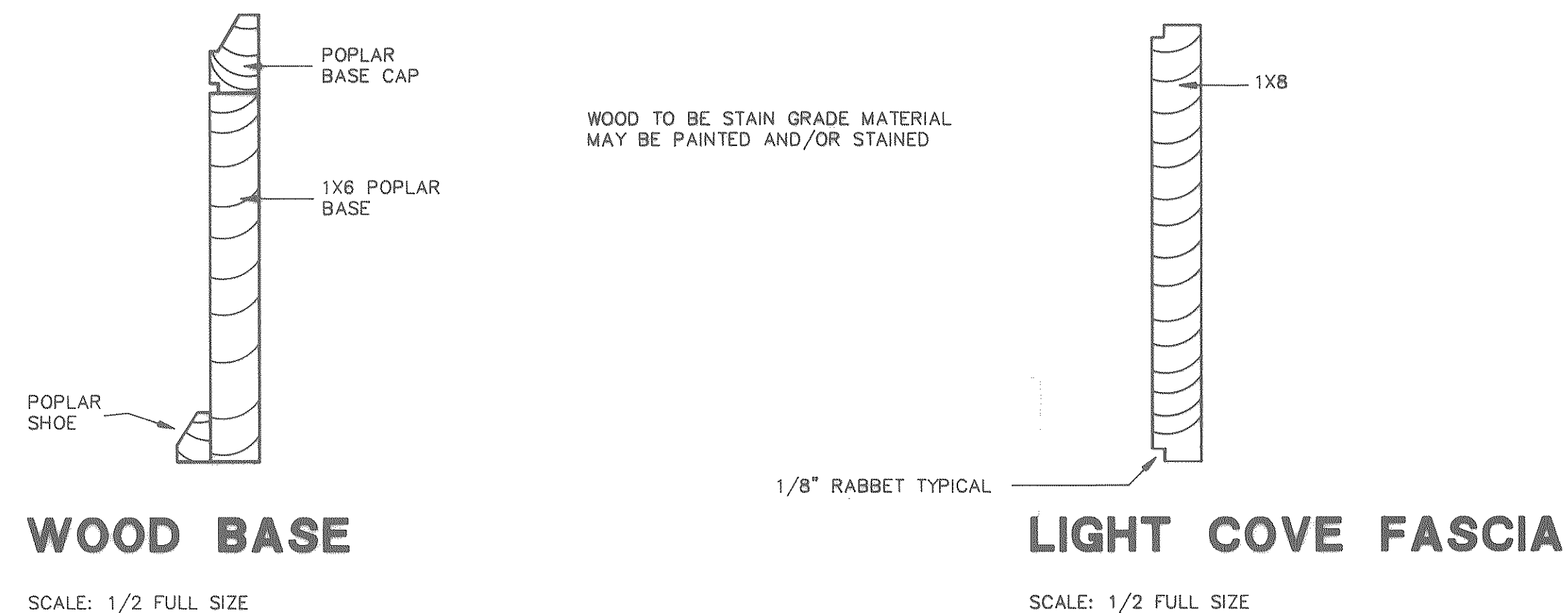
RM. NO.	ROOM NAME	FLOOR		BASE		WALLS												CEILING			WAINSCOT			DOOR & WINDOW TRIM				REMARKS
		MATERIAL	COLOR	MATERIAL	COLOR	NORTH			SOUTH			EAST			WEST			MATERIAL	HEIGHT	CORNICE	MATERIAL	MATERIAL	HEIGHT	DOOR		WINDOW		
						MATERIAL	FINISH	COLOR	MATERIAL	FINISH	COLOR	MATERIAL	FINISH	COLOR	MATERIAL	FINISH	COLOR							MATERIAL	COLOR	MATERIAL	COLOR	
153	WORKROOM	SHEET VINYL	K	VINYL	R	GYP. BD.	TYPE I V.W.C.	CC	GYP. BD.	TYPE I V.W.C.	CC	GYP. BD.	TYPE I V.W.C.	CC	GYP. BD.	TYPE I V.W.C.	CC	DESIGN TYPE I ACQUS. TILE	9'-0"				H.M. PAINTED	FFF				
154	OFFICE	TYPE I CARPET	C	VINYL	R	GYP. BD.	TYPE I V.W.C.	AA	GYP. BD.	TYPE I V.W.C.	AA	GYP. BD.	TYPE I V.W.C.	AA	GYP. BD.	TYPE I V.W.C.	AA	DESIGN TYPE I ACQUS. TILE	9'-0"				H.M. PAINTED	FFF				
155	OFFICE	TYPE I CARPET	C	VINYL	R	GYP. BD.	TYPE I V.W.C.	AA	GYP. BD.	TYPE I V.W.C.	AA	GYP. BD.	TYPE I V.W.C.	AA	GYP. BD.	TYPE I V.W.C.	AA	DESIGN TYPE I ACQUS. TILE	9'-0"				H.M. PAINTED	FFF				
156	OFFICE	TYPE I CARPET	C	VINYL	R	GYP. BD.	TYPE I V.W.C.	AA	GYP. BD.	TYPE I V.W.C.	AA	GYP. BD.	TYPE I V.W.C.	AA	GYP. BD.	TYPE I V.W.C.	AA	DESIGN TYPE I ACQUS. TILE	9'-0"				H.M. PAINTED	FFF				
157	OFFICE	TYPE I CARPET	C	VINYL	R	GYP. BD.	TYPE I V.W.C.	AA	GYP. BD.	TYPE I V.W.C.	AA	GYP. BD.	TYPE I V.W.C.	AA	GYP. BD.	TYPE I V.W.C.	AA	DESIGN TYPE I ACQUS. TILE	9'-0"				H.M. PAINTED	FFF				
158	OFFICE	TYPE I CARPET	C	VINYL	R	GYP. BD.	TYPE I V.W.C.	AA	GYP. BD.	TYPE I V.W.C.	AA	GYP. BD.	TYPE I V.W.C.	AA	GYP. BD.	TYPE I V.W.C.	AA	DESIGN TYPE I ACQUS. TILE	9'-0"				H.M. PAINTED	FFF				
159	OFFICE	TYPE I CARPET	C	VINYL	R	GYP. BD.	TYPE I V.W.C.	AA	GYP. BD.	TYPE I V.W.C.	AA	GYP. BD.	TYPE I V.W.C.	AA	GYP. BD.	TYPE I V.W.C.	AA	DESIGN TYPE I ACQUS. TILE	9'-0"				H.M. PAINTED	FFF				
160	FILE	SHEET VINYL	C	VINYL	R	GYP. BD.	TYPE I V.W.C.	AA	GYP. BD.	TYPE I V.W.C.	AA	GYP. BD.	TYPE I V.W.C.	AA	GYP. BD.	TYPE I V.W.C.	AA	DESIGN TYPE I ACQUS. TILE	9'-0"									
161	FILE	SHEET VINYL	C	VINYL	R	GYP. BD.	TYPE I V.W.C.	AA	GYP. BD.	TYPE I V.W.C.	AA	GYP. BD.	TYPE I V.W.C.	AA	GYP. BD.	TYPE I V.W.C.	AA	DESIGN TYPE I ACQUS. TILE	9'-0"									
162	OFFICE	TYPE I CARPET	C	VINYL	R	GYP. BD.	TYPE I V.W.C.	AA	GYP. BD.	TYPE I V.W.C.	AA	GYP. BD.	TYPE I V.W.C.	AA	GYP. BD.	TYPE I V.W.C.	AA	DESIGN TYPE I ACQUS. TILE	9'-0"									
163	OFFICE	TYPE I CARPET	C	VINYL	R	GYP. BD.	TYPE I V.W.C.	AA	GYP. BD.	TYPE I V.W.C.	AA	GYP. BD.	TYPE I V.W.C.	AA	GYP. BD.	TYPE I V.W.C.	AA	DESIGN TYPE I ACQUS. TILE	9'-0"									
164	OFFICE	TYPE I CARPET	C	VINYL	R	GYP. BD.	TYPE I V.W.C.	AA	GYP. BD.	TYPE I V.W.C.	AA	GYP. BD.	TYPE I V.W.C.	AA	GYP. BD.	TYPE I V.W.C.	AA	DESIGN TYPE I ACQUS. TILE	9'-0"				H.M. PAINTED	FFF				
165	OFFICE	TYPE II CARPET	E	VINYL	R	GYP. BD.	TYPE II V.W.C.	GG	GYP. BD.	TYPE II V.W.C.	GG	GYP. BD.	TYPE II V.W.C.	GG	GYP. BD./GLASS	TYPE II V.W.C.	GG	DESIGN TYPE I ACQUS. TILE	9'-0"				H.M. PAINTED	FFF	ANODIZED ALUMINUM	BRONZE		
166	OFFICE	TYPE I CARPET	C	VINYL	R	GYP. BD.	TYPE I V.W.C.	AA	GYP. BD.	TYPE I V.W.C.	AA	GYP. BD.	TYPE I V.W.C.	AA	GYP. BD./GLASS	TYPE I V.W.C.	AA	DESIGN TYPE I ACQUS. TILE	9'-0"				H.M. PAINTED	FFF	ANODIZED ALUMINUM	BRONZE		
167	GEN. OFFICE	TYPE I CARPET	A	VINYL	R	GYP. BD.	TYPE I V.W.C.	W	GYP. BD.	TYPE I V.W.C.	X	GYP. BD.	TYPE I V.W.C.	X	GYP. BD.	TYPE I V.W.C.	X	DESIGN TYPE I ACQUS. TILE	10'-0"				H.M. PAINTED	FFF				
168	STAIR	SHEET VINYL	L	VINYL	R	FACE BRICK			FACE BRICK			FACE BRICK			FACE BRICK/ GLASS							ANOD. ALUM. & H.M. PAINTED	FFF	ANODIZED ALUMINUM	BRONZE	VINYL TREADS, RISERS, STRINGERS, LANDING AND FLOOR ● RECESSED COCOA MAT @ EXT. DOOR		
169	OFFICE	TYPE I CARPET	C	VINYL	R	GYP. BD.	TYPE I V.W.C.	AA	GYP. BD.	TYPE I V.W.C.	AA	GYP. BD.	TYPE I V.W.C.	AA	GYP. BD./GLASS	TYPE I V.W.C.	AA	DESIGN TYPE I ACQUS. TILE	9'-0"				H.M. PAINTED	FFF	ANODIZED ALUMINUM	BRONZE		
170	OFFICE	TYPE II CARPET	E	VINYL	R	GYP. BD.	TYPE II V.W.C.	GG	GYP. BD./GLASS	TYPE II V.W.C.	GG	GYP. BD.	TYPE II V.W.C.	GG	GYP. BD./GLASS	TYPE II V.W.C.	GG	DESIGN TYPE I ACQUS. TILE	9'-0"				H.M. PAINTED	FFF	ANODIZED ALUMINUM	BRONZE		
171	GEN. OFFICE	TYPE I CARPET	A	VINYL	R	GYP. BD.	TYPE I V.W.C.	W	GYP. BD.	TYPE I V.W.C.	X	GYP. BD.	TYPE I V.W.C.	X	GYP. BD./GLASS	TYPE I V.W.C.	X	DESIGN TYPE I ACQUS. TILE	9'-0"				H.M. PAINTED	FFF	ANODIZED ALUMINUM	BRONZE		
172	OFFICE	TYPE II CARPET	E	VINYL	R	GYP. BD.	TYPE II V.W.C.	GG	GYP. BD./GLASS	TYPE II V.W.C.	GG	GYP. BD.	TYPE II V.W.C.	GG	GYP. BD.	TYPE II V.W.C.	GG	DESIGN TYPE I ACQUS. TILE	9'-0"				H.M. PAINTED	FFF	ANODIZED ALUMINUM	BRONZE		
173	OFFICE	TYPE I CARPET	C	VINYL	R	GYP. BD.	TYPE I V.W.C.	AA	GYP. BD./GLASS	TYPE I V.W.C.	AA	GYP. BD.	TYPE I V.W.C.	AA	GYP. BD.	TYPE I V.W.C.	AA	DESIGN TYPE I ACQUS. TILE	9'-0"				H.M. PAINTED	FFF	ANODIZED ALUMINUM	BRONZE		
174	OFFICE	TYPE I CARPET	C	VINYL	R	GYP. BD.	TYPE I V.W.C.	AA	GYP. BD.	TYPE I V.W.C.	AA	GYP. BD.	TYPE I V.W.C.	AA	GYP. BD.	TYPE I V.W.C.	AA	DESIGN TYPE I ACQUS. TILE	9'-0"				H.M. PAINTED	FFF				
175	OFFICE	TYPE I CARPET	C	VINYL	R	GYP. BD.	TYPE I V.W.C.	AA	GYP. BD.	TYPE I V.W.C.	AA	GYP. BD.	TYPE I V.W.C.	AA	GYP. BD.	TYPE I V.W.C.	AA	DESIGN TYPE I ACQUS. TILE	9'-0"				H.M. PAINTED	FFF				
176	OFFICE	TYPE I CARPET	C	VINYL	R	GYP. BD.	TYPE I V.W.C.	AA	GYP. BD.	TYPE I V.W.C.	AA	GYP. BD.	TYPE I V.W.C.	AA	GYP. BD.	TYPE I V.W.C.	AA	DESIGN TYPE I ACQUS. TILE	9'-0"				H.M. PAINTED	FFF				
177	OFFICE	TYPE I CARPET	C	VINYL	R	GYP. BD.	TYPE I V.W.C.	AA	GYP. BD.	TYPE I V.W.C.	AA	GYP. BD.	TYPE I V.W.C.	AA	GYP. BD.	TYPE I V.W.C.	AA	DESIGN TYPE I ACQUS. TILE	9'-0"				H.M. PAINTED	FFF				
178	GEN. OFFICE	TYPE I CARPET	A	VINYL	R	GYP. BD.	TYPE I V.W.C.	W	GYP. BD.	TYPE I V.W.C.	X	GYP. BD.	TYPE I V.W.C.	X	GYP. BD.	TYPE I V.W.C.	X	DESIGN TYPE I ACQUS. TILE	10'-0"				H.M. PAINTED	FFF				
179	STORAGE	SHEET VINYL	K	VINYL	R	GYP. BD.	TYPE I V.W.C.	CC	GYP. BD.	TYPE I V.W.C.	CC	GYP. BD.	TYPE I V.W.C.	CC	GYP. BD.	TYPE I V.W.C.	CC	DESIGN TYPE I ACQUS. TILE	9'-0"				H.M. PAINTED	FFF				
180	CONFERENCE	TYPE III CARPET	E (COVERED)	VINYL	R	GYP. BD.	TYPE III V.W.C.	XX	GYP. BD./GLASS	TYPE III V.W.C.	XX	GYP. BD.	TYPE III V.W.C.	XX	GYP. BD.	TYPE III V.W.C.	XX	DESIGN TYPE I ACQUS. TILE	9'-0"				H.M. PAINTED	FFF	ANODIZED ALUMINUM	BRONZE	SOUND ATTENUATING BLANKET INSULATION IN ALL WALLS	
181	WAITING	TYPE I CARPET	A	VINYL	R	GYP. BD.	TYPE I V.W.C.	X	GYP. BD.	TYPE I V.W.C.	X	GYP. BD.	TYPE I V.W.C.	X	GYP. BD.	TYPE I V.W.C.	W	DESIGN TYPE I ACQUS. TILE	9'-0"				H.M. PAINTED	FFF	ANODIZED ALUMINUM	BRONZE	SOUND ATTENUATING BLANKET INSULATION IN ALL WALLS	
182	TOILET	CERAMIC TILE	M	CERAMIC TILE	JJ	WATER RESIST. GYP. BD.	TYPE I V.W.C.	WENT/EE	WATER RESIST. GYP. BD.	TYPE I V.W.C.	WENT/EE	WATER RESIST. GYP. BD.	TYPE I V.W.C.	WENT/EE	WATER RESIST. GYP. BD.	TYPE I V.W.C.	WENT/EE	DESIGN TYPE I ACQUS. TILE	9'-0"		CERAMIC TILE	3'-4" A.F.F.	H.M. PAINTED	FFF			SOUND ATTENUATING BLANKET INSULATION IN ALL WALLS	
183	STORAGE	SHEET VINYL	K	VINYL	R	GYP. BD.	PAINT	CC	GYP. BD.	PAINT	CC	GYP. BD.	PAINT	CC	GYP. BD.	PAINT	CC	DESIGN TYPE I ACQUS. TILE	9'-0"				H.M. PAINTED	FFF				
184	OFFICE	TYPE I CARPET	C	VINYL	R	GYP. BD.	TYPE I V.W.C.	AA	GYP. BD.	TYPE I V.W.C.	AA	GYP. BD.	TYPE I V.W.C.	AA	GYP. BD.	TYPE I V.W.C.	AA	DESIGN TYPE I ACQUS. TILE	9'-0"				H.M. PAINTED	FFF				
185	EXAM	TYPE I CARPET	C	VINYL	R	GYP. BD./GLASS	TYPE I V.W.C.	AA	GYP. BD./GLASS	TYPE I V.W.C.	AA	GYP. BD.	TYPE I V.W.C.	AA	GYP. BD.	TYPE I V.W.C.	AA	DESIGN TYPE I ACQUS. TILE	9'-0"				H.M. PAINTED	FFF	ANODIZED ALUMINUM	BRONZE		
186	OBSERVATION	TYPE I CARPET	C	VINYL	R	GYP. BD./GLASS	TYPE I V.W.C.	AA	GYP. BD./GLASS	TYPE I V.W.C.	AA	GYP. BD.	TYPE I V.W.C.	AA	GYP. BD.	TYPE I V.W.C.	AA	DESIGN TYPE I ACQUS. TILE	9'-0"				H.M. PAINTED	FFF	ANODIZED ALUMINUM	BRONZE		
187	EXAM	TYPE I CARPET	C	VINYL	R	GYP. BD./GLASS	TYPE I V.W.C.	AA	GYP. BD./GLASS	TYPE I V.W.C.	AA	GYP. BD.	TYPE I V.W.C.	AA	GYP. BD.	TYPE I V.W.C.	AA	DESIGN TYPE I ACQUS. TILE	9'-0"				H.M. PAINTED	FFF	ANODIZED ALUMINUM	BRONZE		
188	CONFERENCE	TYPE I CARPET	C	VINYL	R	GYP. BD.	TYPE I V.W.C.	AA	GYP. BD./GLASS	TYPE I V.W.C.	AA	GYP. BD.	TYPE I V.W.C.	AA	GYP. BD.	TYPE I V.W.C.	AA	DESIGN TYPE I ACQUS. TILE	9'-0"				H.M. PAINTED	FFF	ANODIZED ALUMINUM	BRONZE		
189	CORRIDOR	TYPE I CARPET	A	VINYL	R	GYP. BD.	TYPE I V.W.C.	X	GYP. BD.	TYPE I V.W.C.	X	GYP. BD.	TYPE I V.W.C.	X	GYP. BD.	TYPE I V.W.C.	X	DESIGN TYPE I ACQUS. TILE	9'-0"				H.M. PAINTED	FFF				

AS-BUILT
 [Signature]
 6-26-90

 The State of South Carolina	 DEPARTMENT OF MENTAL RETARDATION	 THOMAS W. SALMON, III ARCHITECT	A & E FIRM  CARLISLE ASSOCIATES 1015 GERVAIS STREET P.O. BOX 11528 COLUMBIA, SC 29211 (803) 252-3232	SHEET TITLE FIRST FLOOR ROOM FINISH SCHEDULE	PROJECT TITLE CENTRAL OFFICE BUILDING PHASE II
DIVISION		REVISION NO. DATE BY APP. A & E PROJECT NO.		DRAWN BY CHECKED BY FINAL APP.	
STATE PROJECT NO. J16-8933		DRAWING NO. S75-A4		SHEET A4 OF 25 DATE 4/1/88	

R O O M F I N I S H S C H E D U L E

RM. NO.	ROOM NAME	FLOOR		BASE		WALLS								CEILING			WAINSCOT		DOOR & WINDOW TRIM				REMARKS				
						NORTH		SOUTH		EAST		WEST		MATERIAL	HEIGHT	CORNICHE	WAINSCOT		DOOR		WINDOW						
		MATERIAL	COLOR	MATERIAL	COLOR	MATERIAL	FINISH	COLOR	MATERIAL	FINISH	COLOR	MATERIAL	FINISH				COLOR	MATERIAL	HEIGHT	MATERIAL	HEIGHT	MATERIAL		COLOR	MATERIAL	COLOR	
253	KITCHEN	SHEET VINYL	K	VINYL	R	WATER RESIST. GYP. BOARD	TYPE I V.W.C.	DD	WATER RESIST. GYP. BOARD	TYPE I V.W.C.	DD	WATER RESIST. GYP. BOARD	TYPE I V.W.C.	DD	WATER RESIST. GYP. BOARD	TYPE I V.W.C.	DD	DESIGN TYPE I ACOUS. TILE	9'-0"				H. M. PAINTED	FFF			
254	GEN. OFFICE	TYPE I CARPET	B	VINYL	R	GYP. BOARD	TYPE I V.W.C.	Z	GYP. BOARD	TYPE I V.W.C.	Y	GYP. BOARD	TYPE I V.W.C.	Z	GYP. BOARD	TYPE I V.W.C.	Z	DESIGN TYPE I ACOUS. TILE	9'-0"				H. M. PAINTED	FFF			
255	OFFICE	TYPE II CARPET	F	VINYL	R	GYP. BOARD	TYPE II V.W.C.	FF	GYP. BOARD	TYPE II V.W.C.	FF	GYP. BOARD	TYPE II V.W.C.	FF	GYP. BOARD	TYPE II V.W.C.	FF	DESIGN TYPE I ACOUS. TILE	9'-0"				H. M. PAINTED	FFF			
256	WAITING	TYPE II CARPET	*F.P.G	WOOD	S	GYP. BOARD	TYPE III V.W.C.	UU	GYP. BOARD	TYPE III V.W.C.	UU	GYP. BOARD	TYPE III V.W.C.	UU	GYP. BOARD	TYPE III V.W.C.	UU	DESIGN TYPE IV ACOUS. TILE	9'-0"				H. M. PAINTED	FFF			*REFER TO FLOOR PLAN FOR BORDER LAYOUT.
257	OFFICE	TYPE III CARPET	G (over pad)	WOOD	S	GYP. BOARD	TYPE III V.W.C.	HH	GYP. BOARD	TYPE III V.W.C.	HH	GYP. BOARD	TYPE III V.W.C.	HH	GYP. BOARD	TYPE III V.W.C.	HH	DESIGN TYPE IV ACOUS. TILE	9'-0"				H. M. PAINTED	FFF			
258	STORAGE	SHEET VINYL	K	VINYL	R	GYP. BOARD	TYPE I V.W.C.	DD	GYP. BOARD	TYPE I V.W.C.	DD	GYP. BOARD	TYPE I V.W.C.	DD	GYP. BOARD	TYPE I V.W.C.	DD	DESIGN TYPE I ACOUS. TILE	9'-0"				H. M. PAINTED	FFF			
259	OFFICE	TYPE II CARPET	G	WOOD	S	GYP. BOARD	TYPE II V.W.C.	EEE	GYP. BOARD	TYPE II V.W.C.	EEE	GYP. BOARD	TYPE II V.W.C.	EEE	GYP. BOARD	TYPE II V.W.C.	EEE	DESIGN TYPE I ACOUS. TILE	9'-0"				H. M. PAINTED	FFF			
260	OFFICE	TYPE III CARPET	J (over pad)	WOOD	S	GYP. BOARD	TYPE III V.W.C.	HH	GYP. BOARD & GLASS	TYPE III V.W.C.	HH	GYP. BOARD	TYPE III V.W.C.	HH	GYP. BOARD	TYPE III V.W.C.	HH	DESIGN TYPE III ACOUS. TILE	9'-0"				H. M. PAINTED	FFF	ANODIZED ALUMINIUM	BRONZE	SOUND ATTENUATION BLANKET INSULATION IN ALL WALLS AND CEILING.
261	OFFICE	TYPE III CARPET	G (over pad)	WOOD	S	GYP. BOARD	TYPE III V.W.C.	HH	GYP. BOARD & GLASS	TYPE III V.W.C.	HH	GYP. BOARD	TYPE III V.W.C.	HH	GYP. BOARD	TYPE III V.W.C.	HH	DESIGN TYPE III ACOUS. TILE	9'-0"				H. M. PAINTED	FFF	ANODIZED ALUMINIUM	BRONZE	SOUND ATTENUATION BLANKET INSULATION IN ALL WALLS AND CEILING.
262	OFFICE	TYPE III CARPET	G (over pad)	WOOD	S	GYP. BOARD	TYPE III V.W.C.	HH	GYP. BOARD & GLASS	TYPE III V.W.C.	HH	GYP. BOARD	TYPE III V.W.C.	HH	GYP. BOARD	TYPE III V.W.C.	HH	DESIGN TYPE III ACOUS. TILE	9'-0"				H. M. PAINTED	FFF	ANODIZED ALUMINIUM	BRONZE	SOUND ATTENUATION BLANKET INSULATION IN ALL WALLS AND CEILING.
263	OFFICE	TYPE III CARPET	F (over pad)	WOOD	S	GYP. BOARD	TYPE IV V.W.C.	TT	GYP. BOARD & GLASS	TYPE IV V.W.C.	TT	GYP. BOARD	TYPE IV V.W.C.	TT	GYP. BOARD	TYPE IV V.W.C.	TT	DESIGN TYPE IV ACOUS. TILE	9'-0"/11'-0"	LIGHT COVE DEE DETAIL			H. M. PAINTED	FFF	ANODIZED ALUMINIUM	BRONZE	SOUND ATTENUATION BLANKET INSULATION IN ALL WALLS AND CEILING. - COFFERED CEILING
264	TOILET	CERAMIC TILE	M	CERAMIC	OC	WATER RESIST. GYP. BOARD	TYPE I V.W.C.	ZZ	WATER RESIST. GYP. BOARD	TYPE I V.W.C.	ZZ	WATER RESIST. GYP. BOARD	TYPE I V.W.C.	ZZ	WATER RESIST. GYP. BOARD	TYPE I V.W.C.	ZZ	DESIGN TYPE I ACOUS. TILE	9'-0"				H. M. PAINTED	FFF	ANODIZED ALUMINIUM	BRONZE	SOUND ATTENUATION BLANKET INSULATION IN ALL WALLS AND CEILING.
265	OFFICE	TYPE II CARPET	J	WOOD	S	GYP. BOARD	TYPE II V.W.C.	EEE	GYP. BOARD	TYPE II V.W.C.	EEE	GYP. BOARD	TYPE II V.W.C.	EEE	GYP. BOARD	TYPE II V.W.C.	EEE	DESIGN TYPE I ACOUS. TILE	9'-0"				H. M. PAINTED	FFF	ANODIZED ALUMINIUM	BRONZE	
266	WORK ROOM	SHEET VINYL	K	VINYL	R	WATER RESIST. GYP. BOARD	TYPE I V.W.C.	DD	GYP. BOARD	TYPE I V.W.C.	DD	GYP. BOARD	TYPE I V.W.C.	DD	GYP. BOARD	TYPE I V.W.C.	DD	DESIGN TYPE I ACOUS. TILE	9'-0"				H. M. PAINTED	FFF	ANODIZED ALUMINIUM	BRONZE	
267	OFFICE	TYPE II CARPET	G	WOOD	S	GYP. BOARD	TYPE II V.W.C.	EEE	GYP. BOARD	TYPE II V.W.C.	EEE	GYP. BOARD	TYPE II V.W.C.	EEE	GYP. BOARD	TYPE II V.W.C.	EEE	DESIGN TYPE I ACOUS. TILE	9'-0"				H. M. PAINTED	FFF			
268	GEN. OFFICE	TYPE II CARPET	*F.P.G	WOOD	S	GYP. BOARD	TYPE I V.W.C.	UU	GYP. BOARD	TYPE I V.W.C.	UU	GYP. BOARD	TYPE I V.W.C.	UU	GYP. BOARD	TYPE I V.W.C.	UU	DESIGN TYPE I ACOUS. TILE	9'-0"/10'-0"				H. M. PAINTED	FFF			*REFER TO FLOOR PLAN FOR BORDER LAYOUT.
269	STAIR	SHEET VINYL	L	VINYL	R	FACE BRICK			FACE BRICK			FACE BRICK			FACE BRICK			DESIGN TYPE I-R ACOUS. TILE	9'-0"				H. M. PAINTED	FFF	ANODIZED ALUMINIUM	BRONZE	VINYL TREADS, RISERS, STRINGERS, FLOOR & LANDING
270	OFFICE	TYPE I CARPET	C	VINYL	R	GYP. BOARD	TYPE I V.W.C.	BB	GYP. BOARD	TYPE I V.W.C.	BB	GYP. BOARD	TYPE I V.W.C.	BB	GYP. BOARD	TYPE I V.W.C.	BB	DESIGN TYPE I ACOUS. TILE	9'-0"				H. M. PAINTED	FFF	ANODIZED ALUMINIUM	BRONZE	
271	OFFICE	TYPE I CARPET	C	VINYL	R	GYP. BOARD	TYPE I V.W.C.	BB	GYP. BOARD	TYPE I V.W.C.	BB	GYP. BOARD	TYPE I V.W.C.	BB	GYP. BOARD	TYPE I V.W.C.	BB	DESIGN TYPE I ACOUS. TILE	9'-0"				H. M. PAINTED	FFF	ANODIZED ALUMINIUM	BRONZE	
272	OFFICE	TYPE III CARPET	F (over pad)	VINYL	R	GYP. BOARD & GLASS	TYPE III V.W.C.	FF	GYP. BOARD	TYPE III V.W.C.	FF	GYP. BOARD	TYPE III V.W.C.	FF	GYP. BOARD	TYPE III V.W.C.	FF	DESIGN TYPE I ACOUS. TILE	9'-0"				H. M. PAINTED	FFF	ANODIZED ALUMINIUM	BRONZE	
273	OFFICE	TYPE I CARPET	C	VINYL	R	GYP. BOARD & GLASS	TYPE I V.W.C.	BB	GYP. BOARD	TYPE I V.W.C.	BB	GYP. BOARD	TYPE I V.W.C.	BB	GYP. BOARD	TYPE I V.W.C.	BB	DESIGN TYPE I ACOUS. TILE	9'-0"				H. M. PAINTED	FFF	ANODIZED ALUMINIUM	BRONZE	
274	OFFICE	TYPE I CARPET	C	VINYL	R	GYP. BOARD & GLASS	TYPE II V.W.C.	BB	GYP. BOARD	TYPE II V.W.C.	BB	GYP. BOARD	TYPE II V.W.C.	BB	GYP. BOARD	TYPE II V.W.C.	BB	DESIGN TYPE I ACOUS. TILE	9'-0"				H. M. PAINTED	FFF	ANODIZED ALUMINIUM	BRONZE	
275	OFFICE	TYPE II CARPET	F	VINYL	R	GYP. BOARD & GLASS	TYPE II V.W.C.	BB	GYP. BOARD	TYPE II V.W.C.	BB	GYP. BOARD	TYPE II V.W.C.	BB	GYP. BOARD	TYPE II V.W.C.	BB	DESIGN TYPE I ACOUS. TILE	9'-0"				H. M. PAINTED	FFF	ANODIZED ALUMINIUM	BRONZE	
276	OFFICE	TYPE I CARPET	C	VINYL	R	GYP. BOARD & GLASS	TYPE II V.W.C.	BB	GYP. BOARD	TYPE II V.W.C.	BB	GYP. BOARD	TYPE II V.W.C.	BB	GYP. BOARD	TYPE II V.W.C.	BB	DESIGN TYPE I ACOUS. TILE	9'-0"				H. M. PAINTED	FFF	ANODIZED ALUMINIUM	BRONZE	
277	OFFICE	TYPE I CARPET	C	VINYL	R	GYP. BOARD & GLASS	TYPE I V.W.C.	BB	GYP. BOARD	TYPE I V.W.C.	BB	GYP. BOARD	TYPE I V.W.C.	BB	GYP. BOARD	TYPE I V.W.C.	BB	DESIGN TYPE I ACOUS. TILE	9'-0"				H. M. PAINTED	FFF	ANODIZED ALUMINIUM	BRONZE	
278	OFFICE	TYPE I CARPET	C	VINYL	R	GYP. BOARD & GLASS	TYPE II V.W.C.	BB	GYP. BOARD	TYPE II V.W.C.	BB	GYP. BOARD	TYPE II V.W.C.	BB	GYP. BOARD	TYPE II V.W.C.	BB	DESIGN TYPE I ACOUS. TILE	9'-0"				H. M. PAINTED	FFF	ANODIZED ALUMINIUM	BRONZE	
279	OFFICE	TYPE I CARPET	C	VINYL	R	GYP. BOARD & GLASS	TYPE I V.W.C.	BB	GYP. BOARD	TYPE I V.W.C.	BB	GYP. BOARD	TYPE I V.W.C.	BB	GYP. BOARD	TYPE I V.W.C.	BB	DESIGN TYPE I ACOUS. TILE	9'-0"				H. M. PAINTED	FFF	ANODIZED ALUMINIUM	BRONZE	
280	OFFICE	TYPE III CARPET	F (over pad)	VINYL	R	GYP. BOARD	TYPE III V.W.C.	FF	GYP. BOARD	TYPE III V.W.C.	FF	GYP. BOARD	TYPE III V.W.C.	FF	GYP. BOARD	TYPE III V.W.C.	FF	DESIGN TYPE I ACOUS. TILE	9'-0"				H. M. PAINTED	FFF	ANODIZED ALUMINIUM	BRONZE	
281	OFFICE	TYPE I CARPET	C	VINYL	R	GYP. BOARD	TYPE I V.W.C.	BB	GYP. BOARD	TYPE I V.W.C.	BB	GYP. BOARD	TYPE I V.W.C.	BB	GYP. BOARD	TYPE I V.W.C.	BB	DESIGN TYPE I ACOUS. TILE	9'-0"				H. M. PAINTED	FFF	ANODIZED ALUMINIUM	BRONZE	
282	OFFICE	TYPE I CARPET	C	VINYL	R	GYP. BOARD	TYPE I V.W.C.	BB	GYP. BOARD	TYPE I V.W.C.	BB	GYP. BOARD	TYPE I V.W.C.	BB	GYP. BOARD	TYPE I V.W.C.	BB	DESIGN TYPE I ACOUS. TILE	9'-0"				H. M. PAINTED	FFF	ANODIZED ALUMINIUM	BRONZE	
283	LIBRARY	TYPE I CARPET	C	VINYL	R	GYP. BOARD	TYPE I V.W.C.	BB	GYP. BOARD	TYPE I V.W.C.	BB	GYP. BOARD	TYPE I V.W.C.	BB	GYP. BOARD	TYPE I V.W.C.	BB	DESIGN TYPE I ACOUS. TILE	9'-0"				H. M. PAINTED	FFF	ANODIZED ALUMINIUM	BRONZE	
284	OFFICE	TYPE I CARPET	C	VINYL	R	GYP. BOARD	TYPE I V.W.C.	BB	GYP. BOARD	TYPE I V.W.C.	BB	GYP. BOARD	TYPE I V.W.C.	BB	GYP. BOARD	TYPE I V.W.C.	BB	DESIGN TYPE I ACOUS. TILE	9'-0"				H. M. PAINTED	FFF	ANODIZED ALUMINIUM	BRONZE	
285	OFFICE	TYPE I CARPET	C	VINYL	R	GYP. BOARD	TYPE I V.W.C.	BB	GYP. BOARD	TYPE I V.W.C.	BB	GYP. BOARD	TYPE I V.W.C.	BB	GYP. BOARD	TYPE I V.W.C.	BB	DESIGN TYPE I ACOUS. TILE	9'-0"				H. M. PAINTED	FFF	ANODIZED ALUMINIUM	BRONZE	
286	OFFICE	TYPE I CARPET	C	VINYL	R	GYP. BOARD	TYPE I V.W.C.	BB	GYP. BOARD	TYPE I V.W.C.	BB	GYP. BOARD	TYPE I V.W.C.	BB	GYP. BOARD	TYPE I V.W.C.	BB	DESIGN TYPE I ACOUS. TILE	9'-0"				H. M. PAINTED	FFF	ANODIZED ALUMINIUM	BRONZE	
287	GEN. OFFICE	TYPE I CARPET	B	VINYL	R	GYP. BOARD	TYPE I V.W.C.	Y	GYP. BOARD	TYPE I V.W.C.	Z	GYP. BOARD	TYPE I V.W.C.	Z	GYP. BOARD	TYPE I V.W.C.	Z	DESIGN TYPE I ACOUS. TILE	9'-0"/10'-0"				H. M. PAINTED	FFF			
-	ELEVATOR	TYPE II	P																								



AS-BUILT

Paul Kelly 6-26-90

 The State of South Carolina	AGENCY OR INSTITUTION DEPARTMENT OF MENTAL RETARDATION	PROFESSIONAL SEAL 	A & E FIRM CARLISLE ASSOCIATES 1015 GERVAIS STREET P.O. BOX 11528 COLUMBIA, SC 29211 (803) 252-3232	SHEET TITLE SECOND FLOOR ROOM FINISH SCHEDULE	PROJECT TITLE CENTRAL OFFICE BUILDING PHASE II
	DIVISION	REVISION NO. DATE BY APP.	A & E PROJECT NO.	DRAWN BY CHECKED BY FINAL APP.	STATE PROJECT NO. J16-8933 DRAWING NO. S75-A6 DATE 4/1/88 SHEET A6 OF 25

FLOORCOVERING KEY

CODE	DESCRIPTION
A	Bentley Carpet Mills: West End, Winfield #WS325-687 (32 ounce, Textured level loop, 12' wide, Dupont Antron Nylon).
B	Bentley Carpet Mills: West End, Huntley, #WS325-691 (32 ounce, Textured level loop, 12' wide, Dupont Antron Nylon).
C	Bentley Carpet Mills: Covington II Mushroom #CV302-326 (30 ounce dense cut pile plush, 12' wide, Dupont Antron CF Nylon).
D	Milliken Carpet: Glentone, #3517, #6 Smoke/Multi (30 ounce, 18"x18" carpet tile, bonded cut pile, Antron XL Nylon).
E	Bentley Carpet Mills: King's Road II, Versailles, #422-822 (42 ounce, dense cut pile plush, 12' wide, Dupont Antron III Nylon).
F	Bentley Carpet Mills: King's Road II, Bahama #422-766 (42 ounce dense cut pile plush, 12' wide, Dupont Antron III Nylon).
G	Bentley Carpet Mills: King's Road III, Chinchilla, #423-240 (42 ounce dense cut pile plush, 12' wide, Dupont Antron III Nylon).
H	Bentley Carpet Mills: Milano Palazzo, #ML482-147 (48 ounce, cut and loop, 12' wide, Dupont Antron III Nylon).
I	Crossville Ceramics: 12"x12" unglazed Paver Tiles: Genesis (unpolished) Graphite, #C850.
J	Crossville Ceramics: 12"x12" unglazed Paver Tiles: Genesis (unpolished) Windsurf, #C593.
K	Armstrong World Industries Sheet Vinyl: Classic Corlon: Suffolk, Sandstone, #86903.
L	Armstrong World Industries Sheet Vinyl Classic Corlon: Seagate, Almond, #86522.
M	American Olean Tile: 2"x2" Ceramic Floor Tile: Ceramic Mosaics: Sterling Silver, #A32.
N	American Olean Tile: 2"x2" Ceramic Floor Tile: Ceramic Mosaics: White, #A13.
O	Computer Access Flooring: Beige Matrix
P	Bentley Carpet Mills: King's Road II, Steel Blue, #422-755 (42 ounce dense cut pile plush, 12' wide, Dupont Antron III Nylon)
Q	Painted Concrete: Sherwin Williams: BM40-28
R	Mercer: Vinyl Wall Base #208 (Treads, risers and skirting to match)
S	Miniwax Stain for Wood Base: Special Mix of Special Walnut #224 and Red Mahogany #225 (Consult Design Firm)

WALLCOVERING KEY

T	Essex: Elmwood: Alabaster #SE10-163 (Type 1, Class A)
U	Essex: Elmwood: Gunmetal #SE10166 (Type 1, Class A)
V	Essex: Elmwood: Yew #SE10-126 (Type 1, Class A)
W	Essex: Brentford: Cadet #SE-06-50 (Type 1, Class A)
X	Essex: Brentford: Haze #SE-06-52 (Type 1, Class A)
Y	Essex: Brentford: Atmosphere #SE-06-55 (Type 1, Class A)
Z	Essex: Brentford: Mist #SE-06-02 (Type 1, Class A)
AA	Olney: Boltawall: Suiting: Blue #BA-SU-06 (Type 1, Class A)
BB	Olney: Boltawall: Suiting: Taupe #BA-SU-12 (Type 1, Class A)
CC	Essex: Barnstead #SX9351 (Type 1, Class A)
DD	Essex: Barnstead #SX7846 (Type 1, Class A)
EE	Essex: Tiffany: Silver Lining: SE-34-17 (Type 1, Class A)
FF	Vicrete: Stonington: Mint Julip (Type II)
GG	Vicrete: Stonington: Blue Ice (Type II)
HH	Essex: Inverie: #BA-NV-37 Opal (Type 1, Class A)
II	Essex: Cornwall, Convert Gray #SP-28-15 (Type II, Class A)
JJ	Essex: Cornwall: Ocean Gray #SP-28-04 (Type II, Class A)
KK	Boltatex: Momentum: Interchange #BT-0218 (Type 1, Class A)
LL	Boltatex: Momentum: Interchange: #BT0203 (Type 1, Class A)
MM	B.F. Goodrich Textile Wallcovering: Warp Lays: Zabaglione #5202-10 (Class A & Scotchguard).
NN	4 1/4"x4 1/4" Ceramic Tile: American Olean Tile: Ceramic Mosaics/Satinglo: #05 Polar White
OO	4 1/4"x4 1/4" Ceramic Tile: American Olean tile: Ceramic Mosaics/Bright and Matte: #80 Sterling Silver
PP	4 1/4"x4 1/4" Ceramic Tile: American Olean Tile: Glazed Tile/Crystalline: #356 Misty Rose
QQ	4 1/4"x4 1/4" Ceramic Tile: American Olean Tile: Ceramic Mosaics/Bright and Matte: #04 Blue Dawn
RR	4 1/4"x4 1/4" Ceramic Tile: American Olean Tile: Glazed Tile/Crystalline: #345 Cobalt
SS	4 1/4"x4 1/4" Ceramic Tile: American Olean Tile: Ceramic Mosaics/Bright and Matte: #68 Misty
TT	Essex: Hollister: Shadow: #SP-14-08 (Type II, Class A)
UU	Essex: Cateret: #SP-16-03 (Type II, Class A)
VV	Sherwin Williams Paint: #BM40-26
WW	Sherwin Williams Paint: #SW1094: Kestrel White
XX	Seabrook Wallcovering: #854AE-5031 (Textile Wallcovering)
YY	Maharam Vertical Surfaces: Tek-Wall 4000: #81 Seaside/Smoke (100% Polyolefin, acrylic backed)
ZZ	Essex: Elmwood: Light Teal: #SE10-34 (Type 1, Class A)
AAA	Essex Henderson: Sandstone: #SE-13-07 (Type 1, Class A)
BBB	Essex: Barnstead: #SX9303 (Type 1, Class A)
CCC	Bolatex: Dimension: #BT0483 (Type 1, Class A)
DDD	Maharam Vertical Surfaces-Tekwall 1000 #02 Seaside (100% Polyolefin, Acrylic Backed)
EEE	Sunwall: Bentley: #S-2564 (Type 1, Class A)
FFF	Painted Trim: Sherwin Williams: #SW1030: Sculpture Gray

Seabrook: Distributed by: Seabrook Wallcovering
 Contact: Ray Hamm
 1-800-238-9152

Maharam: Distributed by: Maharam Vertical Surfaces
 Contact: Gordon Elkins
 (404) 231-8591
 1-800-645-3943

Sunwall: Distributed by: Sunwall
 Contact: Ernie Bussells
 1-404-447-5212
 1-800-523-8006

Essex Distributed by: Brewster Wallcovering
 Contact: Glenn Harrison, Sales Representative
 (803) 268-4087
 1-800-347-5225

Boltawall and Boltatex: Distributed by Olney Wallcovering
 Contact: Karen Miller, Sales Representative
 (803) 254-4002
 1-800-922-9650

Vicrete: Distributed by Vicrete, Inc.
 Contact: Ralph Latham
 (404) 351-8220
 1-800-241-8508

B.F. Goodrich: Distributed by: Capital-ASAM Wallcovering
 Contact: Tony Gil'espe
 1-800-632-0248

AS-BUILT
John Kelly 6-26-90

DEPARTMENT OF MENTAL RETARDATION	
CENTRAL OFFICE BLDG.	SCALE: AS SHOWN
DRAWN BY: ASI	
REVIEWED:	
FINISH SCHEDULE KEY	
DATE: 11/16/89	DRAWING NUMBER: 11COPRESUMMIT DESIGNING AGA

DOOR SCHEDULE HARDWARE SCHEDULE

NO.	DOOR				GLASS	DOOR TYPE	FRAME SECT.	FINISH	REMARKS	FINISH	SWING	HINGES	LOCKSET	STOPS	CLOSER	MISCELLANEOUS	REMARKS	
	WIDE	HIGH	THICK	MATL.														
101	3'-0"	7'-0"	1 3/4"	ALUM. GLASS	1/4" PL TEMP.	A	11	ANOD.		BRONZE	RHRA LHR	BY DOOR MFGR.	2 RUSSWIN CYLINDERS		BY DOOR MFGR.	THRESHOLD BY DOOR MFGR.		
102	3'-0"	7'-0"	1 3/4"	ALUM. GLASS	1/4" PL TEMP.	B	9	ANOD.		BRONZE	RH	BY DOOR MFGR.	2 RUSSWIN CYLINDERS		BY DOOR MFGR.	THRESHOLD BY DOOR MFGR.		
103	3'-0"	7'-0"	1 3/4"	ALUM. GLASS	1/4" PL TEMP.	B	1	ANOD.		BRONZE	LHR	BY DOOR MFGR.	2 RUSSWIN CYLINDERS		BY DOOR MFGR.	THRESHOLD BY DOOR MFGR.		
104	3'-0"	7'-0"	1 3/4"	ALUM. GLASS	1/4" PL TEMP.	B	1	ANOD.		BRONZE	LHR	BY DOOR MFGR.	2 RUSSWIN CYLINDERS		BY DOOR MFGR.	THRESHOLD BY DOOR MFGR.		
105	3'-0"	6'-8"	1 3/4"	WOOD	NONE	C	3	STAIN		US26	LH	STANLEY F179	1 1/2" RUSSWIN 4320	IVES 407 1/2"		KICKPLATE	SILENCERS	
106	3'-0"	6'-8"	1 3/4"	WOOD	NONE	C	3	STAIN		US26	LH	STANLEY F179 + 1/2X4 1/2"	1 1/2" RUSSWIN 4340	IVES 407 1/2"			SILENCERS	
107	3'-0"	6'-8"	1 3/4"	WOOD	NONE	C	3	STAIN		US26	RH	STANLEY FBB179	1 1/2" RUSSWIN 4340	IVES 407 1/2"	RUSSWIN 2820	KICKPLATE	SILENCERS	
108	3'-0"	6'-8"	1 3/4"	WOOD	NONE	C	3	STAIN		US26	RH	STANLEY F179 + 1/2X4 1/2"	1 1/2" RUSSWIN 4340	IVES 407 1/2"			SILENCERS	
109	3'-0"	6'-8"	1 3/4"	WOOD	NONE	C	3	STAIN		US26	RH	STANLEY F179	1 1/2" RUSSWIN 4320	IVES 407 1/2"			SILENCERS	
110	3'-0"	6'-8"	1 3/4"	WOOD	NONE	C	3	STAIN		US26	RH	STANLEY F179	1 1/2" RUSSWIN 4320	IVES 407 1/2"			SILENCERS	
111	3'-0"	6'-8"	1 3/4"	WOOD	NONE	C	3	STAIN		US26	LH	STANLEY F179	1 1/2" RUSSWIN 4320	IVES 407 1/2"			SILENCERS	
112	3'-0"	6'-8"	1 3/4"	WOOD	NONE	C	3	STAIN		US26	LH	STANLEY F179	1 1/2" RUSSWIN 4320	IVES 407 1/2"			SILENCERS	
113	3'-0"	6'-8"	1 3/4"	WOOD	NONE	C	3	STAIN	3/4 HR. C LABEL	US26	RH	STANLEY 2060 FBB179 + 1/2X4 1/2"	1 1/2" RUSSWIN 4340	IVES 407 1/2"		KICKPLATE	SILENCERS	
114	3'-0"	6'-8"	1 3/4"	WOOD	NONE	C	3	STAIN		US26	LH	STANLEY F179 + 1/2X4 1/2"	1 1/2" RUSSWIN 4340	IVES 407 1/2"			SILENCERS	
115	3'-0"	6'-8"	1 3/4"	WOOD	NONE	C	3	STAIN		US26	RH	STANLEY F179 + 1/2X4 1/2"	1 1/2" RUSSWIN 4340	IVES 407 1/2"			SILENCERS	
116	3'-0"	6'-8"	1 3/4"	WOOD	NONE	C	3	STAIN		US26	RH	STANLEY F179 + 1/2X4 1/2"	1 1/2" RUSSWIN 4340	IVES 407 1/2"			SILENCERS	
117	3'-0"	6'-8"	1 3/4"	WOOD	NONE	C	3	STAIN		US26	LH	STANLEY F179 + 1/2X4 1/2"	1 1/2" RUSSWIN 4340	IVES 407 1/2"			SILENCERS	
118	3'-0"	6'-8"	1 3/4"	WOOD	NONE	C	3	STAIN	3/4 HR. C LABEL	US26	RH	STANLEY 2060 FBB179	1 1/2" RUSSWIN 4340	IVES 407 1/2"			SILENCERS	
119	3'-0"	6'-8"	1 3/4"	WOOD	NONE	C	3	STAIN		US26	LH	STANLEY F179 + 1/2X4 1/2"	1 1/2" RUSSWIN 4340	IVES 407 1/2"			SILENCERS	
120	3'-0"	6'-8"	1 3/4"	WOOD	NONE	C	3	STAIN		US26	LH	STANLEY F179 + 1/2X4 1/2"	1 1/2" RUSSWIN 4340	IVES 407 1/2"			SILENCERS	
121	3'-0"	6'-8"	1 3/4"	WOOD	NONE	C	3	STAIN		US26	LH	STANLEY F179 + 1/2X4 1/2"	1 1/2" RUSSWIN 4340	IVES 407 1/2"			SILENCERS	
122	3'-0"	6'-8"	1 3/4"	WOOD	NONE	C	3	STAIN		US26	RH	STANLEY F179 + 1/2X4 1/2"	1 1/2" RUSSWIN 4340	IVES 407 1/2"			SILENCERS	
123	3'-0"	6'-8"	1 3/4"	WOOD	NONE	C	3	STAIN		US26	LH	STANLEY F179 + 1/2X4 1/2"	1 1/2" RUSSWIN 4340	IVES 407 1/2"			SILENCERS	
124	3'-0"	6'-8"	1 3/4"	WOOD	NONE	C	3	STAIN		US26	RH	STANLEY F179 + 1/2X4 1/2"	1 1/2" RUSSWIN 4340	IVES 407 1/2"			SILENCERS	
125	3'-0"	6'-8"	1 3/4"	WOOD	NONE	C	3	STAIN		US26	LH	STANLEY F179 + 1/2X4 1/2"	1 1/2" RUSSWIN 4340	IVES 407 1/2"			SILENCERS	
126	3'-0"	6'-8"	1 3/4"	WOOD	NONE	C	3	STAIN		US26	RH	STANLEY F179 + 1/2X4 1/2"	1 1/2" RUSSWIN 4340	IVES 407 1/2"			SILENCERS	
127	3'-0"	6'-8"	1 3/4"	WOOD	NONE	C	3	STAIN		US26	LH	STANLEY F179 + 1/2X4 1/2"	1 1/2" RUSSWIN 4340	IVES 407 1/2"			SILENCERS	
128	3'-0"	6'-8"	1 3/4"	WOOD	NONE	C	3	STAIN		US26	LH	STANLEY F179 + 1/2X4 1/2"	1 1/2" RUSSWIN 4340	IVES 407 1/2"			SILENCERS	
129	3'-0"	6'-8"	1 3/4"	WOOD	NONE	C	3	STAIN		US26	RH	STANLEY F179 + 1/2X4 1/2"	1 1/2" RUSSWIN 4340	IVES 407 1/2"			SILENCERS	
130	3'-0"	6'-8"	1 3/4"	WOOD	NONE	C	3	STAIN		US26	LH	STANLEY F179 + 1/2X4 1/2"	1 1/2" RUSSWIN 4340	IVES 407 1/2"			SILENCERS	
131	3'-0"	6'-8"	1 3/4"	WOOD	NONE	C	3	STAIN		US26	LH	STANLEY F179 + 1/2X4 1/2"	1 1/2" RUSSWIN 4340	IVES 407 1/2"			SILENCERS	
132	3'-0"	6'-8"	1 3/4"	WOOD	NONE	C	3	STAIN		US26	RH	STANLEY F179 + 1/2X4 1/2"	1 1/2" RUSSWIN 4340	IVES 407 1/2"			SILENCERS	
133	3'-0"	6'-8"	1 3/4"	WOOD	NONE	C	3	STAIN	3/4 HR. C LABEL	US26	LH	STANLEY 2060 FBB179	1 1/2" RUSSWIN 4340	IVES 407 1/2"		KICKPLATE	SILENCERS	
134	3'-0"	6'-8"	1 3/4"	WOOD	NONE	C	3	STAIN	3/4 HR. C LABEL	US26	RH	STANLEY 2060 FBB179	1 1/2" RUSSWIN 4340	IVES 407 1/2"		KICKPLATE	SILENCERS	
135	3'-0"	6'-8"	1 3/4"	H.M.	NONE	C	5	PAINT	1 HR. B LABEL	US26	RH	STANLEY FBB179	1 1/2" RUSSWIN-692NL	IVES 407 1/2"	RUSSWIN 2820	KICKPLATE	SILENCERS	
136	3'-0"	6'-8"	1 3/4"	WOOD	NONE	C	3	STAIN	3/4 HR. C LABEL	US26	LHR	STANLEY 2060 FBB179	1 1/2" RUSSWIN 4340	IVES 407 1/2"		KICKPLATE	SILENCERS	
137	3'-0"	6'-8"	1 3/4"	WOOD	NONE	C	3	STAIN		US26	LH	STANLEY F179 + 1/2X4 1/2"	1 1/2" RUSSWIN 4340	IVES 407 1/2"			SILENCERS	
138	3'-0"	6'-8"	1 3/4"	WOOD	NONE	C	3	STAIN		US26	LH	STANLEY F179 + 1/2X4 1/2"	1 1/2" RUSSWIN 4340	IVES 407 1/2"			SILENCERS	
139	3'-0"	6'-8"	1 3/4"	WOOD	NONE	C	3	STAIN		US26	LH	STANLEY F179 + 1/2X4 1/2"	1 1/2" RUSSWIN 4340	IVES 407 1/2"			SILENCERS	
140	3'-0"	6'-8"	1 3/4"	WOOD	NONE	C	3	STAIN		US26	RH	STANLEY F179 + 1/2X4 1/2"	1 1/2" RUSSWIN 4340	IVES 407 1/2"			SILENCERS	
141	3'-0"	6'-8"	1 3/4"	WOOD	NONE	C	3	STAIN		US26	LH	STANLEY F179 + 1/2X4 1/2"	1 1/2" RUSSWIN 4340	IVES 407 1/2"			SILENCERS	
142	3'-0"	6'-8"	1 3/4"	WOOD	NONE	C	3	STAIN		US26	RH	STANLEY F179 + 1/2X4 1/2"	1 1/2" RUSSWIN 4340	IVES 407 1/2"			SILENCERS	
143	3'-0"	6'-8"	1 3/4"	WOOD	NONE	C	3	STAIN		US26	LH	STANLEY F179 + 1/2X4 1/2"	1 1/2" RUSSWIN 4340	IVES 407 1/2"		SOUND SEAL PEMKO S88D	SILENCERS	
144	3'-0"	6'-8"	1 3/4"	WOOD	NONE	C	3	STAIN	3/4 HR. C LABEL	US26	LHR	STANLEY 2060 FBB179	1 1/2" RUSSWIN 4340	IVES 407 1/2"		KICKPLATE	SILENCERS	
145	3'-0"	6'-8"	1 3/4"	WOOD	NONE	C	3	STAIN	3/4 HR. C LABEL	US26	RH	STANLEY 2060 FBB179	1 1/2" RUSSWIN 4340	IVES 407 1/2"		KICKPLATE	SILENCERS	
146	3'-0"	6'-8"	1 3/4"	WOOD	NONE	C	3	STAIN	3/4 HR. C LABEL	US26	LH	STANLEY 2060 FBB179	1 1/2" RUSSWIN 4340	IVES 407 1/2"		KICKPLATE	SILENCERS	
147	3'-0"	6'-8"	1 3/4"	WOOD	NONE	C	3	STAIN	3/4 HR. C LABEL	US26	LH	STANLEY 2060 FBB179	1 1/2" RUSSWIN 4340	IVES 407 1/2"		KICKPLATE	SILENCERS	
148	3'-0"	6'-8"	1 3/4"	WOOD	NONE	C	3	STAIN	3/4 HR. C LABEL	US26	RH	STANLEY 2060 FBB179	1 1/2" RUSSWIN 4340	IVES 407 1/2"		KICKPLATE	SILENCERS	
149	3'-0" PAIR	6'-8"	1 3/4"	WOOD	NONE	D	8	STAIN	3/4 HR. C LABEL	US26	RHA LHR	STANLEY FBB179	3" RUSSWIN 4340	IVES 407 1/2"	RUSSWIN 2820 (PAIR)	AUTO. FLUSHBOLTS 556 DOOR COORD. 900 SERIES	SOUND SEALS S88D	SILENCERS
150	3'-0"	6'-8"	1 3/4"	WOOD	NONE	C	3	STAIN		US26	RH	STANLEY F179 + 1/2X4 1/2"	1 1/2" RUSSWIN 4340	IVES 407 1/2"			SILENCERS	
151	3'-0"	6'-8"	1 3/4"	WOOD	NONE	C	3	STAIN		US26	LH	STANLEY F179 + 1/2X4 1/2"	1 1/2" RUSSWIN 4340	IVES 407 1/2"			SILENCERS	
152	3'-0"	6'-8"	1 3/4"	WOOD	NONE	C	3	STAIN		US26	LH	STANLEY F179 + 1/2X4 1/2"	1 1/2" RUSSWIN 4340	IVES 407 1/2"			SILENCERS	
153	3'-0"	6'-8"	1 3/4"	WOOD	NONE	C	3	STAIN		US26	RH	STANLEY F179 + 1/2X4 1/2"	1 1/2" RUSSWIN 4340	IVES 407 1/2"		SOUND SEAL PEMKO S88D	SILENCERS	
154	6'-8" MASONRY OPG.	7'-4"															PROVIDE MASONRY OPENING & LINTEL OF SIZE INDICATED FOR FUTURE DOOR - FILL M.O. LIKE WALL CONSTRUCTION.	
155	3'-0"	6'-8"	1 3/4"	H.M.	NONE	C	6	PAINT		US26	RH	STANLEY FBB179	1 1/2" RUSSWIN 4352	IVES 407 1/2"	RUSSWIN 2820	KICKPLATE	SILENCERS	

* HARDWARE MANUFACTURERS AND CATALOG NUMBERS INDICATED ABOVE ARE LISTED TO SET STANDARDS OF QUALITY, FUNCTION, MINIMUM QUANTITIES, SIZE, ETC. - SEE PROJECT MANUAL FOR CONDITIONS FOR SUBSTITUTION.

RECORD DRAWINGS

SUBCONTRACTOR: _____ Date _____
 GENERAL CONTRACTOR: Date **6-26-90**
 GENERAL CONTRACTOR SHALL VERIFY SUBCONTRACTORS SIGNATURE IF APPLICABLE.

 The State of South Carolina	AGENCY OR INSTITUTION DEPARTMENT OF MENTAL RETARDATION	PROFESSIONAL SEAL SOUTH CAROLINA REGISTERED ARCHITECT NO. 1599 THOMAS W. SALMONS III	A & E FIRM CARLISLE ASSOCIATES 1015 GERVAIS STREET P.O. BOX 11528 COLUMBIA, SC 29211 (803) 252-3232	SHEET TITLE FIRST FLOOR DOOR & HARDWARE SCHEDULE	PROJECT TITLE CENTRAL OFFICE BUILDING PHASE II
DIVISION		REVISION NO. DATE BY APP. A & E PROJECT NO.		DRAWN BY CHECKED BY FINAL APP.	STATE PROJECT NO. J16-8933 DRAWING NO. S75-A7 SHEET A7 OF 25 DATE 4/1/88

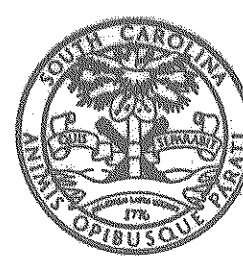

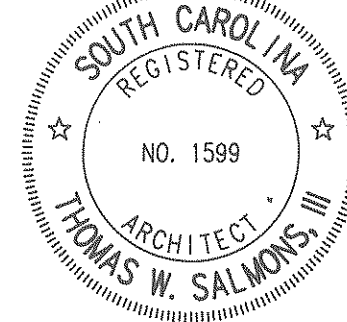
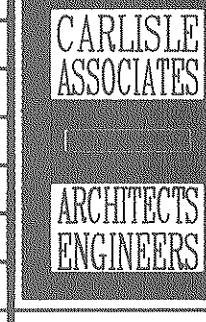
DOOR SCHEDULE HARDWARE SCHEDULE

NO.	DOOR				GLASS	DOOR TYPE	FRAME SECT.	FINISH	REMARKS	FINISH	SWING	HINGES		LOCKSET	STOPS	CLOSER	MISCELLANEOUS	REMARKS
	WIDE	HIGH	THICK	MATRL.								PAIR	PAIR					
156	3'-0"	6'-8"	1 3/4"	H.M.	NONE	C	2	PAIN		US26	RHR	STANLEY FBB 179	1-1/2	RUSSWIN 99L	407 1/2	RUSSWIN 2820	KICKPLATE	SILENCERS
157	3'-0"	6'-8"	1 3/4"	WOOD	NONE	C	3	STAIN	3/4 HR. C LABEL	US26	RH	STANLEY FBB 179	1-1/2	RUSSWIN 4310	407 1/2	RUSSWIN 2820	KICKPLATE	SILENCERS
158	3'-0"	6'-8"	1 3/4"	WOOD	NONE	C	3	STAIN	3/4 HR. C LABEL	US26	LH	STANLEY FBB 179	1-1/2	RUSSWIN 4310	407 1/2	RUSSWIN 2820	KICKPLATE	SILENCERS
159	3'-0"	6'-8"	1 3/4"	WOOD	NONE	C	3	STAIN		US26	RH	STANLEY FBB 179	1-1/2	RUSSWIN 4310	407 1/2	RUSSWIN 2820	KICKPLATE	SILENCERS
160	3'-0"	6'-8"					7		CASED OPENING									
161	3'-0"	6'-8"					7		CASED OPENING									
162	3'-0"	6'-8"	1 3/4"	WOOD	NONE	C	3	STAIN	3/4 HR. C LABEL	US26	LH	STANLEY 2060 FBB179	1-1/2	RUSSWIN 4340	407 1/2		KICKPLATE	SILENCERS
163	3'-0"	6'-8"	1 3/4"	WOOD	NONE	C	3	STAIN	3/4 HR. C LABEL	US26	LH	STANLEY 2060 FBB179	1-1/2	RUSSWIN 4340	407 1/2		KICKPLATE	SILENCERS
164	3'-0"	6'-8"	1 3/4"	WOOD	NONE	C	3	STAIN	3/4 HR. C LABEL	US26	RH	STANLEY 2060 FBB179	1-1/2	RUSSWIN 4340	407 1/2		KICKPLATE	SILENCERS
165	3'-0"	6'-8"	1 3/4"	WOOD	NONE	C	3	STAIN		US26	LH	STANLEY F179 4 1/2x4 1/2	1-1/2	RUSSWIN 4340	407 1/2			SILENCERS
166	3'-0"	6'-8"	1 3/4"	WOOD	NONE	C	3	STAIN		US26	RH	STANLEY F179 4 1/2x4 1/2	1-1/2	RUSSWIN 4340	407 1/2			SILENCERS
167	3'-0"	6'-8"	1 3/4"	WOOD	NONE	C	3	STAIN		US26	LH	STANLEY F179 4 1/2x4 1/2	1-1/2	RUSSWIN 4340	407 1/2			SILENCERS
168	3'-0"	6'-8"	1 3/4"	WOOD	NONE	C	3	STAIN		US26	RH	STANLEY F179 4 1/2x4 1/2	1-1/2	RUSSWIN 4340	407 1/2			SILENCERS
169	3'-0"	6'-8"	1 3/4"	WOOD	NONE	C	3	STAIN		US26	LH	STANLEY F179 4 1/2x4 1/2	1-1/2	RUSSWIN 4340	407 1/2			SILENCERS
170	3'-0"	6'-8"	1 3/4"	WOOD	NONE	C	3	STAIN		US26	RH	STANLEY F179 4 1/2x4 1/2	1-1/2	RUSSWIN 4340	407 1/2			SILENCERS
171	3'-0"	6'-8"	1 3/4"	WOOD	NONE	C	3	STAIN		US26	LH	STANLEY F179 4 1/2x4 1/2	1-1/2	RUSSWIN 4340	407 1/2			SILENCERS
172	3'-0"	6'-8"	1 3/4"	WOOD	NONE	C	3	STAIN		US26	RH	STANLEY F179 4 1/2x4 1/2	1-1/2	RUSSWIN 4340	407 1/2			SILENCERS
173	3'-0"	6'-8"	1 3/4"	WOOD	NONE	C	3	STAIN	3/4 HR. C LABEL	US26	LH	STANLEY 2060 FBB179	1-1/2	RUSSWIN 4340	407 1/2		KICKPLATE	SILENCERS
174	3'-0"	6'-8"	1 3/4"	WOOD	NONE	C	3	STAIN	3/4 HR. C LABEL	US26	LH	STANLEY 2060 FBB179	1-1/2	RUSSWIN 4340	407 1/2		KICKPLATE	SILENCERS
175	3'-0"	6'-8"	1 3/4"	WOOD	NONE	C	3	STAIN	3/4 HR. C LABEL	US26	LH	STANLEY 2060 FBB179	1-1/2	RUSSWIN 4340	407 1/2		KICKPLATE	SILENCERS
176	3'-0"	6'-8"	1 3/4"	H.M.	NONE	C	5	PAIN	1 HR. B LABEL	US26	RH	STANLEY FBB 179	1-1/2	RUSSWIN VON WOLZIN 99TP-F-BE-697NL	407 1/2	RUSSWIN 2820	KICKPLATE	SILENCERS
177	3'-0"	6'-8"	1 3/4"	WOOD	NONE	C	3	STAIN	3/4 HR. C LABEL	US26	RH	STANLEY 2060 FBB179	1-1/2	RUSSWIN 4340	407 1/2		KICKPLATE	SILENCERS
178	3'-0"	6'-8"	1 3/4"	WOOD	NONE	C	3	STAIN		US26	LH	STANLEY F179 4 1/2x4 1/2	1-1/2	RUSSWIN 4340	407 1/2			SILENCERS
179	3'-0"	6'-8"	1 3/4"	WOOD	NONE	C	3	STAIN		US26	LH	STANLEY F179 4 1/2x4 1/2	1-1/2	RUSSWIN 4340	407 1/2			SILENCERS
180	3'-0"	6'-8"	1 3/4"	WOOD	NONE	C	3	STAIN		US26	LH	STANLEY F179 4 1/2x4 1/2	1-1/2	RUSSWIN 4340	407 1/2			SILENCERS
181	3'-0"	6'-8"	1 3/4"	WOOD	NONE	C	3	STAIN		US26	RH	STANLEY F179 4 1/2x4 1/2	1-1/2	RUSSWIN 4340	407 1/2			SILENCERS
182	3'-0"	6'-8"	1 3/4"	WOOD	NONE	C	3	STAIN		US26	LH	STANLEY F179 4 1/2x4 1/2	1-1/2	RUSSWIN 4340	407 1/2			SILENCERS
183	3'-0"	6'-8"	1 3/4"	WOOD	NONE	C	3	STAIN		US26	RH	STANLEY F179 4 1/2x4 1/2	1-1/2	RUSSWIN 4340	407 1/2			SILENCERS
184	3'-0"	6'-8"	1 3/4"	WOOD	NONE	C	3	STAIN		US26	LH	STANLEY F179 4 1/2x4 1/2	1-1/2	RUSSWIN 4340	407 1/2			SILENCERS
185	3'-0"	6'-8"	1 3/4"	WOOD	NONE	C	3	STAIN		US26	RH	STANLEY F179 4 1/2x4 1/2	1-1/2	RUSSWIN 4340	407 1/2			SILENCERS
186	3'-0"	6'-8"	1 3/4"	WOOD	NONE	C	3	STAIN	3/4 HR. C LABEL	US26	LH	STANLEY 2060 FBB179	1-1/2	RUSSWIN 4340	407 1/2		KICKPLATE	SILENCERS
187	3'-0"	6'-8"	1 3/4"	WOOD	NONE	C	3	STAIN	3/4 HR. C LABEL	US26	LH	STANLEY 2060 FBB179	1-1/2	RUSSWIN 4340	407 1/2		KICKPLATE	SILENCERS
188	3'-0"	6'-8"	1 3/4"	WOOD	NONE	C	3	STAIN	3/4 HR. C LABEL	US26	RH	STANLEY 2060 FBB179	1-1/2	RUSSWIN 4340	407 1/2		KICKPLATE	SILENCERS
189	3'-0"	6'-8"	1 3/4"	WOOD	NONE	C	3	STAIN	3/4 HR. C LABEL	US26	LH	STANLEY 2060 FBB179	1-1/2	RUSSWIN 4340	407 1/2		KICKPLATE	SILENCERS

* HARDWARE MANUFACTURERS AND CATALOG NUMBERS INDICATED ABOVE ARE LISTED TO SET STANDARDS OF QUALITY, FUNCTION, MINIMUM QUANTITIES, SIZE, ETC. - SEE PROJECT MANUAL FOR CONDITIONS FOR SUBSTITUTION.

RECORD DRAWINGS

SUBCONTRACTOR: _____ Date _____
 GENERAL CONTRACTOR: *[Signature]* 6-26-90 Date _____
 GENERAL CONTRACTOR SHALL VERIFY SUBCONTRACTORS SIGNATURE IF APPLICABLE.

 The State of South Carolina	AGENCY OR INSTITUTION  DEPARTMENT OF MENTAL RETARDATION	PROFESSIONAL SEAL  NO. 1599 THOMAS W. SALMONS, ARCHITECT	A & E FIRM  CARLISLE ASSOCIATES 1015 GERVAIS STREET P.O. BOX 11528 COLUMBIA, SC 29211 (803) 252-3232	SHEET TITLE FIRST FLOOR DOOR & HARDWARE SCHEDULE	PROJECT TITLE CENTRAL OFFICE BUILDING PHASE II
DIVISION		REVISION NO. DATE BY APP.		STATE PROJECT NO. J16-8933 DRAWING NO. S75-A8 SHEET A8 OF 25 DATE 4/1/88	

DOOR SCHEDULE

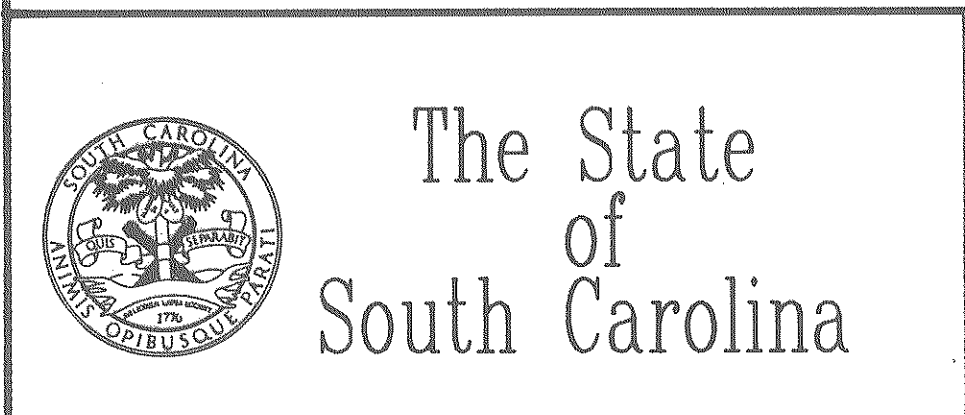
HARDWARE SCHEDULE

NO.	DOOR				GLASS	DOOR TYPE	FRAME SECT.	FINISH	REMARKS	FINISH	SWING	HINGES		LOCKSET	STOPS	CLOSER	MISCELLANEOUS	REMARKS
	WIDE	HIGH	THICK	MATRL.								PAIR	PAIR					
201	3'-0"	7'-0"	1 3/4"	ALUM. GLASS	1/4" PL TEMP.	A	12	ANOD.			RHRA LHR							
202	3'-0"	7'-0"	1 3/4"	H.M.	NONE	D	10	PAINT	US26		RHRA LHR	STANLEY FBB191 NRP 108	3			RUSSWIN 2820B	THRESHOLD 179DV FLUSHBOLTS 457 IVES	WEATHERSTRIPPING 588D
203	3'-0"	7'-0"	1 3/4"	H.M.	NONE	D	10	PAINT	US26		RHRA LHR	STANLEY FBB191 NRP 108	3			RUSSWIN 2820B	THRESHOLD 179DV FLUSHBOLTS 457 IVES	WEATHERSTRIPPING 588D
204	3'-0"	6'-8"	1 3/4"	H.M.	NONE	C	2	PAINT	US26		LHR	STANLEY FBB 179	1 1/2	RUSSWIN VON DORP IVES 991	407-1/2	RUSSWIN 2820	KICKPLATE	SILENCERS
205	3'-0"	6'-8"	1 3/4"	WOOD	NONE	C	3	STAIN	3/4 HR. C LABEL	US26	RH	STANLEY 2060 FBB179	1 1/2	RUSSWIN 4340	407-1/2	RUSSWIN 2820	KICKPLATE	SILENCERS
206	3'-0"	6'-8"	1 3/4"	WOOD	NONE	C	3	STAIN	3/4 HR. C LABEL	US26	RH	STANLEY FBB 179	1 1/2	RUSSWIN 4310	407-1/2	RUSSWIN 2820	KICKPLATE	SILENCERS
207	3'-0"	6'-8"					7		CASED OPENING									
208	3'-0"	6'-8"	1 3/4"	WOOD	NONE	C	3	STAIN	3/4 HR. C LABEL	US26	LH	STANLEY FBB 179	1 1/2	RUSSWIN 4310	407-1/2	RUSSWIN 2820	KICKPLATE	SILENCERS
209	3'-0"	6'-8"					7		CASED OPENING									
210	3'-0"	6'-8"	1 3/4"	WOOD	NONE	C	3	STAIN	3/4 HR. C LABEL	US26	LH	STANLEY 2060 FBB179	1 1/2	RUSSWIN 4340	407-1/2		KICKPLATE	SILENCERS
211	3'-0"	6'-8"	1 3/4"	WOOD	NONE	C	3	STAIN	3/4 HR. C LABEL	US26	LH	STANLEY FBB 179	1 1/2	RUSSWIN 4340	407-1/2		KICKPLATE	SILENCERS
212	3'-0"	6'-8"	1 3/4"	WOOD	NONE	C	3	STAIN	1 1/2 HR. B LABEL	US26	LHR	STANLEY FBB 179	1 1/2	RUSSWIN 4340	407-1/2	RUSSWIN 2820		SILENCERS
213	3'-0"	6'-8"	1 3/4"	WOOD	NONE	C	3	STAIN	1 1/2 HR. B LABEL	US26	RH	STANLEY FBB 179	1 1/2	RUSSWIN 4340	407-1/2	RUSSWIN 2820		SILENCERS
214	3'-0"	6'-8"	1 3/4"	WOOD	NONE	C	3	STAIN		US26	LH	STANLEY F179 4 1/2x4 1/2	1 1/2	RUSSWIN 4340	407-1/2			SILENCERS
215	3'-0"	6'-8"	1 3/4"	WOOD	NONE	C	3	STAIN		US26	RH	STANLEY F179 4 1/2x4 1/2	1 1/2	RUSSWIN 4340	407-1/2			SILENCERS
216	3'-0"	6'-8"	1 3/4"	WOOD	NONE	C	3	STAIN		US26	LH	STANLEY F179 4 1/2x4 1/2	1 1/2	RUSSWIN 4340	407-1/2			SILENCERS
217	3'-0"	6'-8"	1 3/4"	WOOD	NONE	C	3	STAIN		US26	RH	STANLEY F179 4 1/2x4 1/2	1 1/2	RUSSWIN 4340	407-1/2			SILENCERS
218	3'-0"	6'-8"	1 3/4"	WOOD	NONE	C	3	STAIN		US26	RH	STANLEY F179 4 1/2x4 1/2	1 1/2	RUSSWIN 4340	407-1/2			SILENCERS
219	3'-0"	6'-8"	1 3/4"	WOOD	NONE	C	3	STAIN	3/4 HR. C LABEL	US26	RH	STANLEY 2060 FBB179	1 1/2	RUSSWIN 4340	407-1/2		KICKPLATE	SILENCERS
220	3'-0"	6'-8"	1 3/4"	WOOD	NONE	C	3	STAIN	3/4 HR. C LABEL	US26	LH	STANLEY 2060 FBB179	1 1/2	RUSSWIN 4340	407-1/2		KICKPLATE	SILENCERS
221	3'-0"	6'-8"	1 3/4"	WOOD	NONE	C	3	STAIN	3/4 HR. C LABEL	US26	LH	STANLEY 2060 FBB179	1 1/2	RUSSWIN 4340	407-1/2		KICKPLATE	SILENCERS
222	3'-0"	6'-8"	1 3/4"	WOOD	NONE	C	3	STAIN		US26	RH	STANLEY F179 4 1/2x4 1/2	1 1/2	RUSSWIN 4340	407-1/2			SILENCERS
223	3'-0"	6'-8"	1 3/4"	WOOD	NONE	C	3	STAIN		US26	LH	STANLEY F179 4 1/2x4 1/2	1 1/2	RUSSWIN 4340	407-1/2			SILENCERS
224	3'-0"	6'-8"					4		CASED OPENING									SILENCERS
225	3'-0"	6'-8"	1 3/4"	WOOD	NONE	C	3	STAIN		US26	LH	STANLEY F179 4 1/2x4 1/2	1 1/2	RUSSWIN 4340	407-1/2			SILENCERS
226	3'-0"	6'-8"	1 3/4"	WOOD	NONE	C	3	STAIN		US26	RH	STANLEY F179 4 1/2x4 1/2	1 1/2	RUSSWIN 4340	407-1/2			SILENCERS
227	3'-0"	6'-8"	1 3/4"	WOOD	NONE	C	3	STAIN		US26	LH	STANLEY F179 4 1/2x4 1/2	1 1/2	RUSSWIN 4340	407-1/2			SILENCERS
228	3'-0"	6'-8"	1 3/4"	WOOD	NONE	C	3	STAIN		US26	LH	STANLEY F179 4 1/2x4 1/2	1 1/2	RUSSWIN 4340	407-1/2			SILENCERS
229	3'-0"	6'-8"	1 3/4"	WOOD	NONE	C	3	STAIN		US26	LH	STANLEY F179 4 1/2x4 1/2	1 1/2	RUSSWIN 4340	407-1/2			SILENCERS
230	3'-0"	6'-8"	1 3/4"	WOOD	NONE	C	3	STAIN	3/4 HR. C LABEL	US26	LH	STANLEY 2060 FBB179	1 1/2	RUSSWIN 4340	407-1/2		KICKPLATE	SILENCERS
231	3'-0"	6'-8"	1 3/4"	WOOD	NONE	C	5	STAIN	1 HR. B LABEL	US26	RH	STANLEY FBB 179	1 1/2	RUSSWIN VON DORP IVES 99TP-F-BF-697NL	407-1/2	RUSSWIN 2820	KICKPLATE	SILENCERS
232	3'-0"	6'-8"	1 3/4"	WOOD	NONE	C	3	STAIN	3/4 HR. C LABEL	US26	RH	STANLEY 2060 FBB179	1 1/2	RUSSWIN 4340	407-1/2	RUSSWIN 2820	KICKPLATE	SILENCERS
233	3'-0"	6'-8"	1 3/4"	WOOD	NONE	C	3	STAIN		US26	LH	STANLEY F179 4 1/2x4 1/2	1 1/2	RUSSWIN 4340	407-1/2			SILENCERS
234	3'-0"	6'-8"	1 3/4"	WOOD	NONE	C	3	STAIN		US26	LH	STANLEY F179 4 1/2x4 1/2	1 1/2	RUSSWIN 4340	407-1/2			SILENCERS
235	3'-0"	6'-8"	1 3/4"	WOOD	NONE	C	3	STAIN		US26	RH	STANLEY F179 4 1/2x4 1/2	1 1/2	RUSSWIN 4340	407-1/2			SILENCERS
236	3'-0"	6'-8"	1 3/4"	WOOD	NONE	C	3	STAIN		US26	RH	STANLEY F179 4 1/2x4 1/2	1 1/2	RUSSWIN 4340	407-1/2			SILENCERS
237	3'-0"	6'-8"	1 3/4"	WOOD	NONE	C	3	STAIN	3/4 HR. C LABEL	US26	RH	STANLEY 2060 FBB179	1 1/2	RUSSWIN 4340	407-1/2		KICKPLATE	SILENCERS
238	3'-0"	6'-8"	1 3/4"	WOOD	NONE	C	3	STAIN	3/4 HR. C LABEL	US26	RH	STANLEY 2060 FBB179	1 1/2	RUSSWIN 4340	407-1/2		KICKPLATE	SILENCERS
239	3'-0"	6'-8"	1 3/4"	WOOD	NONE	C	3	STAIN		US26	LH	STANLEY F179 4 1/2x4 1/2	1 1/2	RUSSWIN 4340	407-1/2			SILENCERS
240	3'-0"	6'-8"	1 3/4"	WOOD	NONE	C	3	STAIN		US26	RH	STANLEY F179 4 1/2x4 1/2	1 1/2	RUSSWIN 4340	407-1/2			SILENCERS
241	3'-0"	6'-8"	1 3/4"	WOOD	NONE	C	3	STAIN		US26	LH	STANLEY F179 4 1/2x4 1/2	1 1/2	RUSSWIN 4340	407-1/2			SILENCERS
242	3'-0"	6'-8"	1 3/4"	WOOD	NONE	C	3	STAIN	3/4 HR. C LABEL	US26	LH	STANLEY 2060 FBB179	1 1/2	RUSSWIN 4340	407-1/2		KICKPLATE	SILENCERS
243	3'-0"	6'-8"	1 3/4"	WOOD	NONE	C	3	STAIN		US26	RH	STANLEY F179 4 1/2x4 1/2	1 1/2	RUSSWIN 4340	407-1/2			SILENCERS
244	3'-0"	6'-8"	1 3/4"	WOOD	NONE	C	3	STAIN		US26	RH	STANLEY F179 4 1/2x4 1/2	1 1/2	RUSSWIN 4340	407-1/2			SILENCERS
245	3'-0"	6'-8"	1 3/4"	WOOD	NONE	C	3	STAIN		US26	RH	STANLEY F179 4 1/2x4 1/2	1 1/2	RUSSWIN 4340	407-1/2			SILENCERS
246	3'-0"	6'-8"	1 3/4"	WOOD	NONE	C	3	STAIN	3/4 HR. C LABEL	US26	LH	STANLEY 2060 FBB179	1 1/2	RUSSWIN 4340	407-1/2		KICKPLATE	SILENCERS
247	3'-0"	6'-8"	1 3/4"	WOOD	NONE	C	3	STAIN		US26	RH	STANLEY F179 4 1/2x4 1/2	1 1/2	RUSSWIN 4340	407-1/2			SILENCERS
248	3'-0"	6'-8"	1 3/4"	WOOD	NONE	C	3	STAIN	3/4 HR. C LABEL	US26	LH	STANLEY 2060 FBB179	1 1/2	RUSSWIN 4340	407-1/2		KICKPLATE	SILENCERS
249	3'-0"	6'-8"	1 3/4"	WOOD	NONE	C	3	STAIN		US26	RH	STANLEY F179 4 1/2x4 1/2	1 1/2	RUSSWIN 4340	407-1/2			SILENCERS
250	3'-0"	6'-8"	1 3/4"	WOOD	NONE	C	3	STAIN	1 1/2 HR. B LABEL	US26	RHR	STANLEY FBB 179	1 1/2	RUSSWIN 4340	407-1/2	RUSSWIN 2820	KICKPLATE	SILENCERS
251	3'-0"	6'-8"	1 3/4"	WOOD	NONE	C	3	STAIN	1 1/2 HR. B LABEL	US26	LH	STANLEY FBB 179	1 1/2	RUSSWIN 4340	407-1/2	RUSSWIN 2820	KICKPLATE	SILENCERS
252	3'-0"	6'-8"	1 3/4"	WOOD	NONE	C	3	STAIN	1 1/2 HR. B LABEL	US26	RH	STANLEY FBB 179	1 1/2	RUSSWIN 4340	407-1/2	RUSSWIN 2820	KICKPLATE	SILENCERS
253	3'-0"	6'-8"	1 3/4"	WOOD	NONE	C	3	STAIN	1 1/2 HR. B LABEL	US26	LHR	STANLEY FBB 179	1 1/2	RUSSWIN 4340	407-1/2	RUSSWIN 2820	KICKPLATE	SILENCERS
254	3'-0"	6'-8"	1 3/4"	WOOD	NONE	C	3	STAIN	3/4 HR. C LABEL	US26	RH	STANLEY 2060 FBB179	1 1/2	RUSSWIN 4340	407-1/2		KICKPLATE	SILENCERS
255	3'-0"	6'-8"	1 3/4"	WOOD	NONE	C	3	STAIN	3/4 HR. C LABEL	US26	RH	STANLEY 2060 FBB179	1 1/2	RUSSWIN 4340	407-1/2		KICKPLATE	SILENCERS

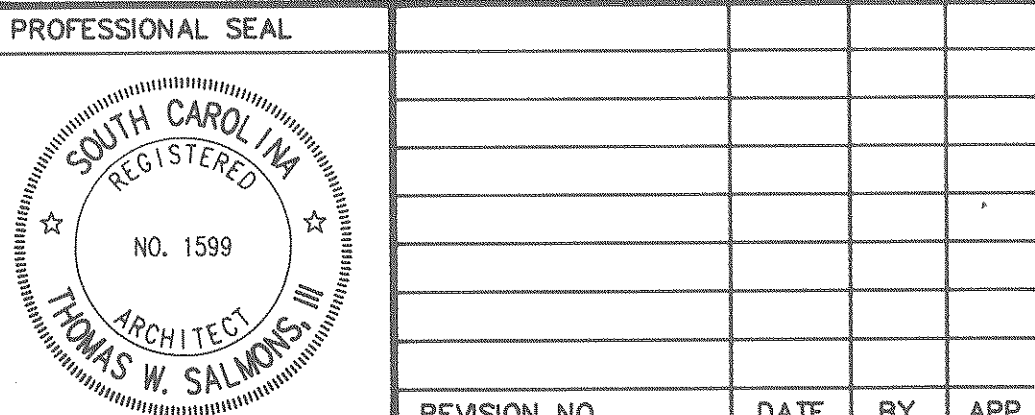
* HARDWARE MANUFACTURERS AND CATALOG NUMBERS INDICATED ABOVE ARE LISTED TO SET STANDARDS OF QUALITY, FUNCTION, MINIMUM QUANTITIES, SIZE, ETC. - SEE PROJECT MANUAL FOR CONDITIONS FOR SUBSTITUTION.

RECORD DRAWINGS

SUBCONTRACTOR: _____ Date _____
 GENERAL CONTRACTOR: _____ Date 12/26/90
 GENERAL CONTRACTOR SHALL VERIFY SUBCONTRACTORS SIGNATURE IF APPLICABLE.



AGENCY OR INSTITUTION
DEPARTMENT OF MENTAL RETARDATION



A & E FIRM
CARLISLE ASSOCIATES
 1015 GERVAIS STREET
 P.O. BOX 11528
 COLUMBIA, SC 29211
 (803) 252-3232

SHEET TITLE
SECOND FLOOR DOOR & HARDWARE SCHEDULE

PROJECT TITLE
CENTRAL OFFICE BUILDING PHASE II

STATE PROJECT NO. **J16-8933**
 DRAWING NO. **S75-A9**
 SHEET **A9** OF **25**

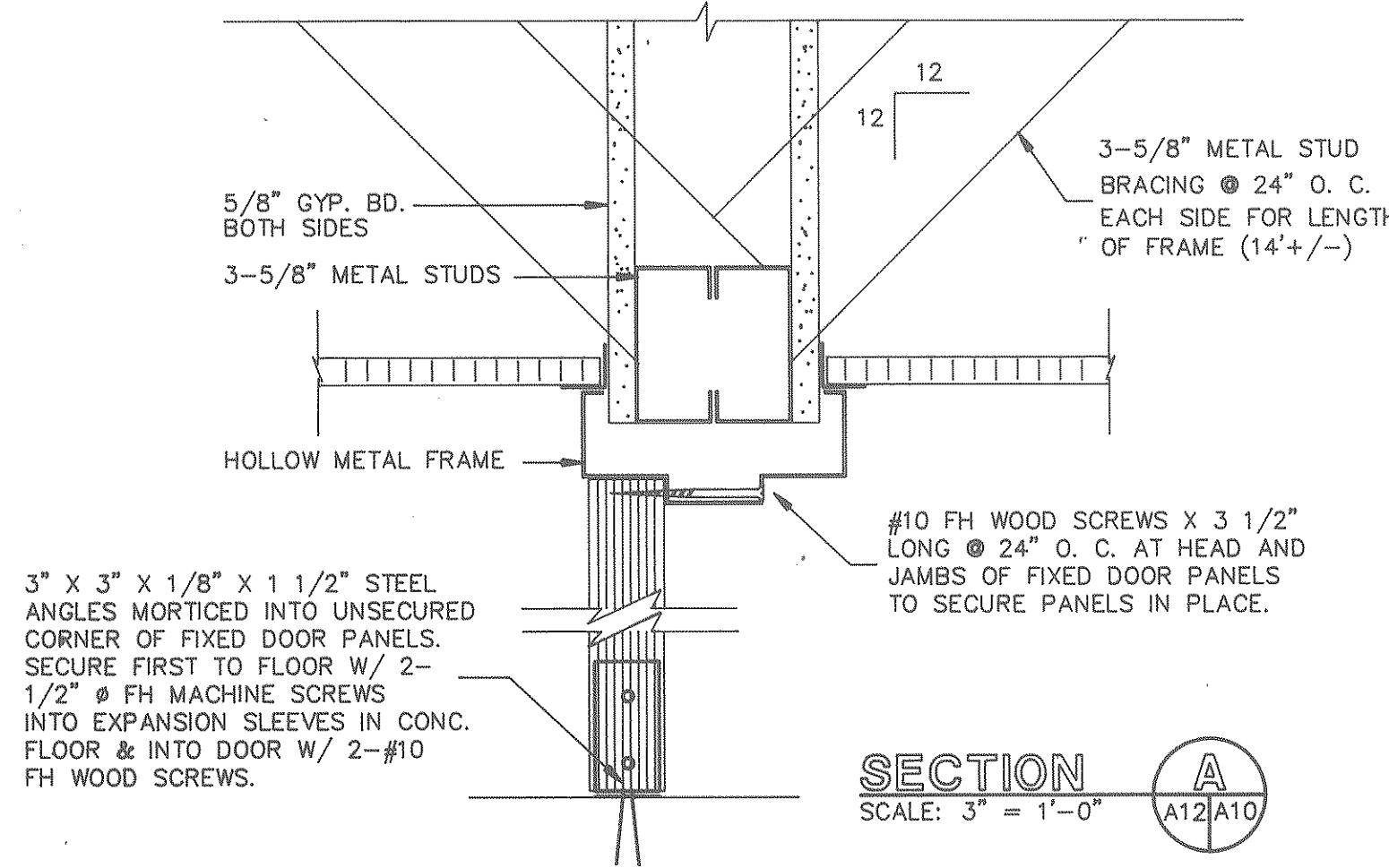
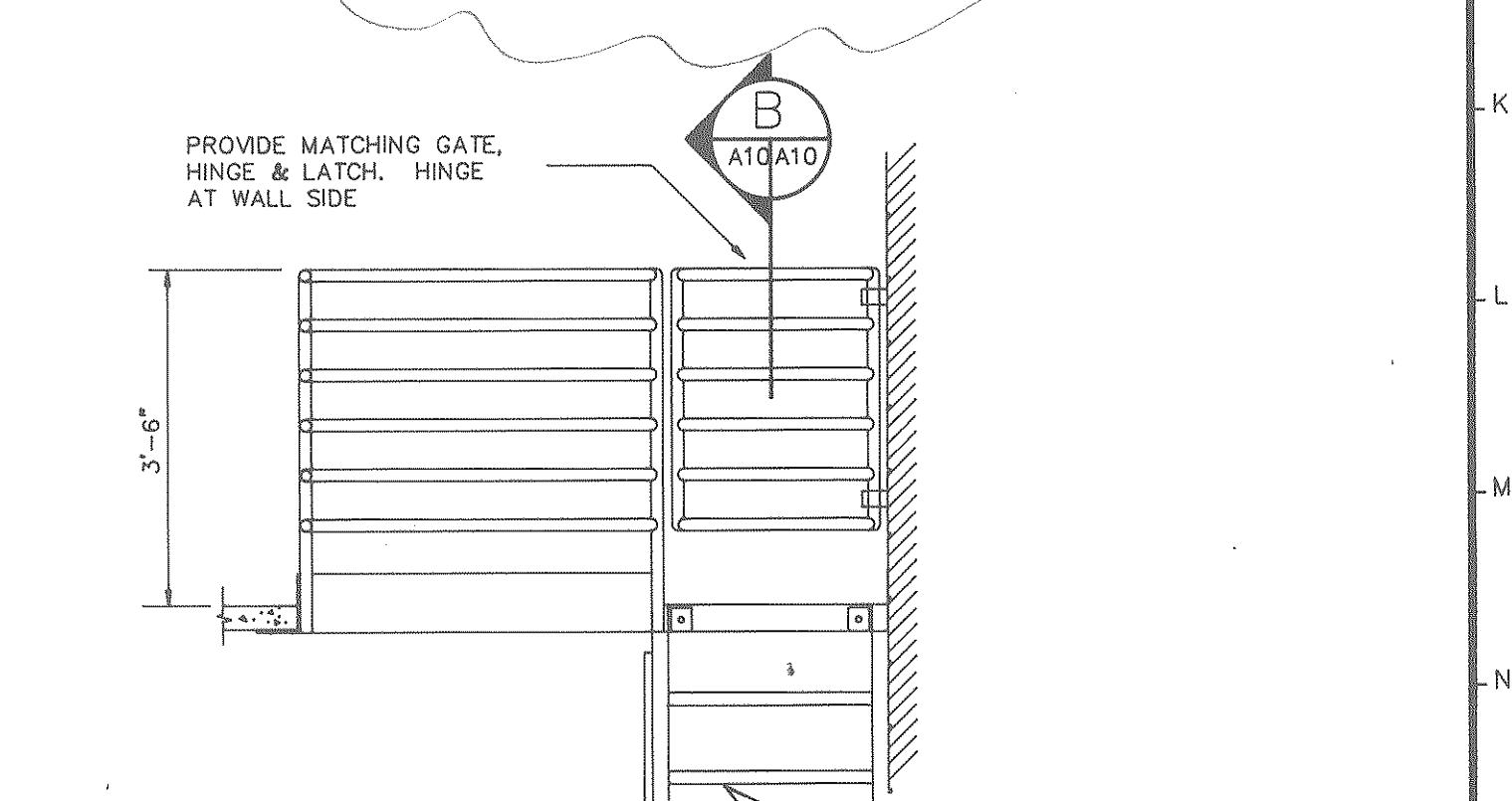
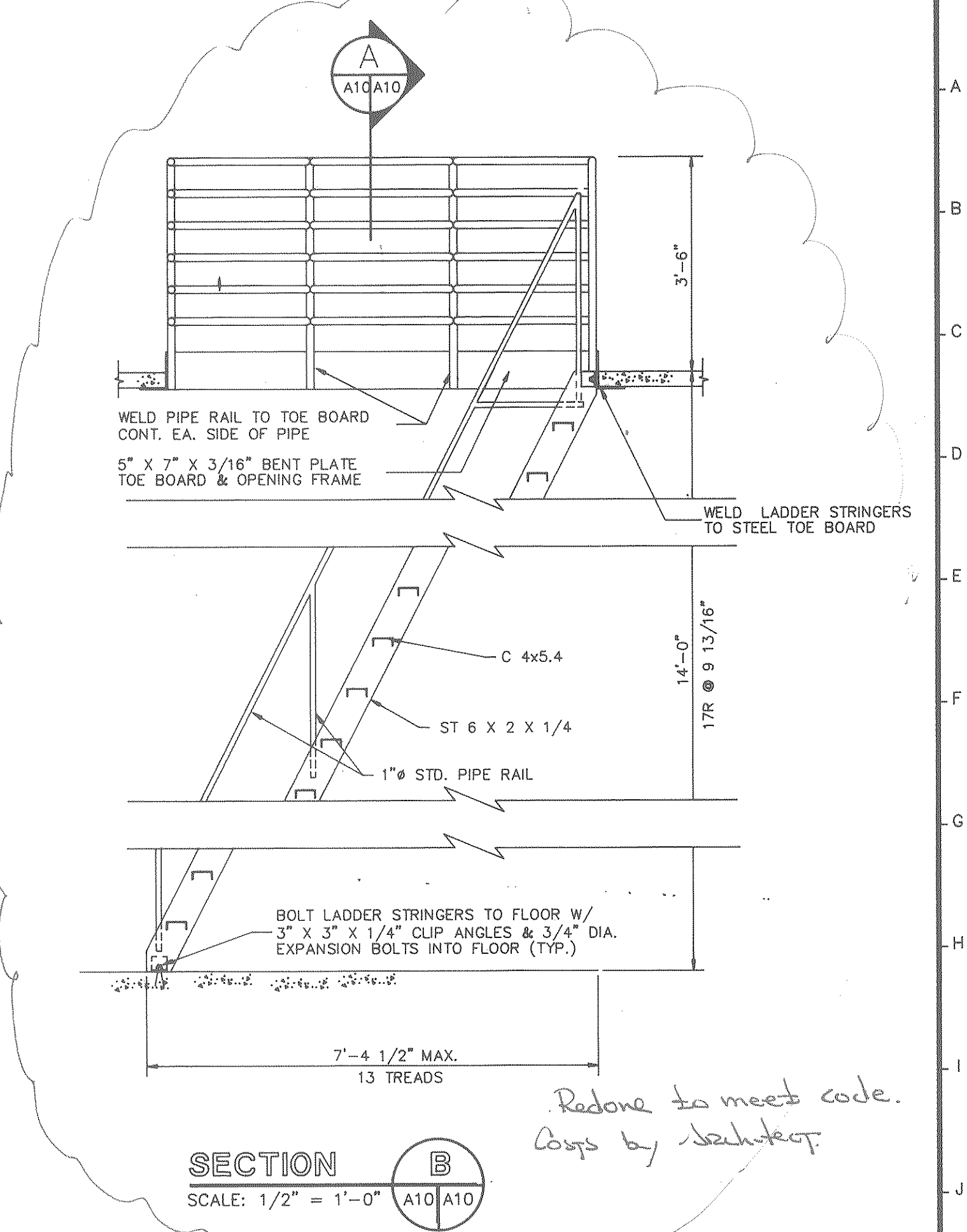
DATE 4/1/88

REVISION NO. DATE BY APP. A & E PROJECT NO. DRAWN BY CHECKED BY FINAL APP.

DOOR SCHEDULE HARDWARE SCHEDULE

NO.	DOOR			GLASS	DOOR FRAME TYPE	FINISH	REMARKS	FINISH	SWING	HINGES		LOCKSET	STOPS	CLOSER	MISCELLANEOUS	REMARKS		
	WIDE	HIGH	THICK							MATL.	TYPE						PAIR	
256	3'-0"	6'-8"	1 3/4"	WOOD	NONE	C	3	STAIN		US26	RH	STANLEY 4340	IVES 407 1/2			SILENCERS		
257	3'-0"	6'-8"	1 3/4"	WOOD	NONE	C	3	STAIN		US26	RH	STANLEY 4340	IVES 407 1/2			SILENCERS		
258	3'-0"	6'-8"	1 3/4"	WOOD	NONE	C	3	STAIN	3/4 HR. C LABEL	US26	RH	STANLEY 2060 FBB179	IVES 407 1/2		KICKPLATE	SILENCERS		
259	3'-0"	6'-8"	1 3/4"	WOOD	NONE	C	3	STAIN		US26	RH	STANLEY 4340	IVES 407 1/2			SILENCERS		
260	3'-0"	6'-8"	1 3/4"	WOOD	NONE	C	3	STAIN		US26	LH	STANLEY 4340	IVES 407 1/2			SILENCERS		
261	3'-0"	6'-8"	1 3/4"	WOOD	NONE	C	3	STAIN		US26	LH	STANLEY 4340	IVES 407 1/2			SILENCERS		
262	3'-0"	6'-8"	1 3/4"	WOOD	NONE	C	3	STAIN		US26	LH	STANLEY 4340	IVES 407 1/2			SILENCERS		
263	3'-0"	6'-8"	1 3/4"	WOOD	NONE	C	3	STAIN		US26	RH	STANLEY 4340	IVES 407 1/2			SILENCERS		
264	3'-0"	6'-8"	1 3/4"	WOOD	NONE	C	3	STAIN		US26	LH	STANLEY 4340	IVES 407 1/2			SILENCERS		
265	3'-0"	6'-8"	1 3/4"	WOOD	NONE	C	3	STAIN		US26	RH	STANLEY 4340	IVES 407 1/2			SILENCERS		
266	2'-6"	6'-8"	1 3/4"	WOOD	NONE	C	3	STAIN		US26	LH	STANLEY 4320	IVES 407 1/2			SILENCERS		
267	3'-0"	6'-8"	1 3/4"	WOOD	NONE	C	3	STAIN		US26	LH	STANLEY 4340	IVES 407 1/2			SILENCERS		
268	3'-0"	6'-8"	1 3/4"	WOOD	NONE	C	3	STAIN		US26	LH	STANLEY 4340	IVES 407 1/2			SILENCERS		
269	3'-0"	6'-8"	1 3/4"	WOOD	NONE	C	3	STAIN		US26	LH	STANLEY 4340	IVES 407 1/2			SILENCERS		
270	3'-0" PAIR	8'-10"	1 3/4"	WOOD	NONE	E	3	STAIN	3/4 HR. C LABEL PAIR + SIDE PANELS	US26	RHR-A LHR	SOSS 218 G	IVES 444	IVES 358 PAIR	IVES 5303 PAIR	IVES 358 PAIR	COORDINATOR - IVES 596 * OMIT FRAME STOP @ HEAD OF 6'-0" OPENING	CLEAR FRAME OPENING WIDTH FOR DOORS & SIDE PANELS IS 14'-3" - SEE DETAIL SHEET A12 - w/ Merged Drawing Team
271	3'-0"	6'-8"	1 3/4"	WOOD	NONE	C	3	STAIN	3/4 HR. C LABEL	US26	RH	STANLEY 2060 FBB179	IVES 407 1/2		KICKPLATE	SILENCERS		
272	3'-0"	6'-8"	1 3/4"	WOOD	NONE	C	5	STAIN	1 HR. B LABEL	US26	RH	STANLEY FBB 179	IVES 407 1/2		KICKPLATE	SILENCERS		
273	3'-0"	6'-8"	1 3/4"	WOOD	NONE	C	3	STAIN	3/4 HR. C LABEL	US26	RH	STANLEY 2060 FBB179	IVES 407 1/2		KICKPLATE	SILENCERS		
274	3'-0"	6'-8"	1 3/4"	WOOD	NONE	C	3	STAIN		US26	RH	STANLEY 4340	IVES 407 1/2			SILENCERS		
275	3'-0"	6'-8"	1 3/4"	WOOD	NONE	C	3	STAIN		US26	RH	STANLEY 4340	IVES 407 1/2			SILENCERS		
276	3'-0"	6'-8"	1 3/4"	WOOD	NONE	C	3	STAIN		US26	RH	STANLEY 4340	IVES 407 1/2			SILENCERS		
277	3'-0"	6'-8"	1 3/4"	WOOD	NONE	C	3	STAIN		US26	RH	STANLEY 4340	IVES 407 1/2			SILENCERS		
278	3'-0"	6'-8"	1 3/4"	WOOD	NONE	C	3	STAIN		US26	LH	STANLEY 4340	IVES 407 1/2			SILENCERS		
279	3'-0"	6'-8"	1 3/4"	WOOD	NONE	C	3	STAIN		US26	RH	STANLEY 4340	IVES 407 1/2			SILENCERS		
280	3'-0"	6'-8"	1 3/4"	WOOD	NONE	C	3	STAIN		US26	LH	STANLEY 4340	IVES 407 1/2			SILENCERS		
281	3'-0"	6'-8"	1 3/4"	WOOD	NONE	C	3	STAIN		US26	RH	STANLEY 4340	IVES 407 1/2			SILENCERS		
282	3'-0"	6'-8"	1 3/4"	WOOD	NONE	C	3	STAIN		US26	RH	STANLEY 4340	IVES 407 1/2			SILENCERS		
283	3'-0"	6'-8"	1 3/4"	WOOD	NONE	C	3	STAIN		US26	LH	STANLEY 4340	IVES 407 1/2			SILENCERS		
284	3'-0"	6'-8"	1 3/4"	WOOD	NONE	C	3	STAIN		US26	RH	STANLEY 4340	IVES 407 1/2			SILENCERS		
285	3'-0"	6'-8"	1 3/4"	WOOD	NONE	C	3	STAIN		US26	LH	STANLEY 4340	IVES 407 1/2			SILENCERS		
286	3'-0"	6'-8"	1 3/4"	WOOD	NONE	C	3	STAIN		US26	RH	STANLEY 4340	IVES 407 1/2			SILENCERS		
287	3'-0"	6'-8"	1 3/4"	WOOD	NONE	C	3	STAIN		US26	LH	STANLEY 4340	IVES 407 1/2			SILENCERS		
288	3'-0"	6'-8"	1 3/4"	WOOD	NONE	C	3	STAIN		US26	RH	STANLEY 4340	IVES 407 1/2			SILENCERS		
289	3'-0"	6'-8"	1 3/4"	WOOD	NONE	C	3	STAIN		US26	LH	STANLEY 4340	IVES 407 1/2			SILENCERS		
290	3'-0"	6'-8"	1 3/4"	WOOD	NONE	C	3	STAIN		US26	LH	STANLEY 4340	IVES 444			SILENCERS		
291	3'-0"	6'-8"	1 3/4"	WOOD	NONE	C	3	STAIN		US26	LH	STANLEY 4340	IVES 444			SILENCERS		
292	3'-0"	6'-8"	1 3/4"	WOOD	NONE	C	3	STAIN	3/4 HR. C LABEL	US26	RH	STANLEY 2060 FBB179	IVES 407 1/2		KICKPLATE	SILENCERS		

* HARDWARE MANUFACTURERS AND CATALOG NUMBERS INDICATED ABOVE ARE LISTED TO SET STANDARDS OF QUALITY, FUNCTION, MINIMUM QUANTITIES, SIZE, ETC. - SEE PROJECT MANUAL FOR CONDITIONS FOR SUBSTITUTION.



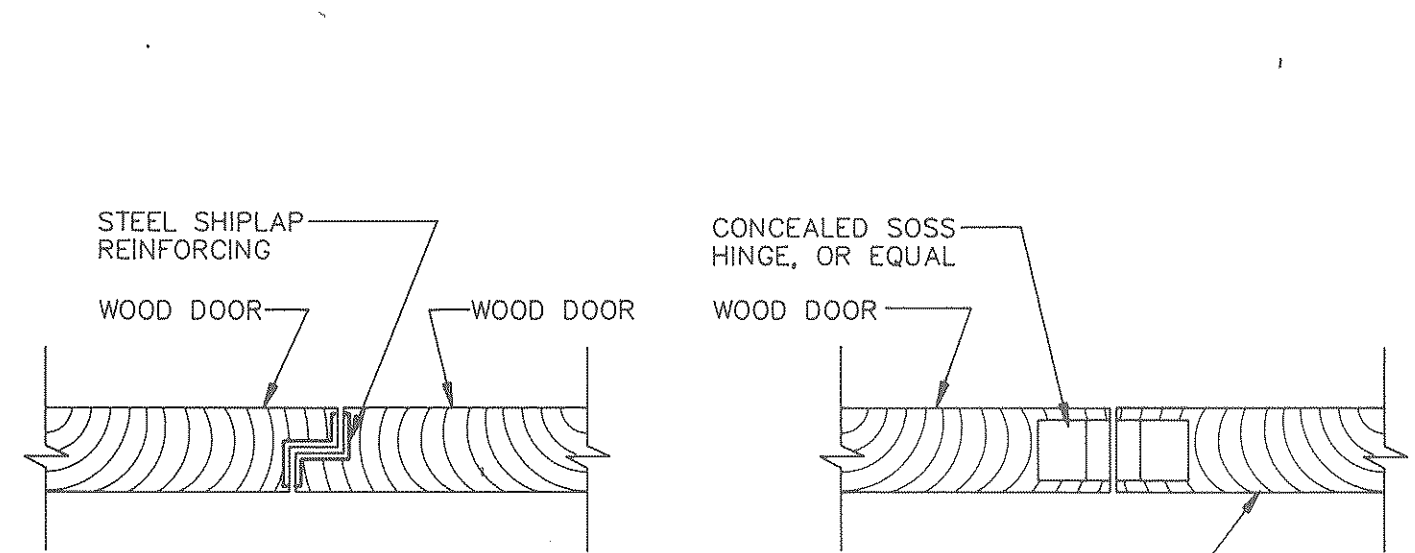
RECORD DRAWINGS

SUBCONTRACTOR: _____ Date _____
 GENERAL CONTRACTOR: _____ Date _____
 GENERAL CONTRACTOR SHALL VERIFY SUBCONTRACTORS SIGNATURE IF APPLICABLE.

SECTION A
 SCALE: 1/2" = 1'-0" A10A10

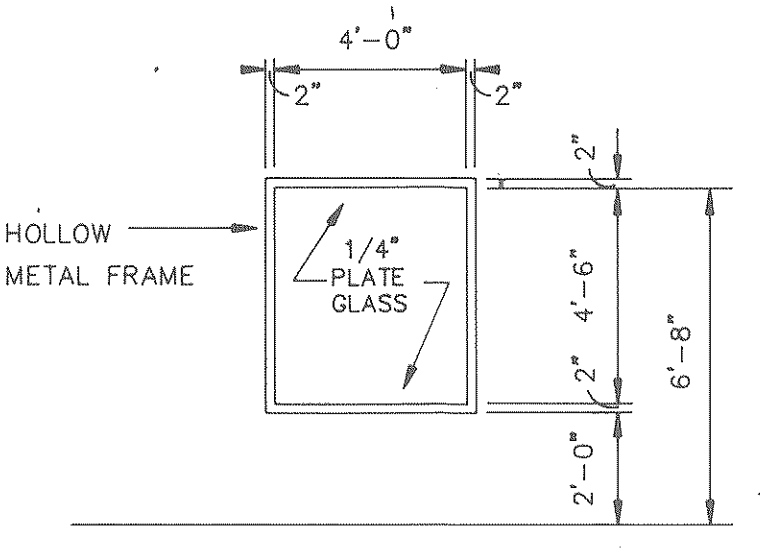
MECHANICAL ROOM NO. 207
 FLOOR WELL ACCESS DETAIL
 SCALE: 1/2" = 1'-0"

 The State of South Carolina	AGENCY OR INSTITUTION DEPARTMENT OF MENTAL RETARDATION	PROFESSIONAL SEAL ARCHITECT THOMAS W. SALMON, III No. 1599	A & E FIRM CARLISLE ASSOCIATES 1015 GERVAIS STREET P.O. BOX 11528 COLUMBIA, SC 29211 (803) 252-3232	SHEET TITLE SECOND FLOOR DOOR & HARDWARE SCHEDULE	PROJECT TITLE CENTRAL OFFICE BUILDING PHASE II							
	DIVISION	REVISION NO.	DATE	BY	APP.	A & E PROJECT NO.	DRAWN BY	CHECKED BY	FINAL APP.	STATE PROJECT NO. J16-8933	DRAWING NO. S75-A10	SHEET A10 OF 25



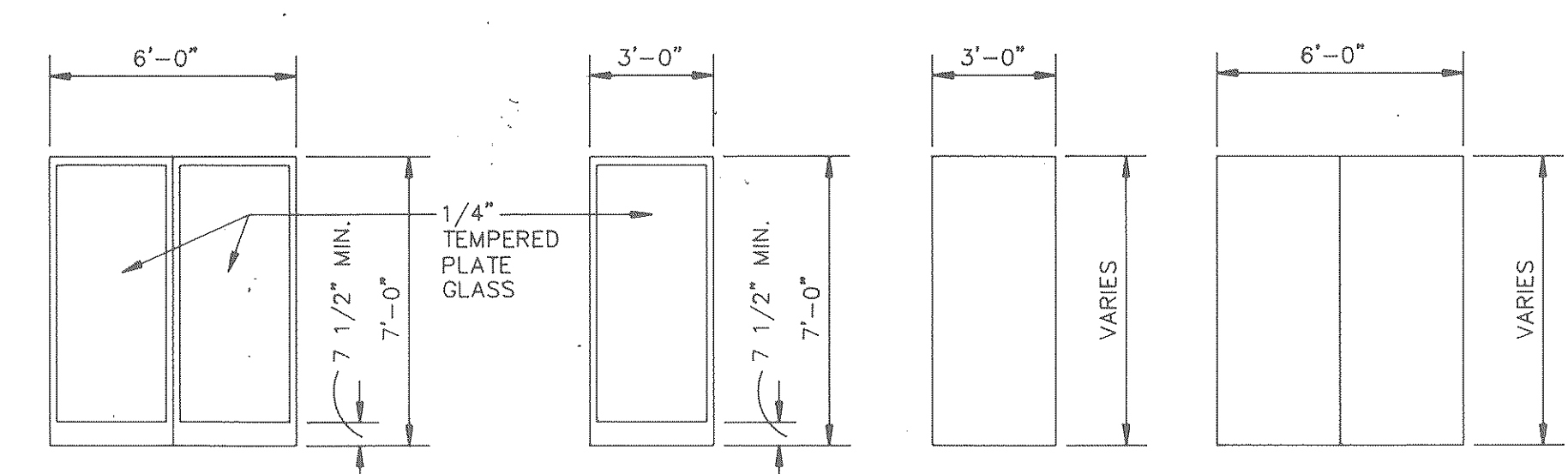
SECTION

SCALE: 3" = 1'-0"



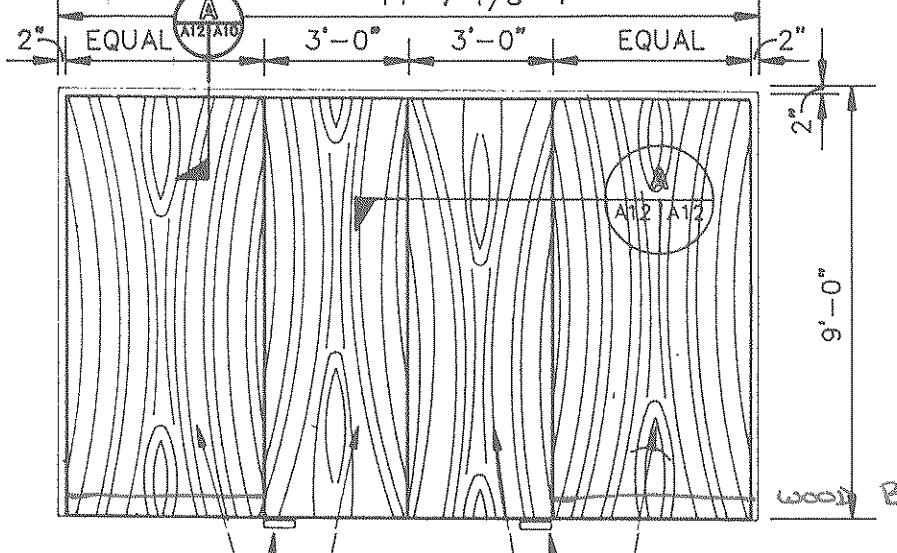
**FRAMED & GLAZED OPENING
ROOMS # 185 & #187**

SCALE: 1/4" = 1' - 0"

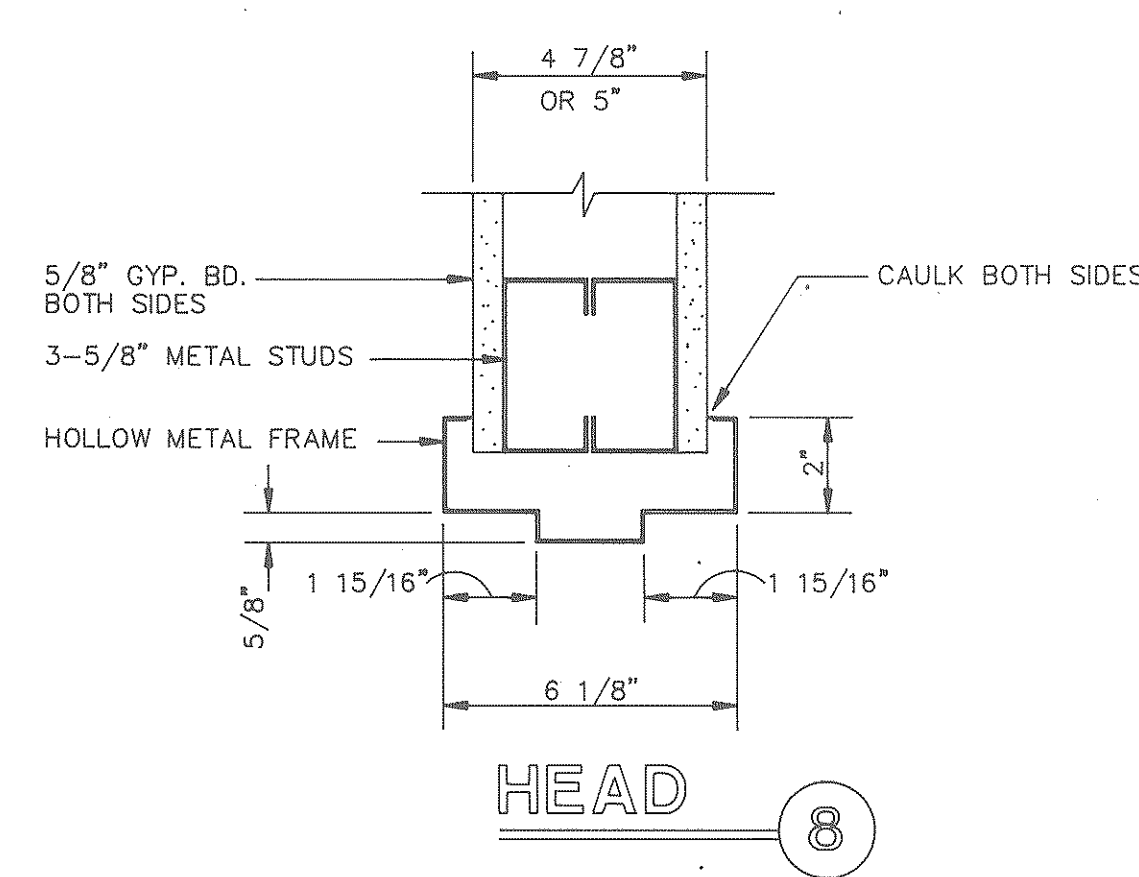


DOOR ELEVATIONS

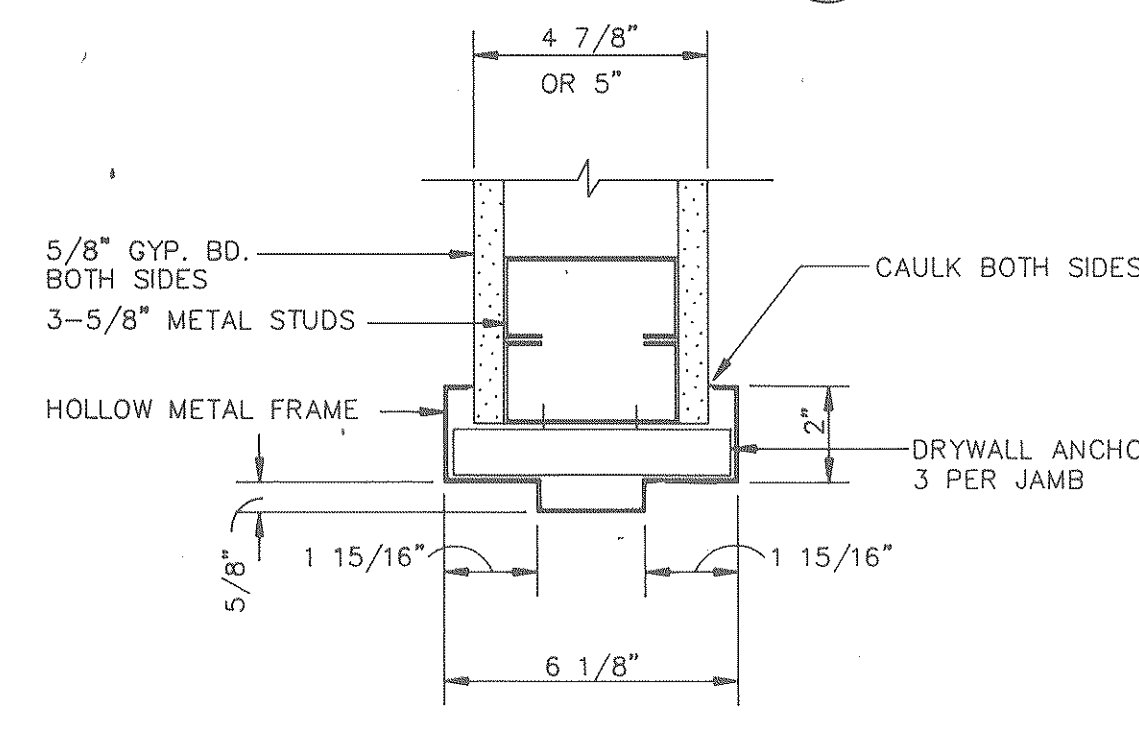
SCALE: 1/4" = 1' - 0"



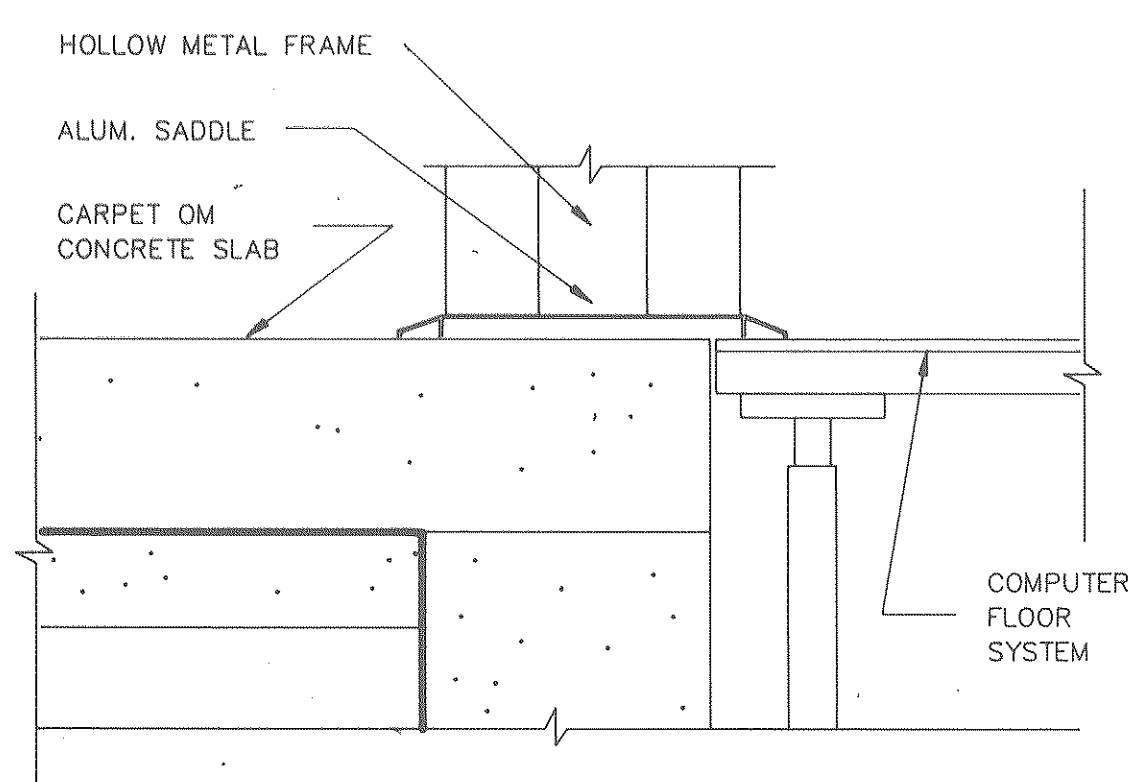
ELEVATION E



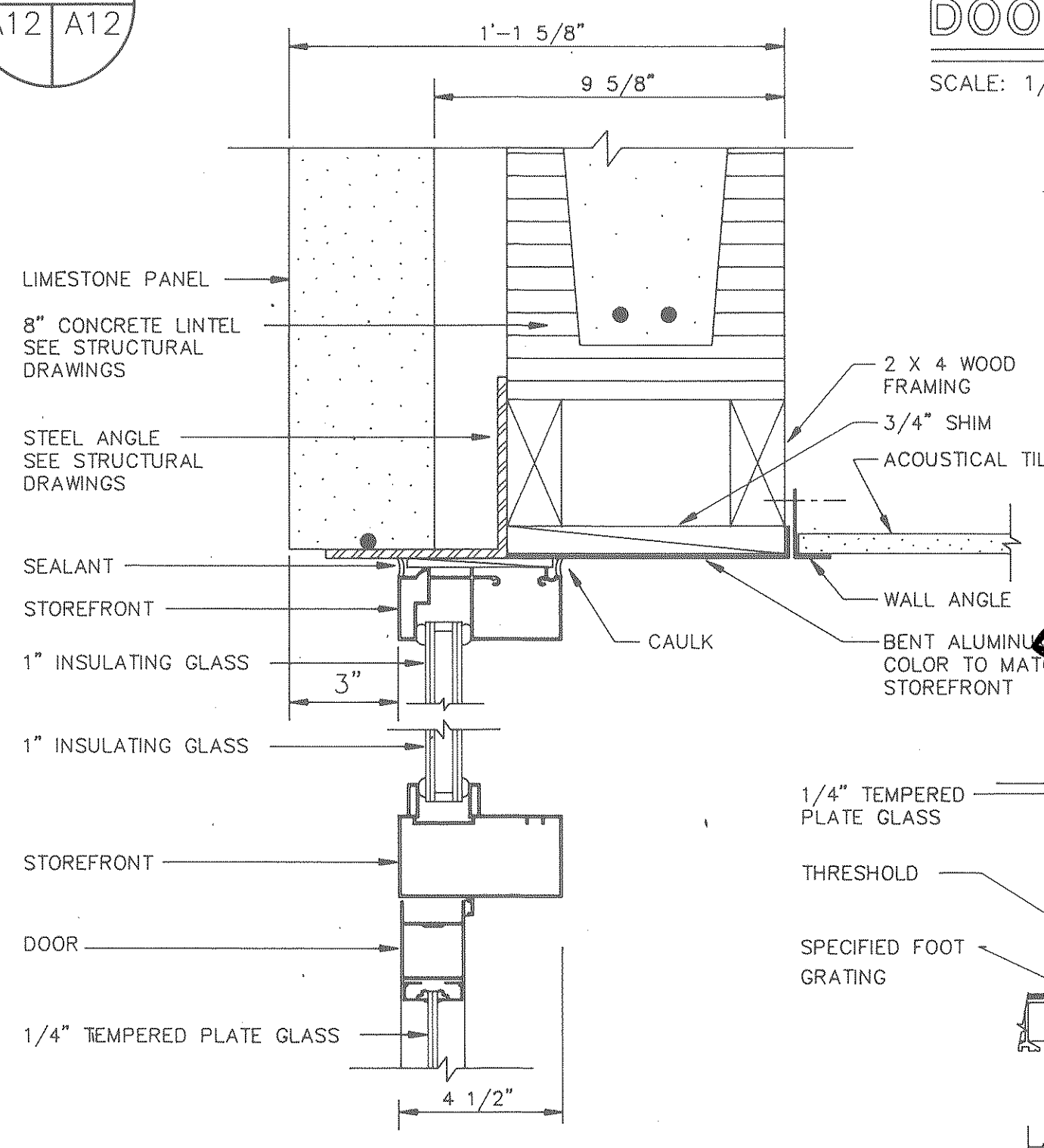
HEAD 8



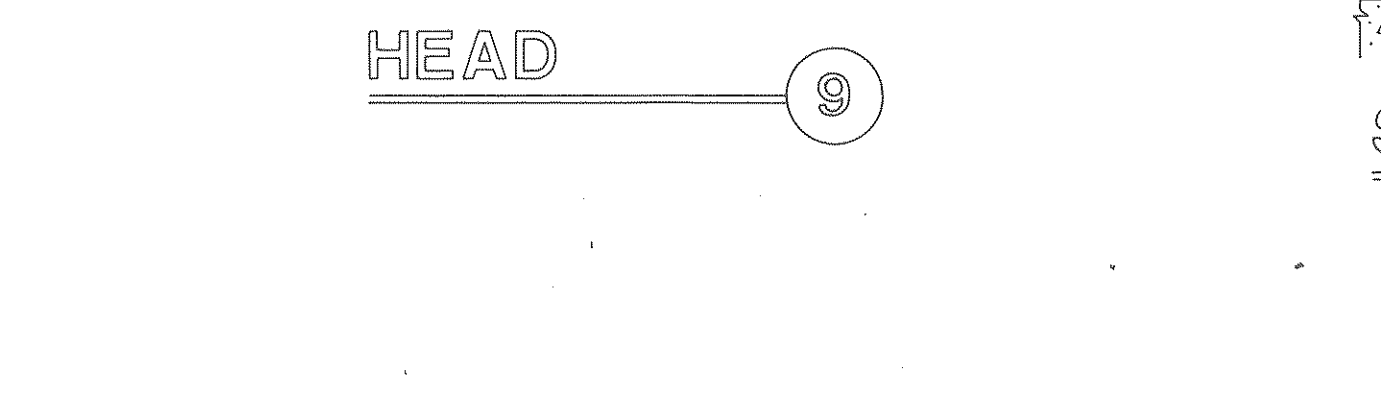
JAMB 8



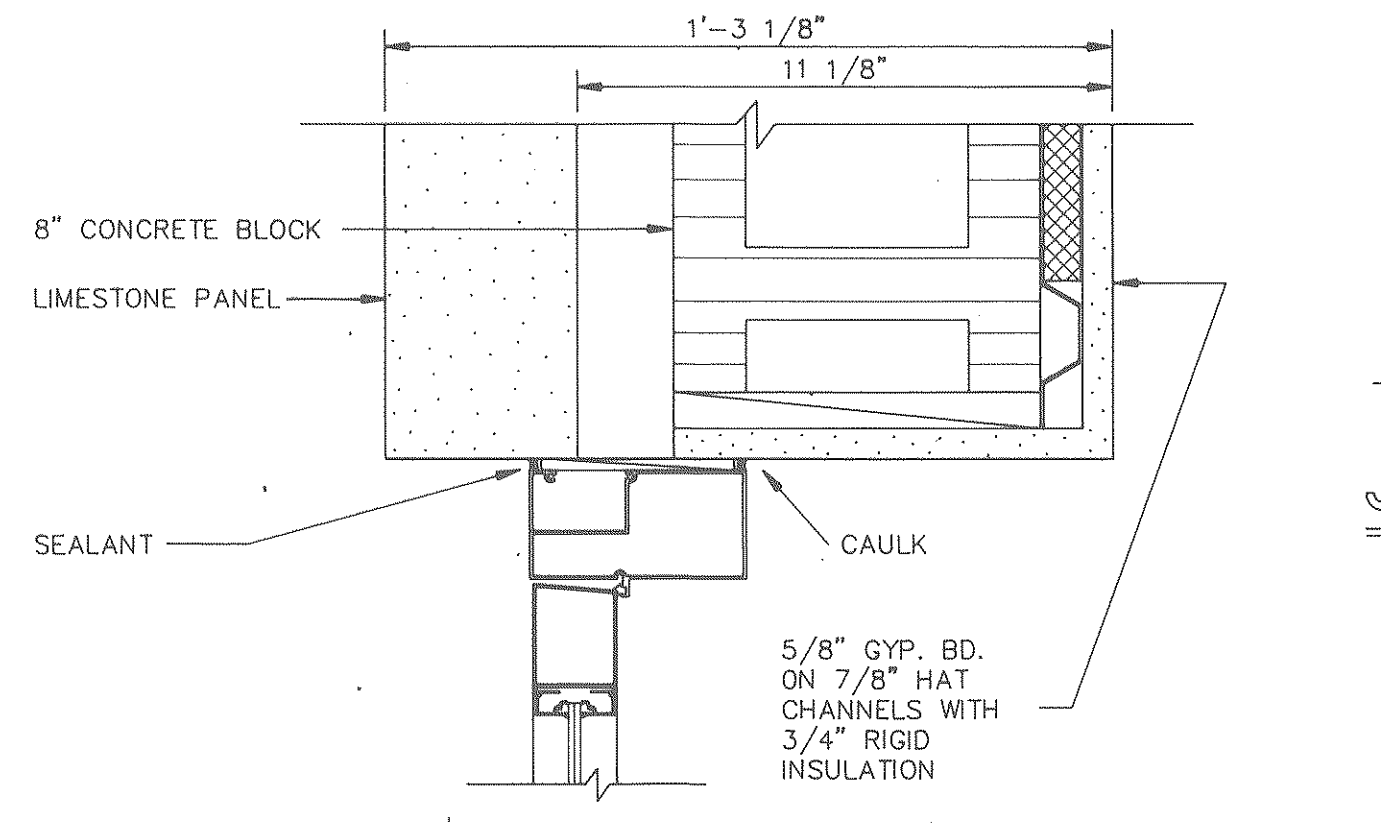
SILL 8



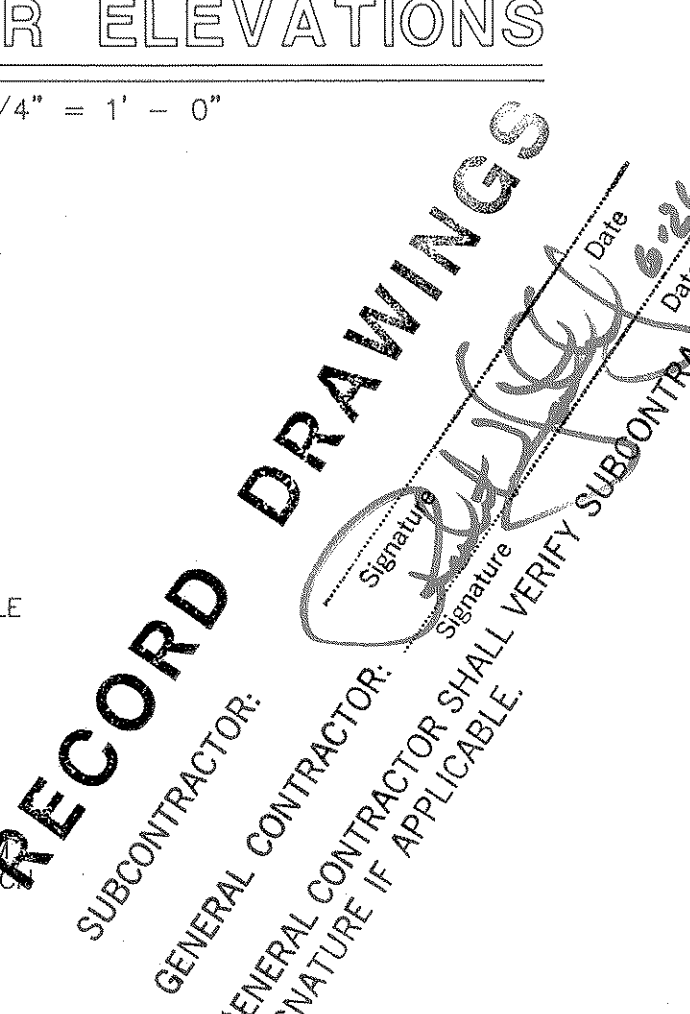
HEAD 9



SILL 9



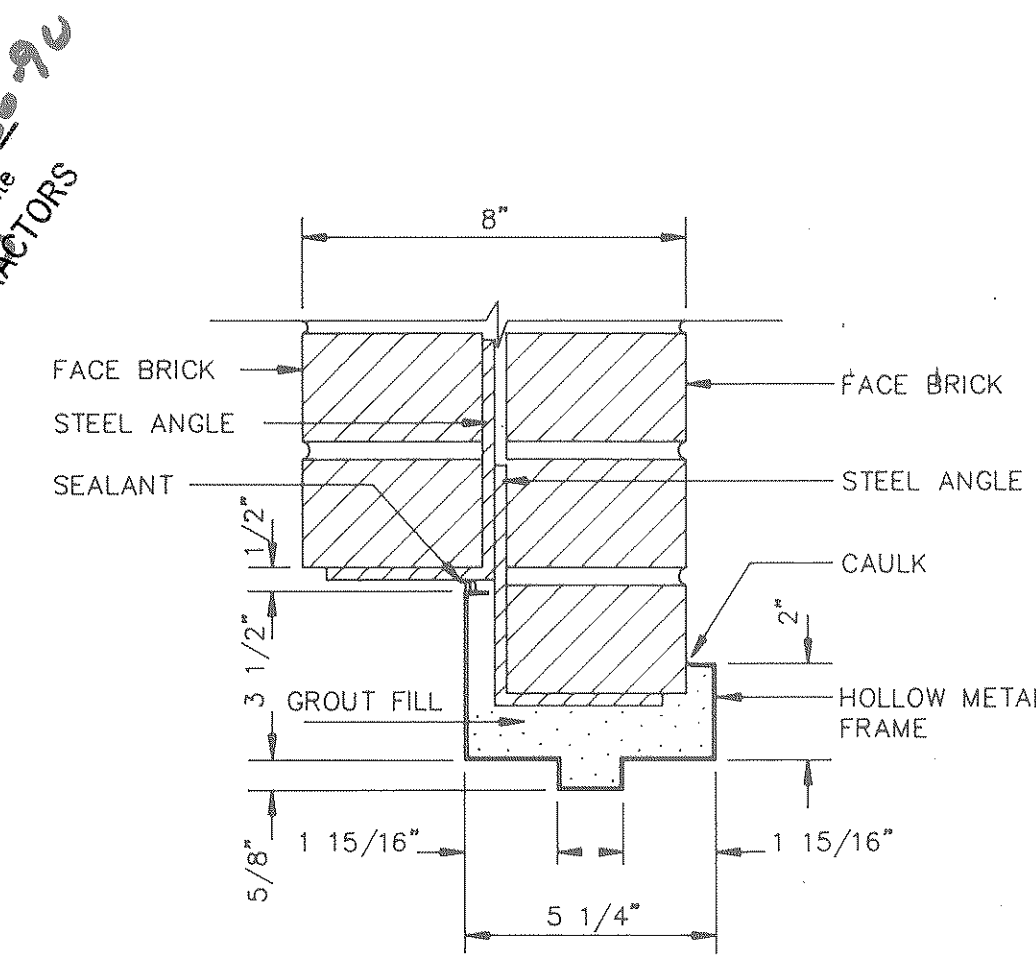
JAMB 9



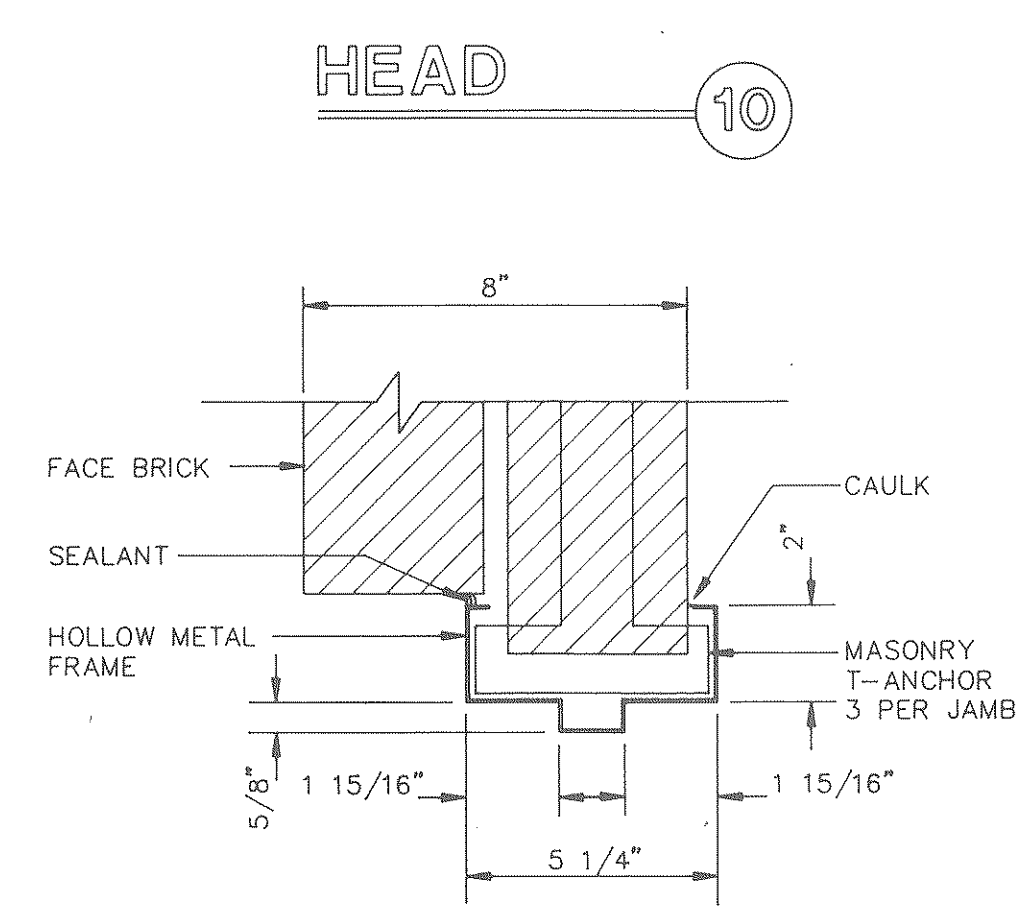
JAMB MULLION 9

**DOOR FRAME DETAILS
(SECTIONS)**

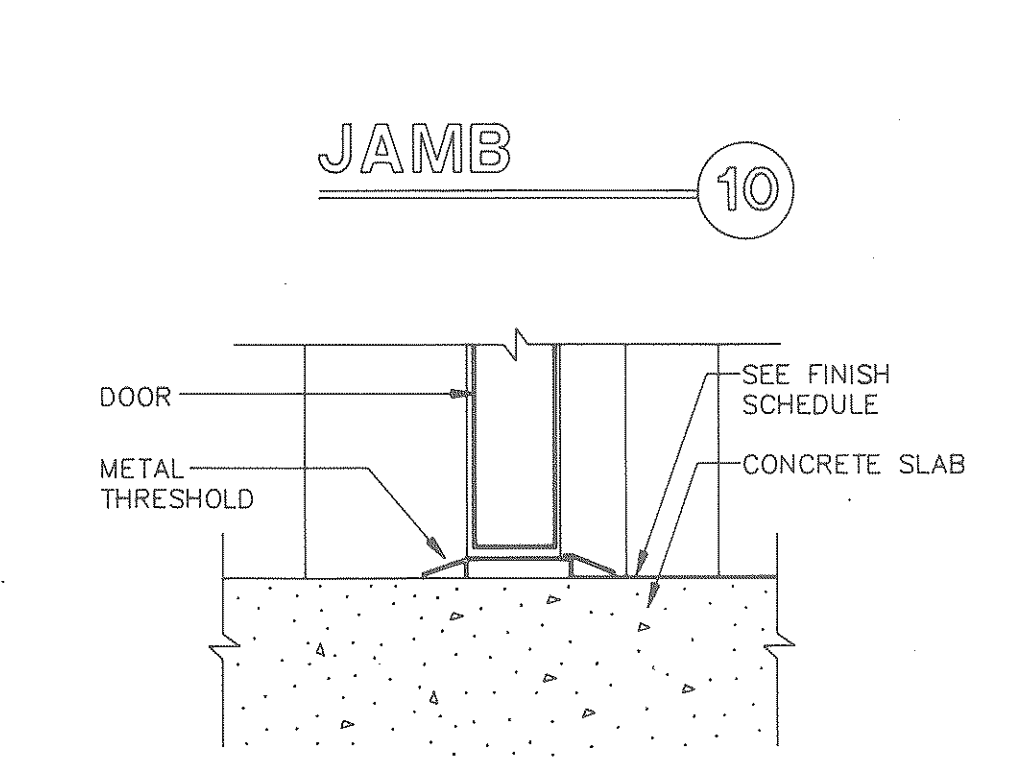
SCALE: 3" = 1' - 0"



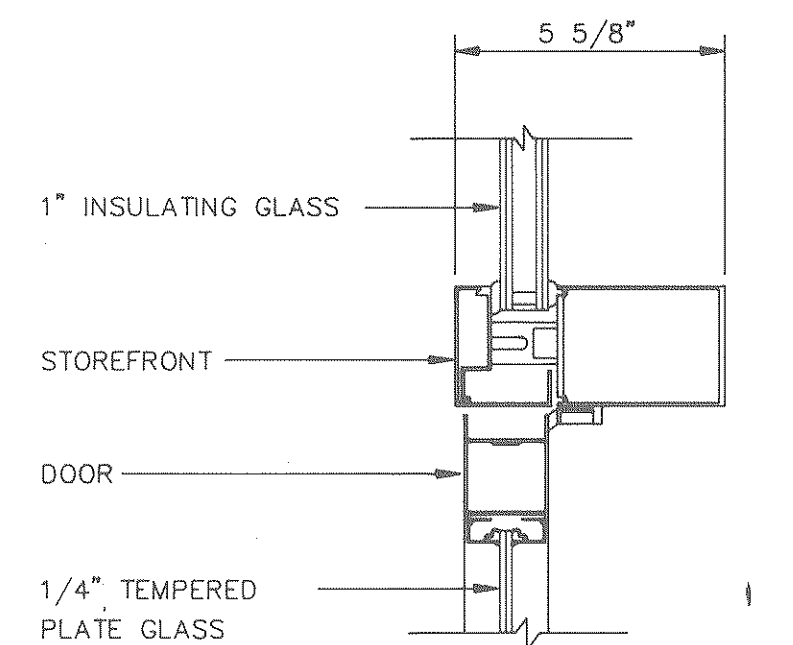
HEAD 10



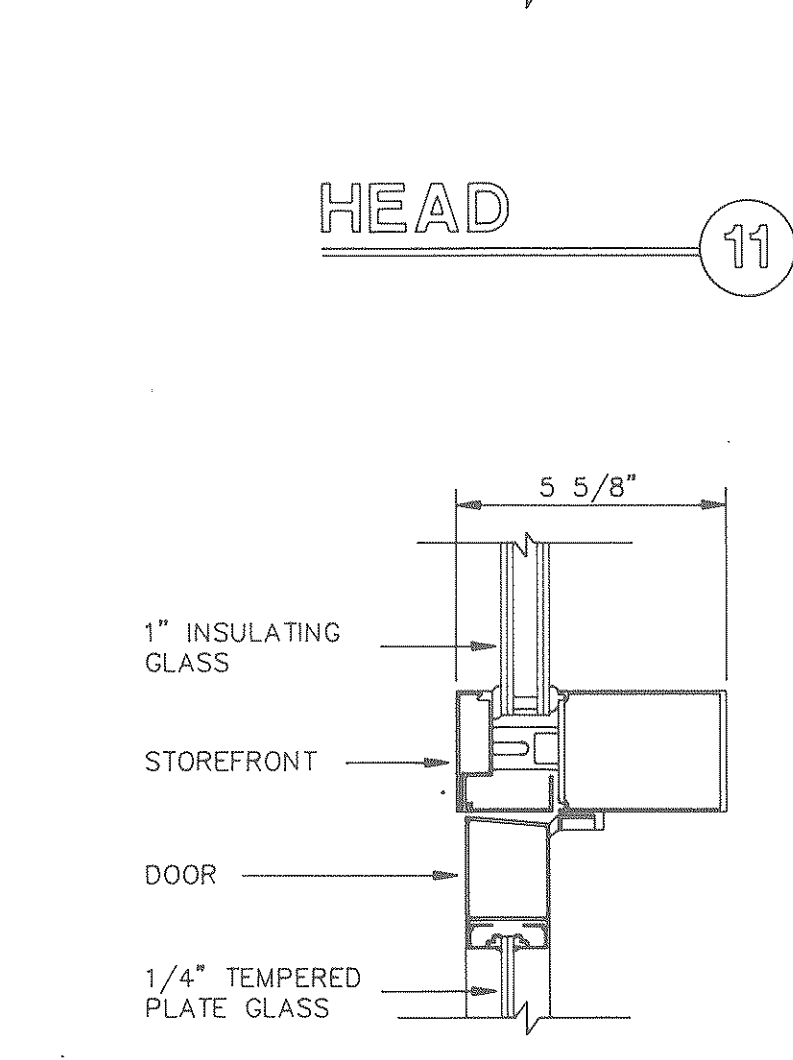
JAMB 10



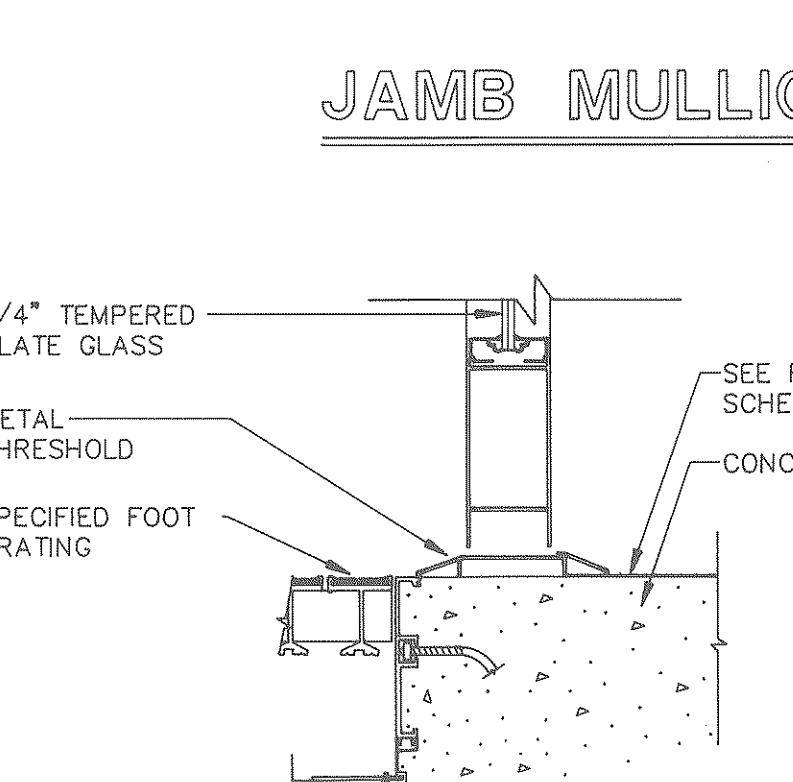
SILL 10



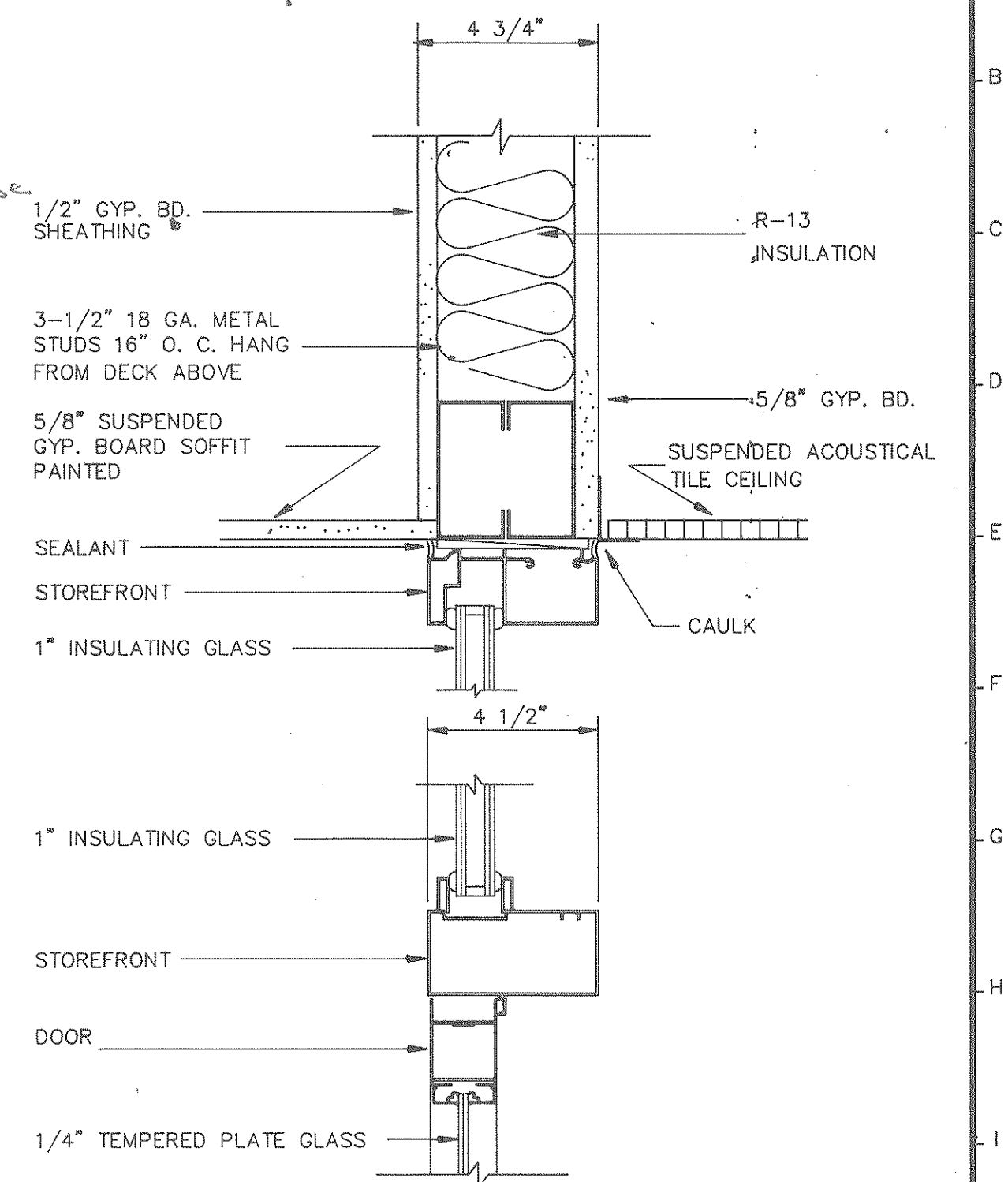
HEAD 11



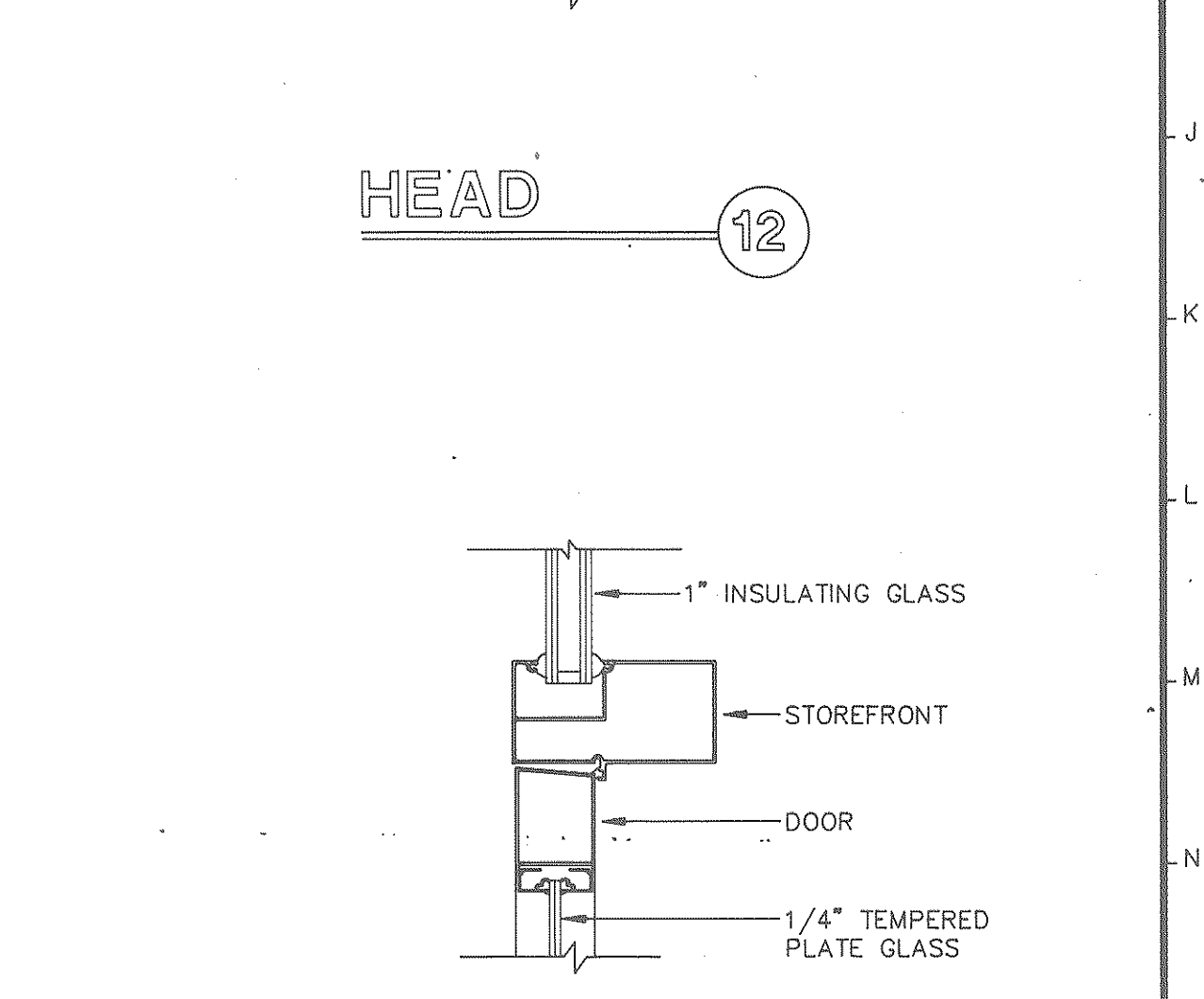
JAMB MULLION 11



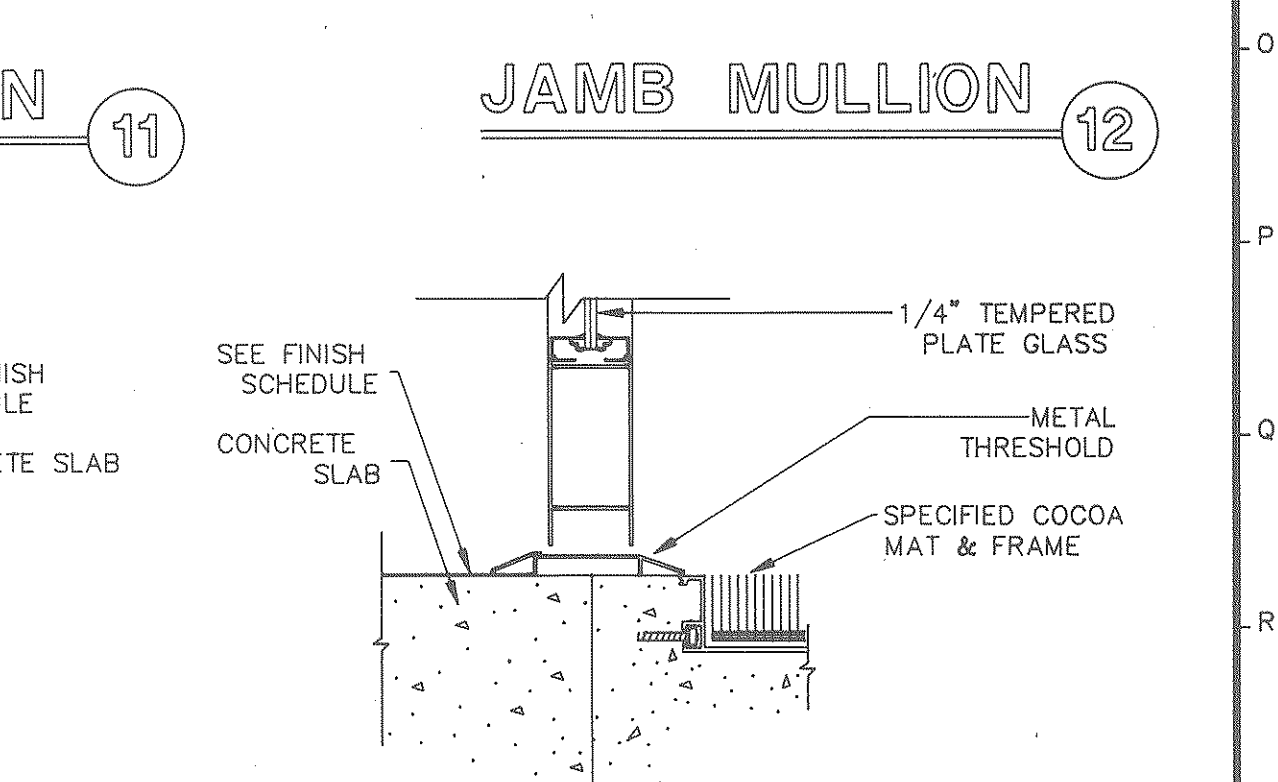
SILL 11



HEAD 12



JAMB MULLION 12



SILL 12

RECORD DRAWINGS
SUBCONTRACTOR: _____ DATE: _____
GENERAL CONTRACTOR: _____ DATE: _____
SIGNATURE IF APPLICABLE



AGENCY OR INSTITUTION
DEPARTMENT OF MENTAL RETARDATION

PROFESSIONAL SEAL
SOUTH CAROLINA REGISTERED ARCHITECT
NO. 1599
THOMAS W. SALMONS, III

A & E FIRM
CARLISLE ASSOCIATES
1015 GERVAIS STREET
P.O. BOX 11528
COLUMBIA, SC 29211
(803) 252-3232

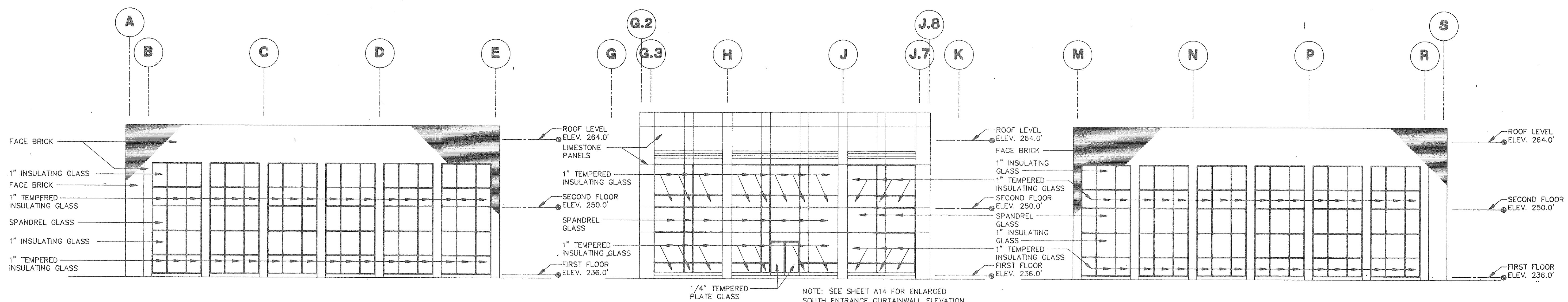
SHEET TITLE
**DOOR ELEVATIONS
DOOR FRAME DETAILS
(SECTIONS)
GLAZED H.M. FRAME ELEV'S.**

PROJECT TITLE
**CENTRAL OFFICE BUILDING
PHASE II**

STATE PROJECT NO. **J16-8933**
DRAWING NO. **S75-A12**
DATE **4/1/88**

SHEET **A12** OF **25**

REVISION NO. DATE BY APP. A & E PROJECT NO. DRAWN BY CHECKED BY FINAL APP.



SOUTH SOUTHEAST ELEVATION

SCALE: 3/32" = 1' - 0"

SOUTH ELEVATION

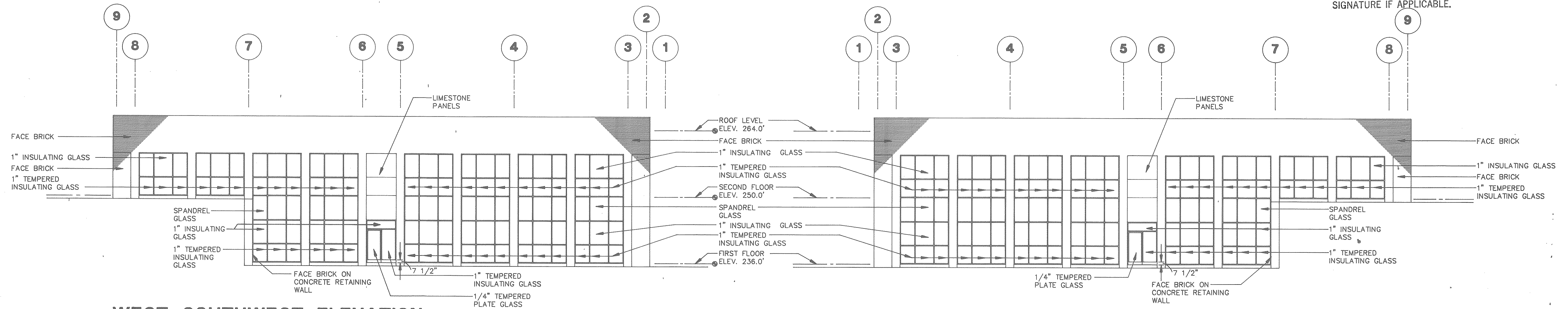
SCALE: 3/32" = 1' - 0"

SOUTH SOUTHWEST ELEVATION

SCALE: 3/32" = 1' - 0"

RECORD DRAWINGS

SUBCONTRACTOR: _____
 GENERAL CONTRACTOR: _____
 GENERAL CONTRACTOR SHALL VERIFY SUBCONTRACTORS SIGNATURE IF APPLICABLE.



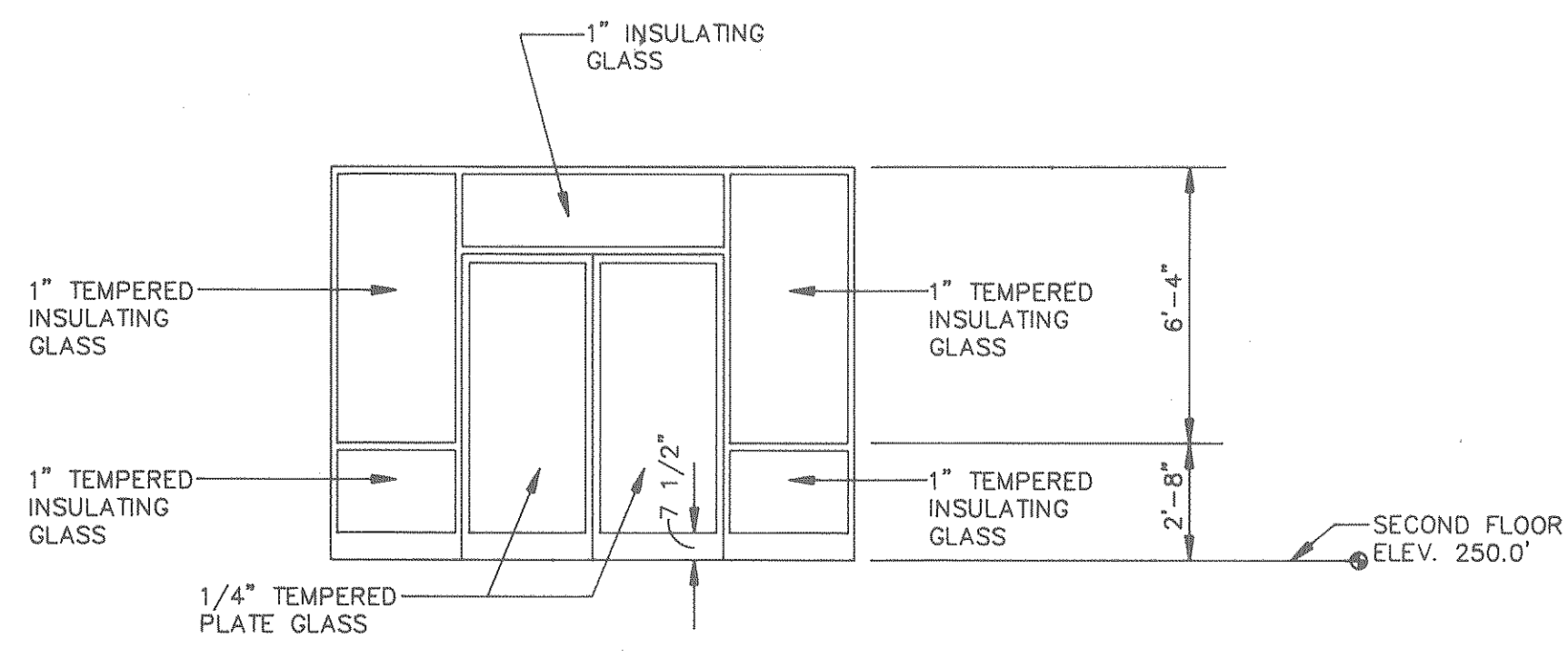
WEST SOUTHWEST ELEVATION

SCALE: 3/32" = 1' - 0"

EAST SOUTHEAST ELEVATION

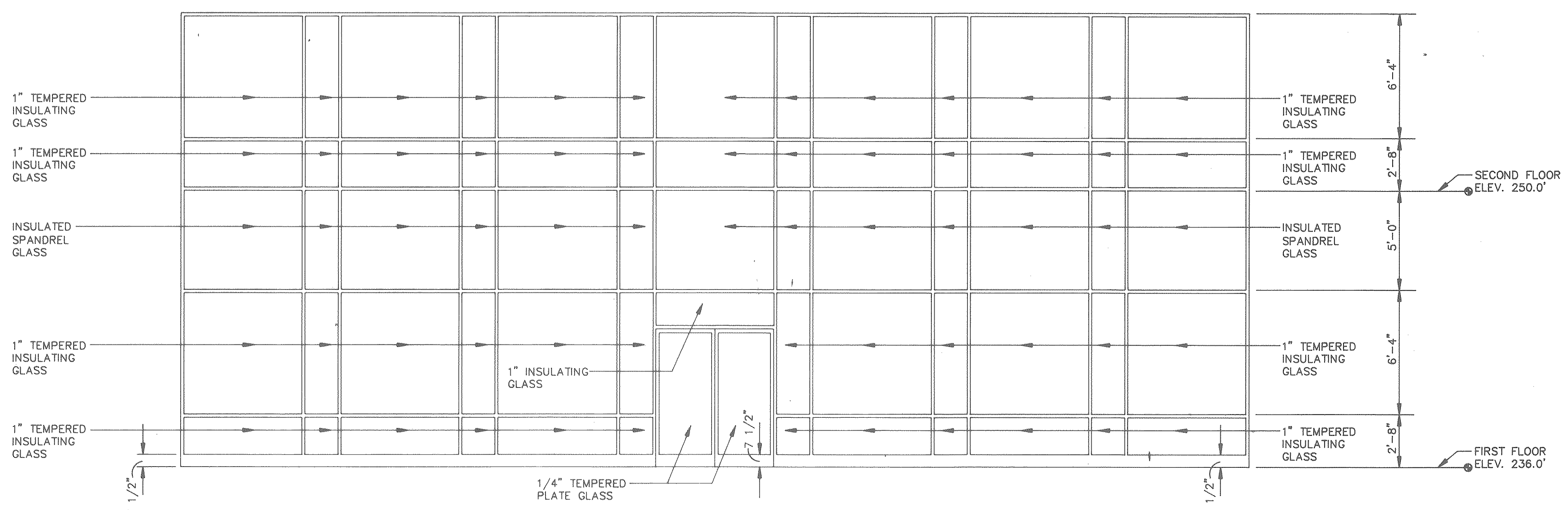
SCALE: 3/32" = 1' - 0"

<p>The State of South Carolina</p>	<p>DEPARTMENT OF MENTAL RETARDATION</p>		<p>CARLISLE ASSOCIATES 1015 GERVAIS STREET P.O. BOX 11528 COLUMBIA, SC 29211 (803) 252-3232</p>	<p>SHEET TITLE</p> <p>ELEVATIONS</p>	<p>PROJECT TITLE</p> <p>CENTRAL OFFICE BUILDING PHASE II</p>
<p>DIVISION</p>			<p>REVISION NO. DATE BY APP.</p>	<p>A & E PROJECT NO.</p>	<p>DATE 4/1/88</p>



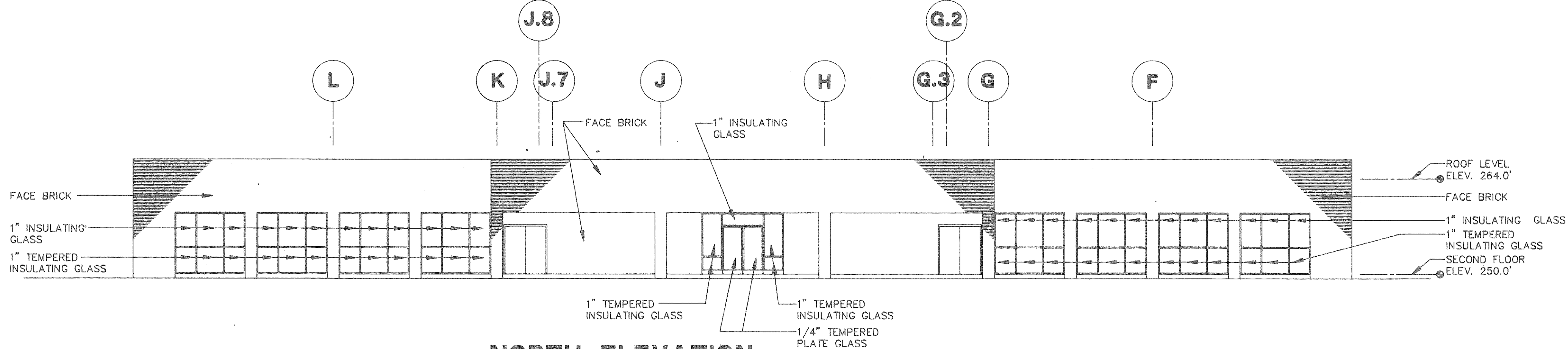
ENLARGED NORTH ENTRANCE CURTAINWALL

SCALE: 1/4" = 1' - 0"



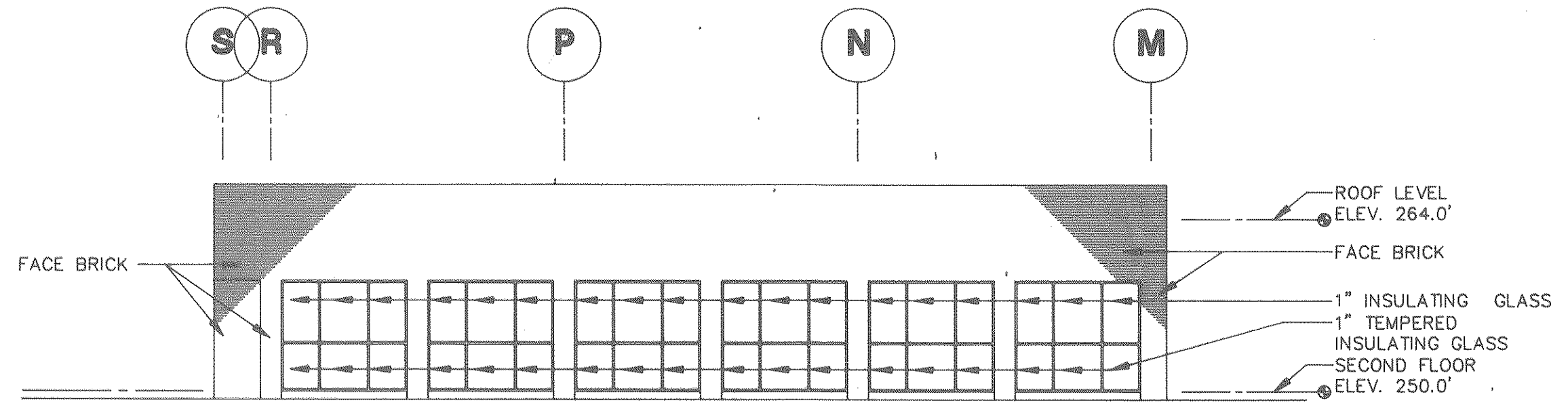
ENLARGED SOUTH ENTRANCE CURTAINWALL

SCALE: 1/4" = 1' - 0"



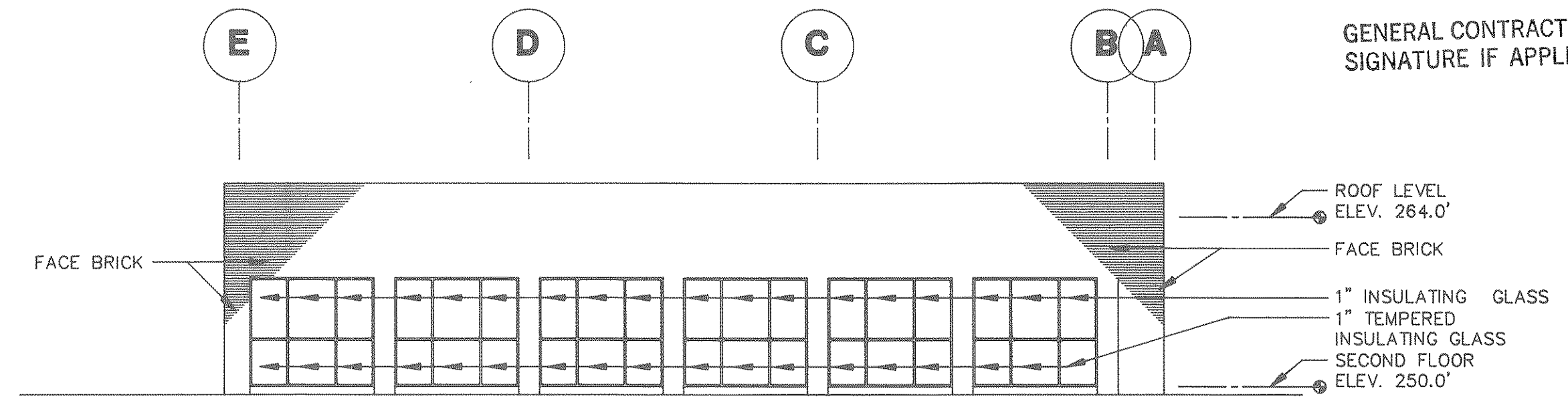
NORTH ELEVATION

SCALE: 3/32" = 1' - 0"



NORTH NORTHEAST ELEVATION

SCALE: 3/32" = 1' - 0"



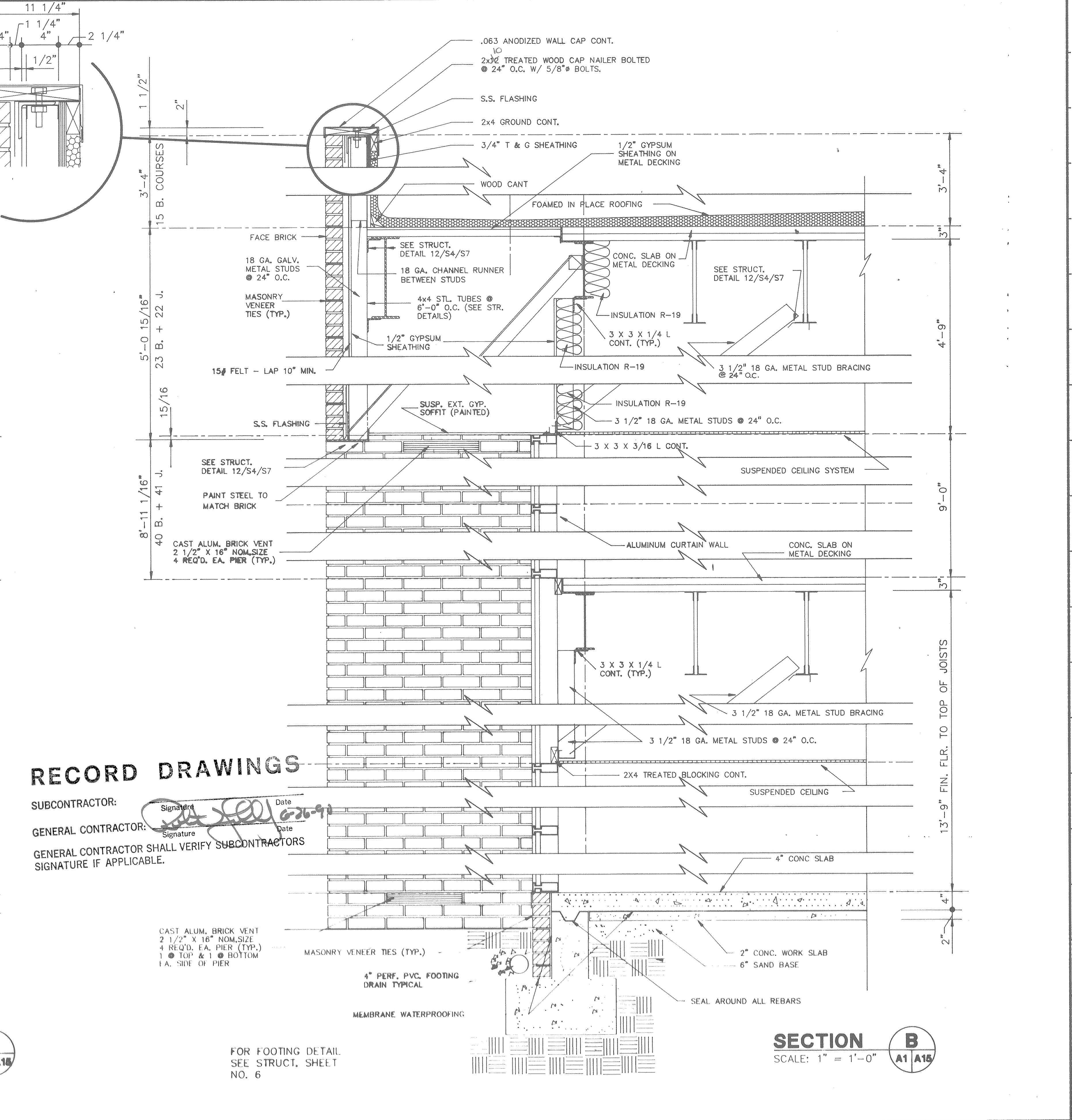
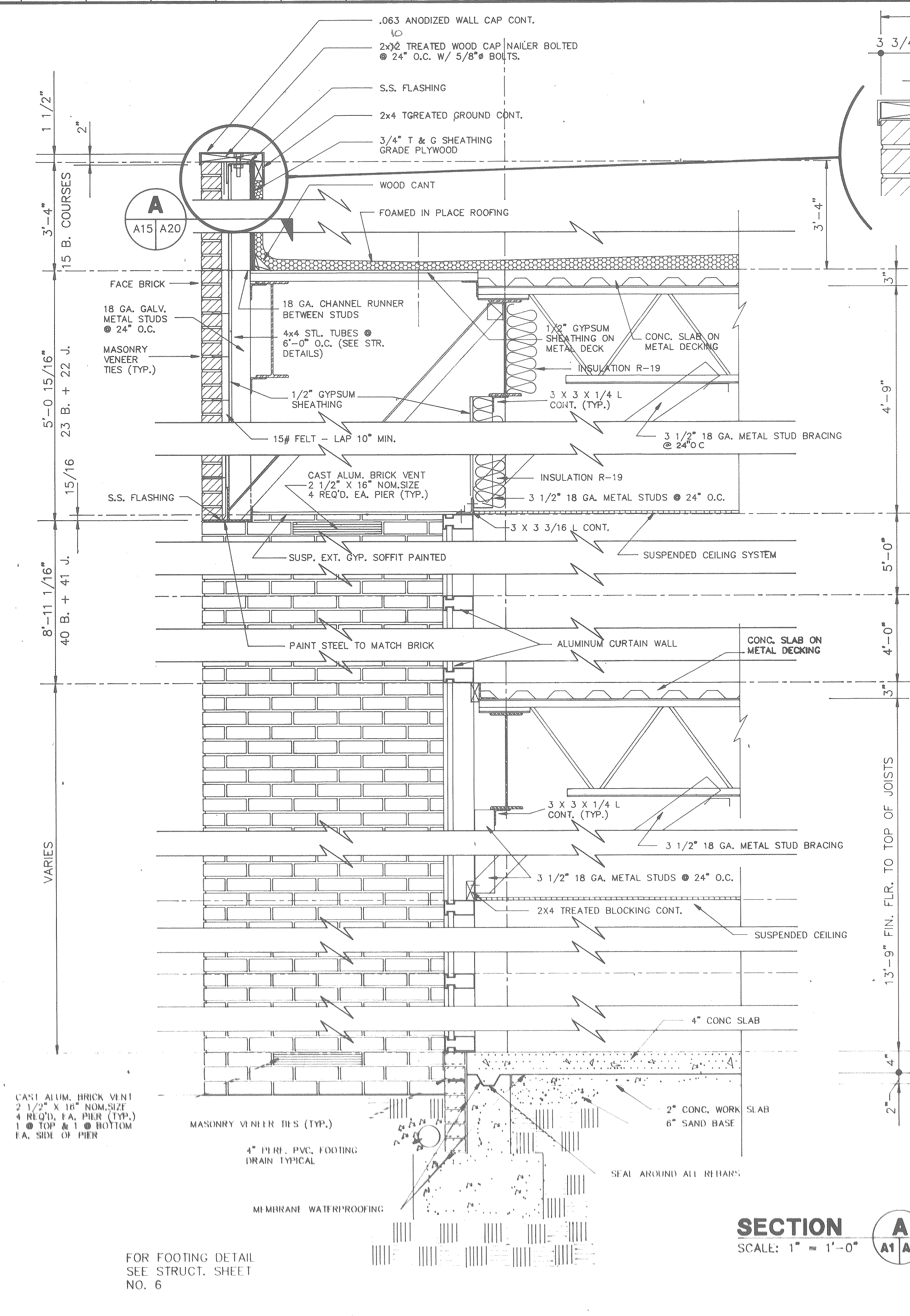
NORTH NORTHWEST ELEVATION

SCALE: 3/32" = 1' - 0"

RECORD DRAWINGS

SUBCONTRACTOR: _____ Date 6-26-79
GENERAL CONTRACTOR: _____ Date _____
GENERAL CONTRACTOR SHALL VERIFY SUBCONTRACTORS SIGNATURE IF APPLICABLE.

<p>The State of South Carolina</p>	<p>AGENCY OR INSTITUTION</p> <p>DEPARTMENT OF MENTAL RETARDATION</p>	<p>PROFESSIONAL SEAL</p>	<p>A & E FIRM</p> <p>CARLISLE ASSOCIATES 1015 GERSVAIS STREET P.O. BOX 11528 COLUMBIA, SC 29211 (803) 252-3232</p>	<p>SHEET TITLE</p> <p>ELEVATIONS</p>	<p>PROJECT TITLE</p> <p>CENTRAL OFFICE BUILDING PHASE II</p>
	<p>DIVISION</p>	<p>REVISION NO.</p> <p>DATE</p> <p>BY</p> <p>APP.</p>	<p>A & E PROJECT NO.</p>	<p>DRAWN BY</p> <p>CHECKED BY</p> <p>FINAL APP.</p>	<p>STATE PROJECT NO. J16-8933</p> <p>DRAWING NO. S75-A14</p> <p>DATE 4/1/88</p>



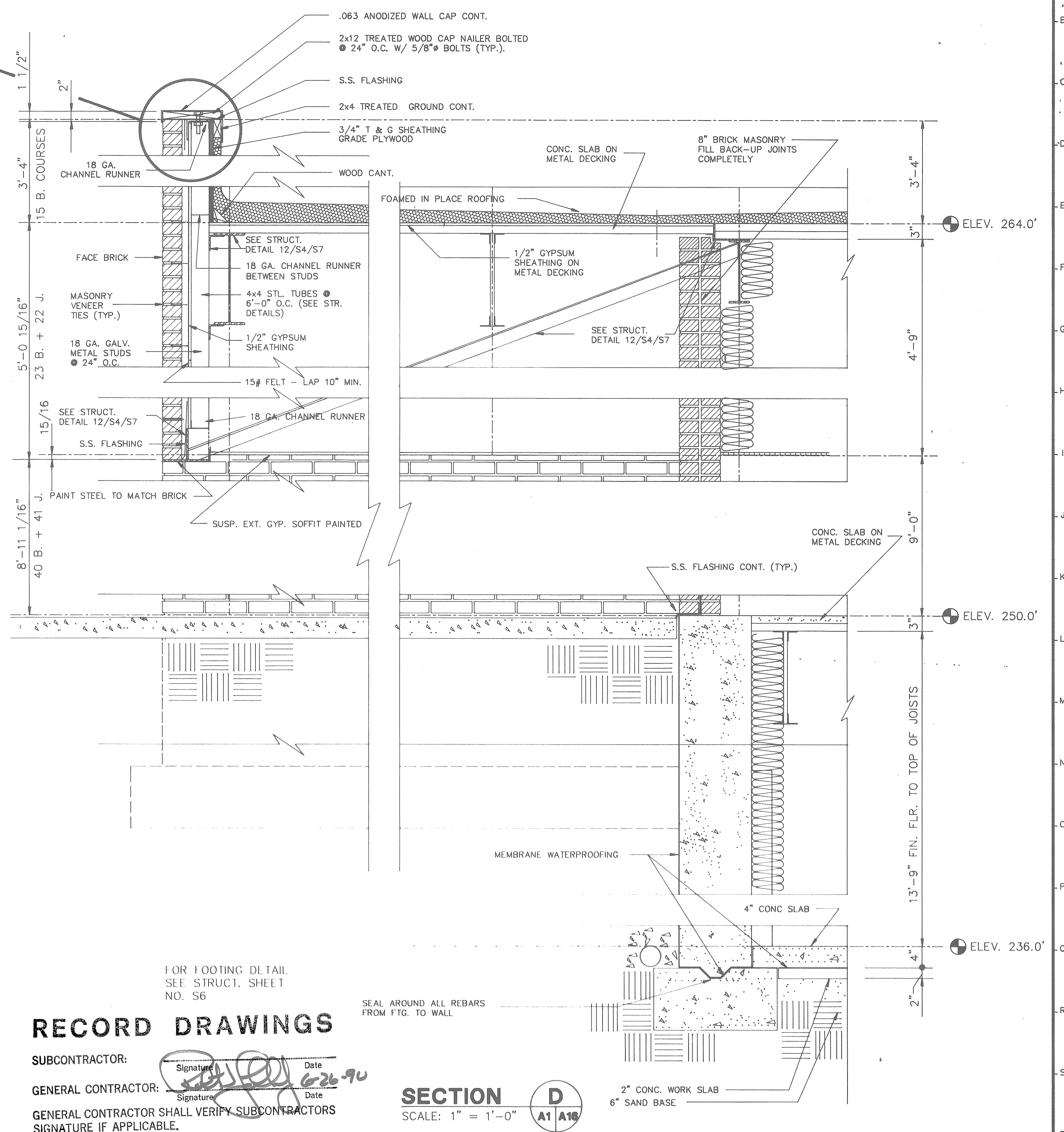
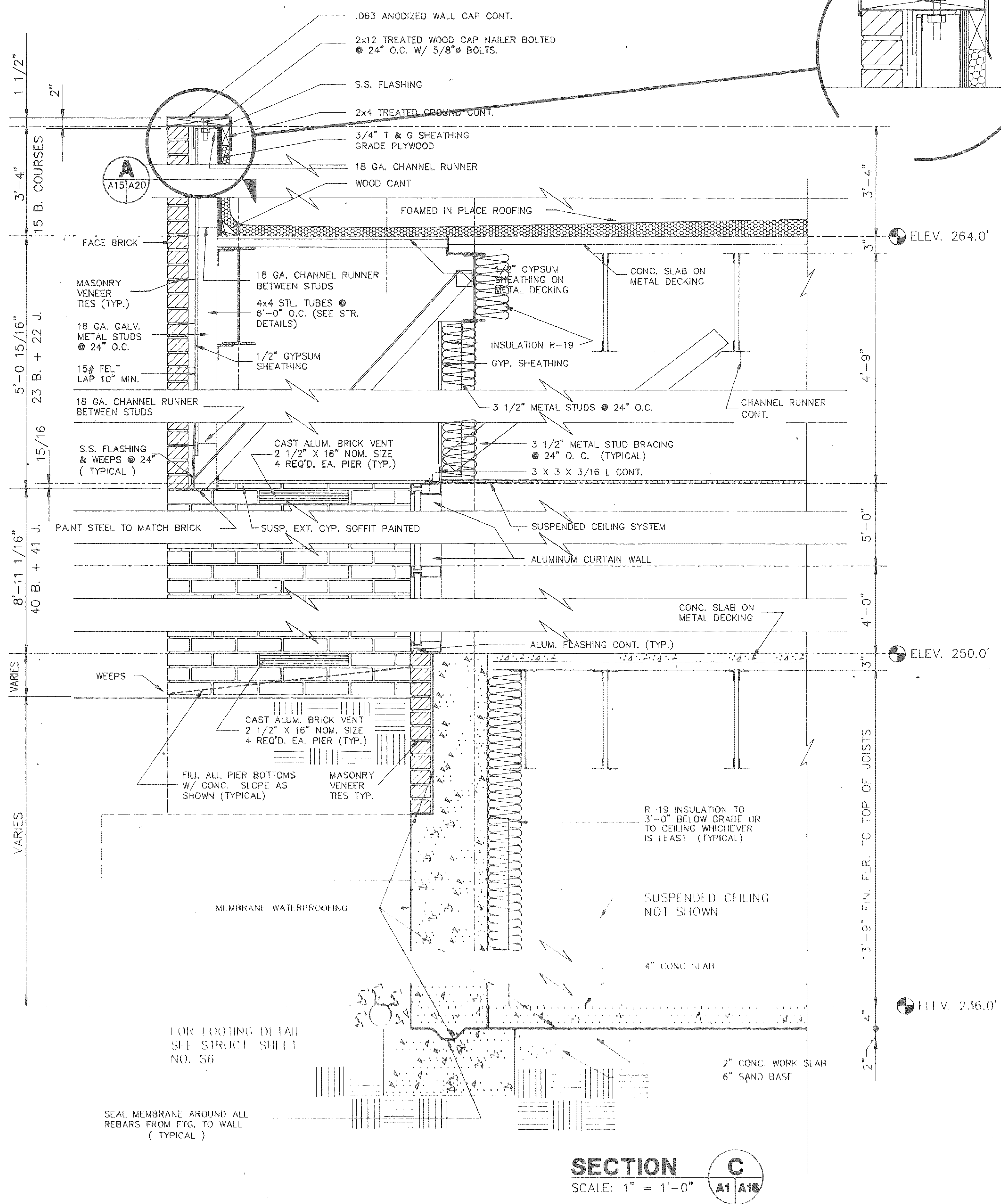
RECORD DRAWINGS

SUBCONTRACTOR: _____ Date _____
 GENERAL CONTRACTOR: _____ Date _____
 GENERAL CONTRACTOR SHALL VERIFY SUBCONTRACTORS SIGNATURE IF APPLICABLE.

SECTION A
 SCALE: 1" = 1'-0"
 A1 A15

SECTION B
 SCALE: 1" = 1'-0"
 A1 A15

<p>The State of South Carolina</p>	<p>DEPARTMENT OF MENTAL RETARDATION</p>		<p>CARLISLE ASSOCIATES 1015 GERVAIS STREET P.O. BOX 11528 COLUMBIA, SC 29211 (803) 252-3232</p>	<p>SHEET TITLE</p> <p>WALL SECTIONS</p>	<p>PROJECT TITLE</p> <p>CENTRAL OFFICE BUILDING PHASE II</p>			
						<p>AGENCY OR INSTITUTION</p>	<p>PROFESSIONAL SEAL</p>	<p>A & E FIRM</p>
<p>DIVISION</p>	<p>REVISION NO.</p>	<p>DATE</p>	<p>BY</p>	<p>APP.</p>	<p>A & E PROJECT NO.</p>	<p>DRAWN BY</p>	<p>CHECKED BY</p>	<p>FINAL APP.</p>

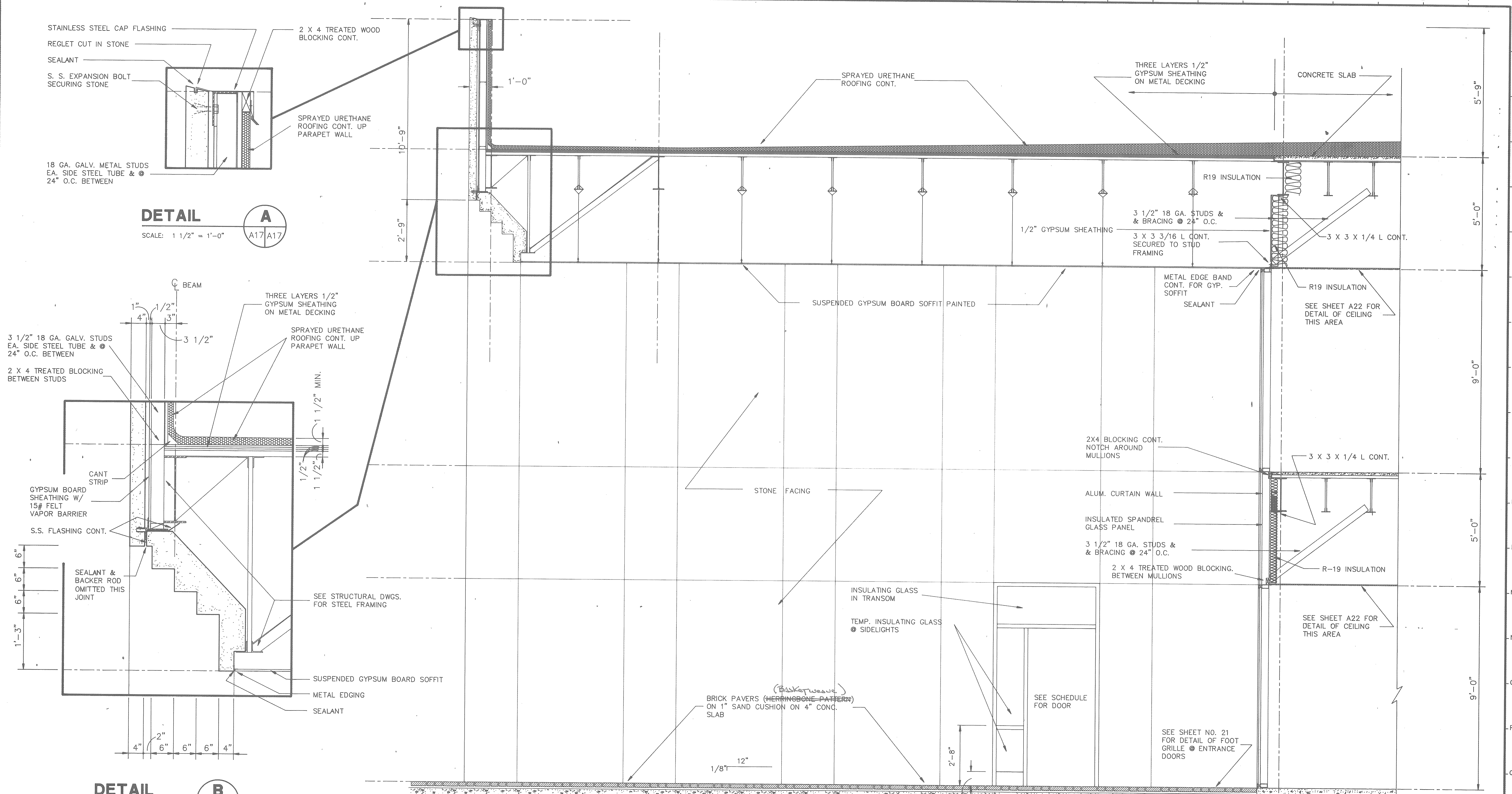


RECORD DRAWINGS

SUBCONTRACTOR: _____
 GENERAL CONTRACTOR: _____
 GENERAL CONTRACTOR SHALL VERIFY SUBCONTRACTORS SIGNATURE IF APPLICABLE.

SECTION D
SCALE: 1" = 1'-0"
A1 A16

<p>The State of South Carolina</p>	<p>DEPARTMENT OF MENTAL RETARDATION</p>	<p>PROFESSIONAL SEAL</p>	<p>A & E FIRM</p> <p>CARLISLE ASSOCIATES 1015 GERVAIS STREET P.O. BOX 11528 COLUMBIA, SC 29211 (803) 252-3232</p>	<p>SHEET TITLE</p> <p>WALL SECTIONS</p>	<p>PROJECT TITLE</p> <p>CENTRAL OFFICE BUILDING PHASE II</p>		
					<p>REVISION NO. DATE BY APP.</p>	<p>A & E PROJECT NO.</p>	<p>DRAWN BY</p>



DETAIL A
SCALE: 1 1/2" = 1'-0"
A17 A17

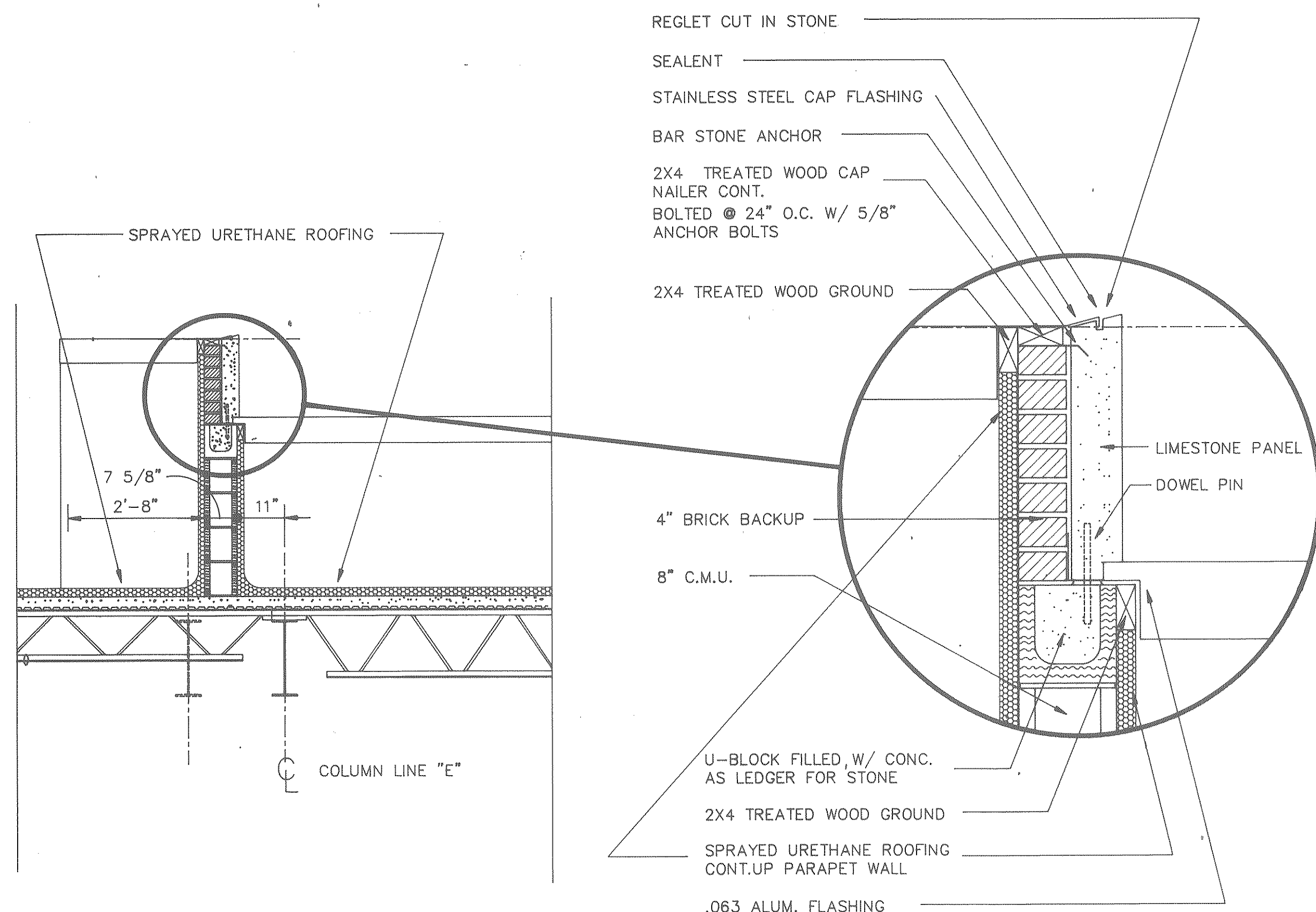
DETAIL B
SCALE: 1" = 1'-0"
A17 A17

SECTION E
SCALE: 1/2" = 1'-0"
A1 A17

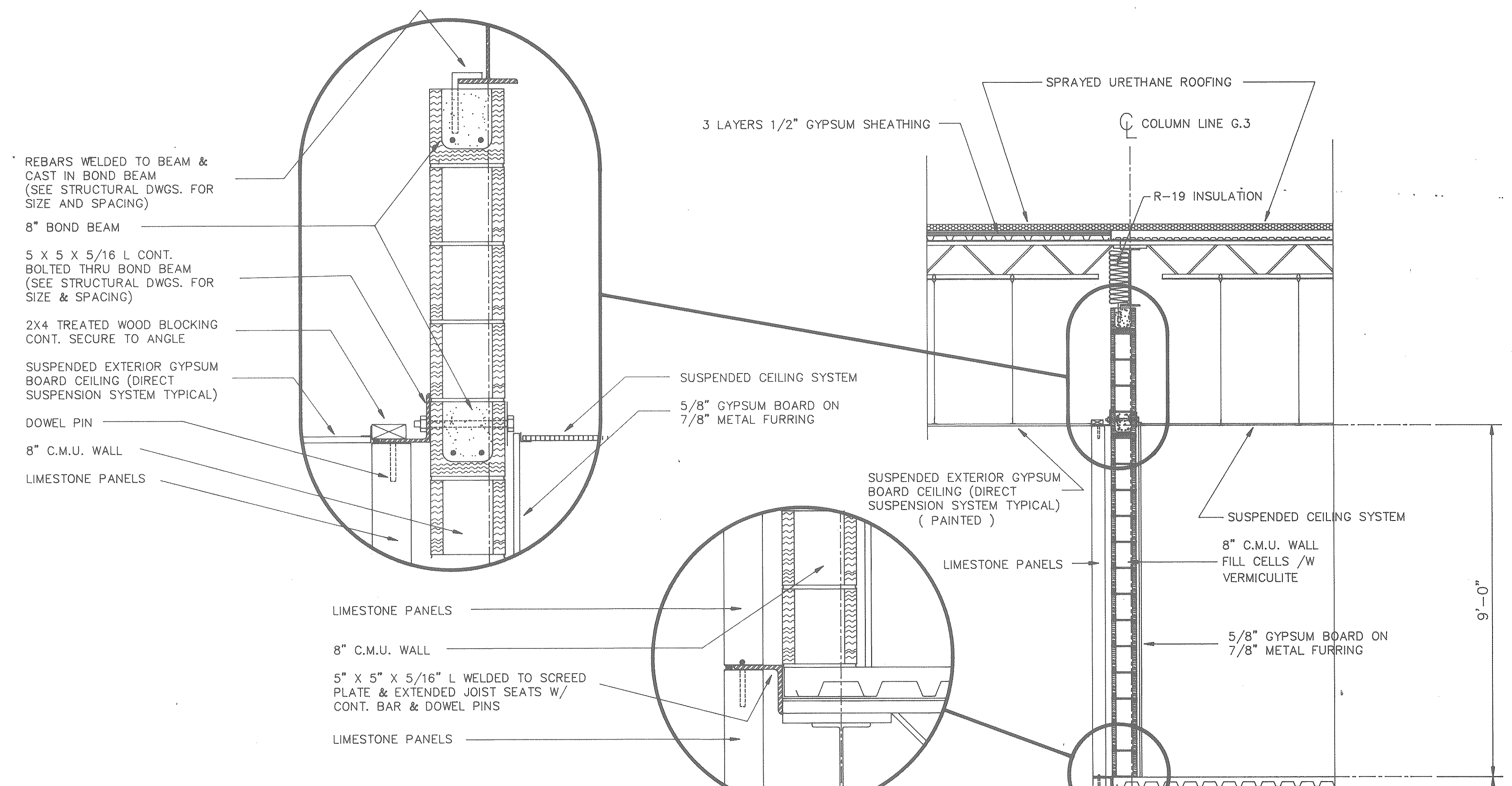
RECORD DRAWINGS

SUBCONTRACTOR: _____ Date _____
 GENERAL CONTRACTOR: _____ Date 6-26-90
 GENERAL CONTRACTOR SHALL VERIFY SUBCONTRACTORS SIGNATURE IF APPLICABLE

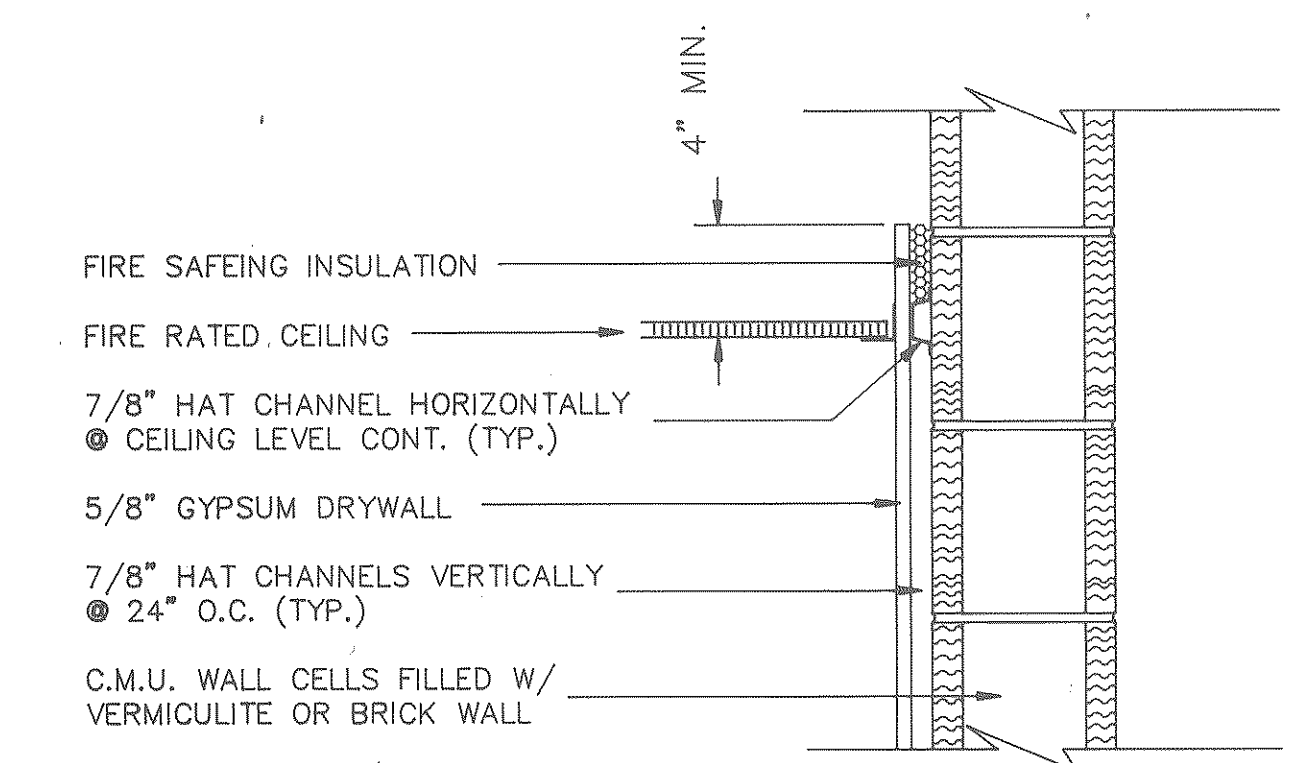
<p>The State of South Carolina</p>	<p>DEPARTMENT OF MENTAL RETARDATION</p>		<p>A & E FIRM</p> <p>CARLISLE ASSOCIATES 1015 GERVAIS STREET P.O. BOX 11528 COLUMBIA, SC 29211 (803) 252-3232</p>	<p>WALL SECTION</p>	<p>PROJECT TITLE</p> <p>CENTRAL OFFICE BUILDING PHASE II</p>	
					<p>STATE PROJECT NO. J16-8933</p>	<p>DRAWING NO. S75-A17</p>
<p>DIVISION</p>			<p>A & E PROJECT NO.</p>	<p>DRAWN BY</p>	<p>CHECKED BY</p>	<p>FINAL APP.</p>



SECTION B
SCALE: 1/2" = 1'-0"



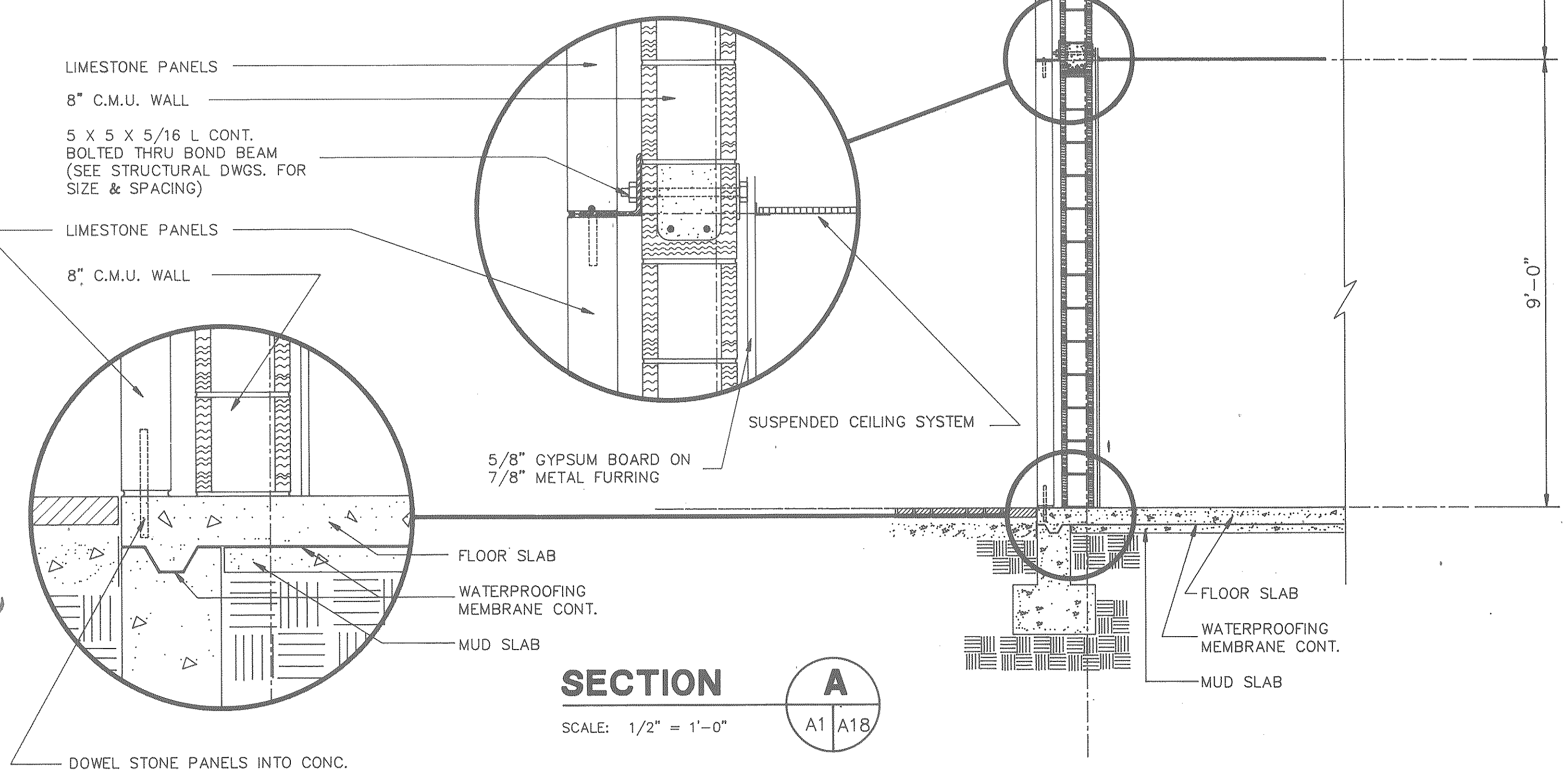
DETAILS
SCALE: 1 1/2" = 1'-0"



DETAIL OF CONDITION @ MASONRY CORRIDOR WALLS
SCALE: 1 1/2" = 1'-0"

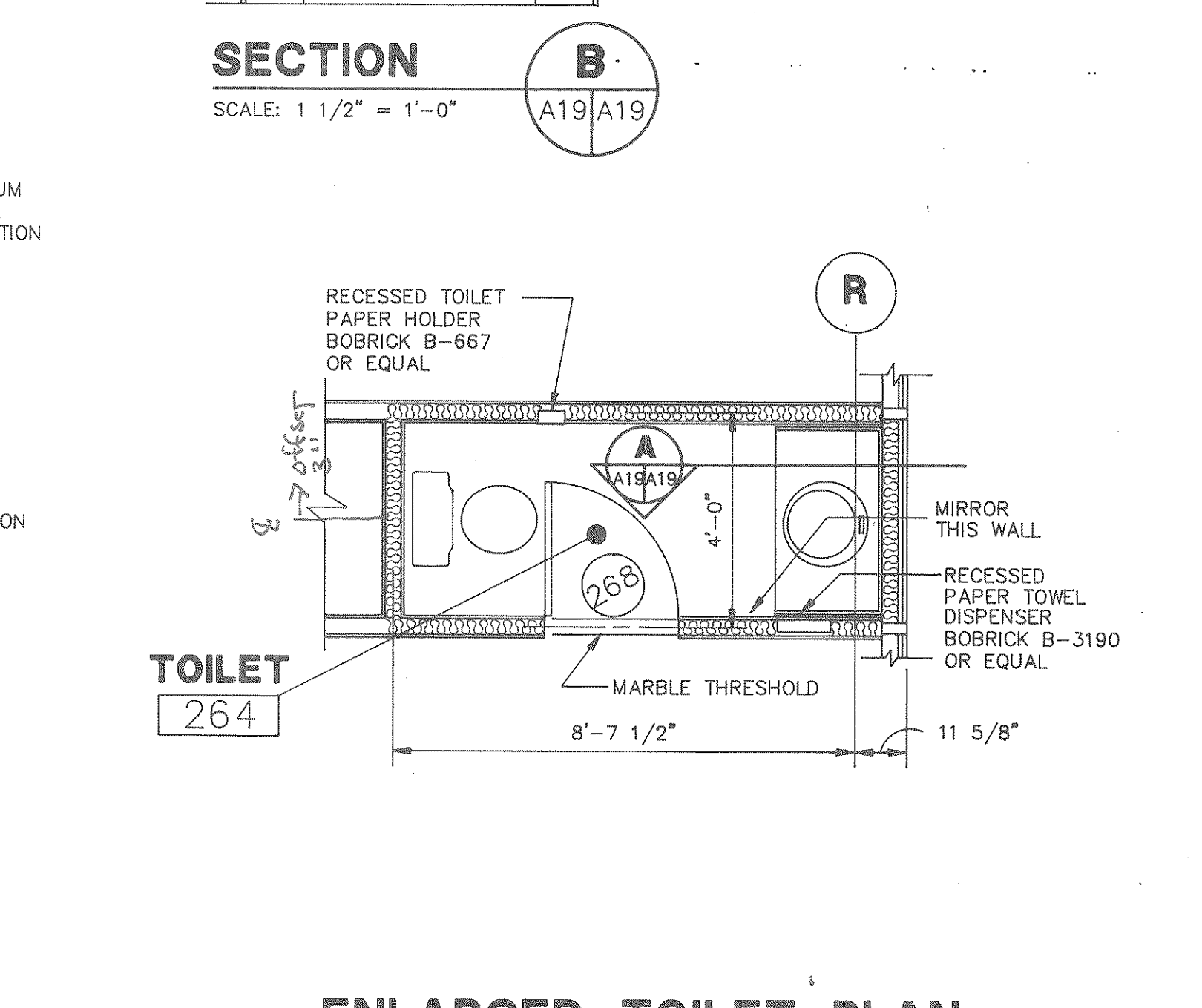
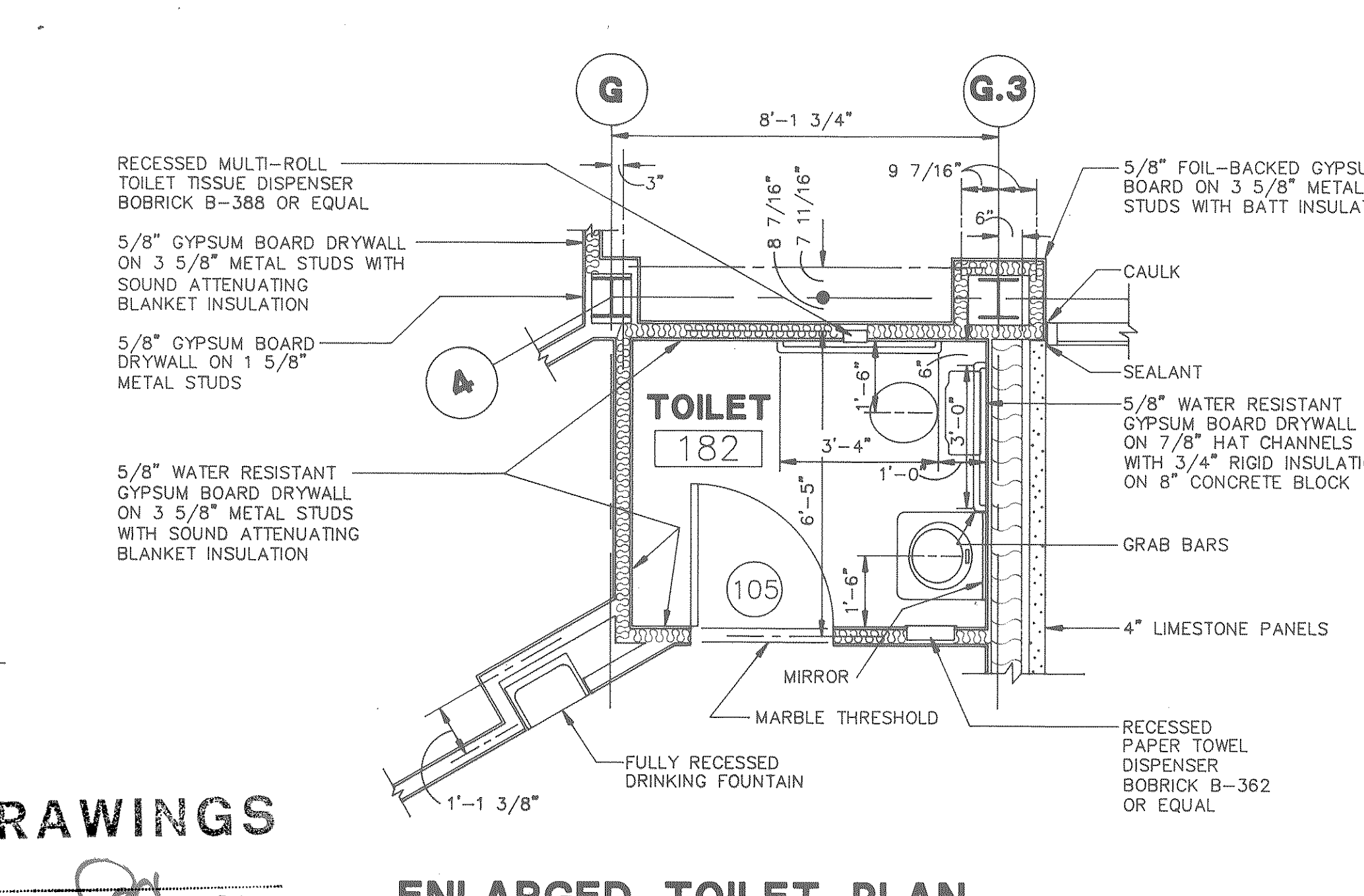
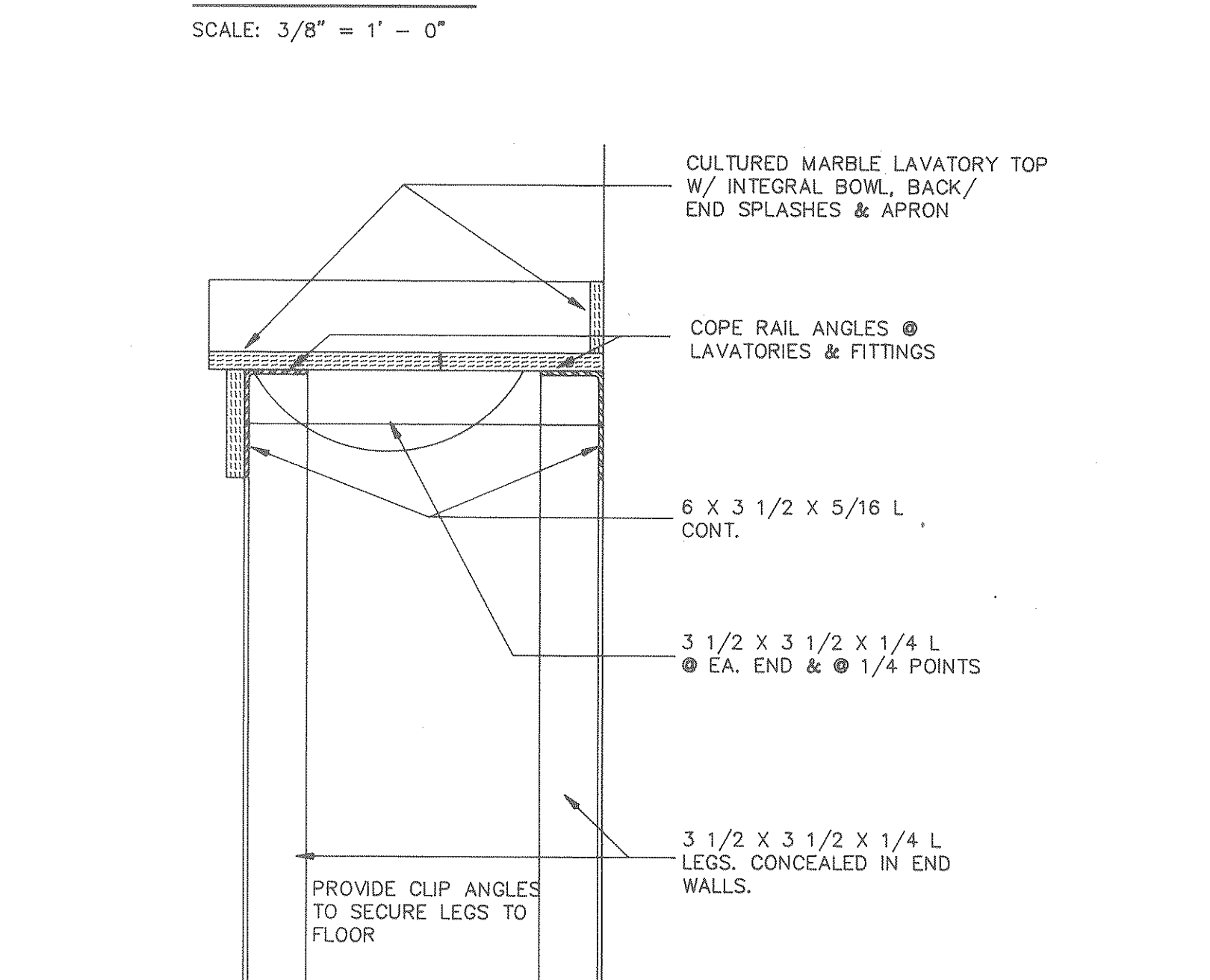
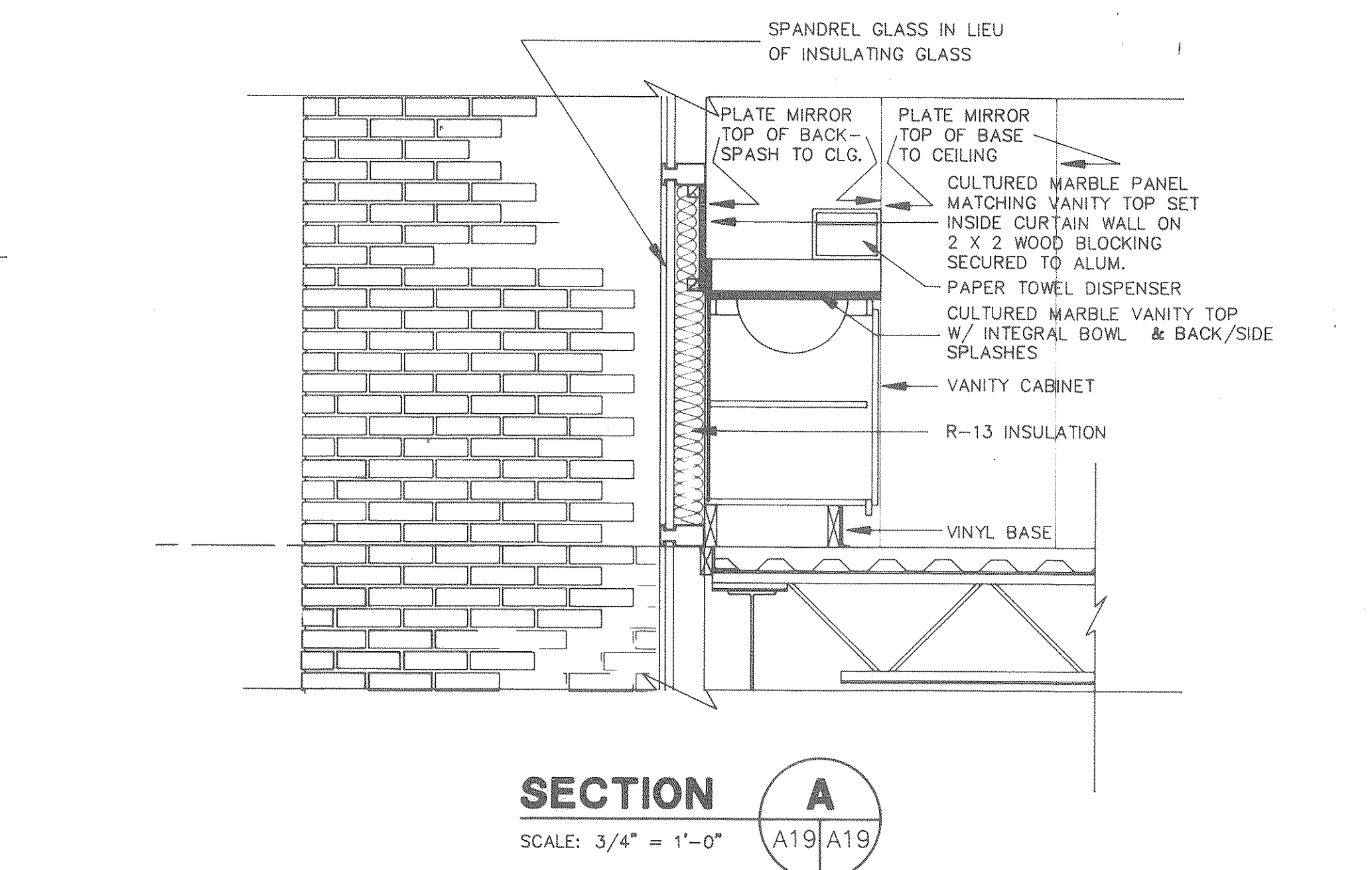
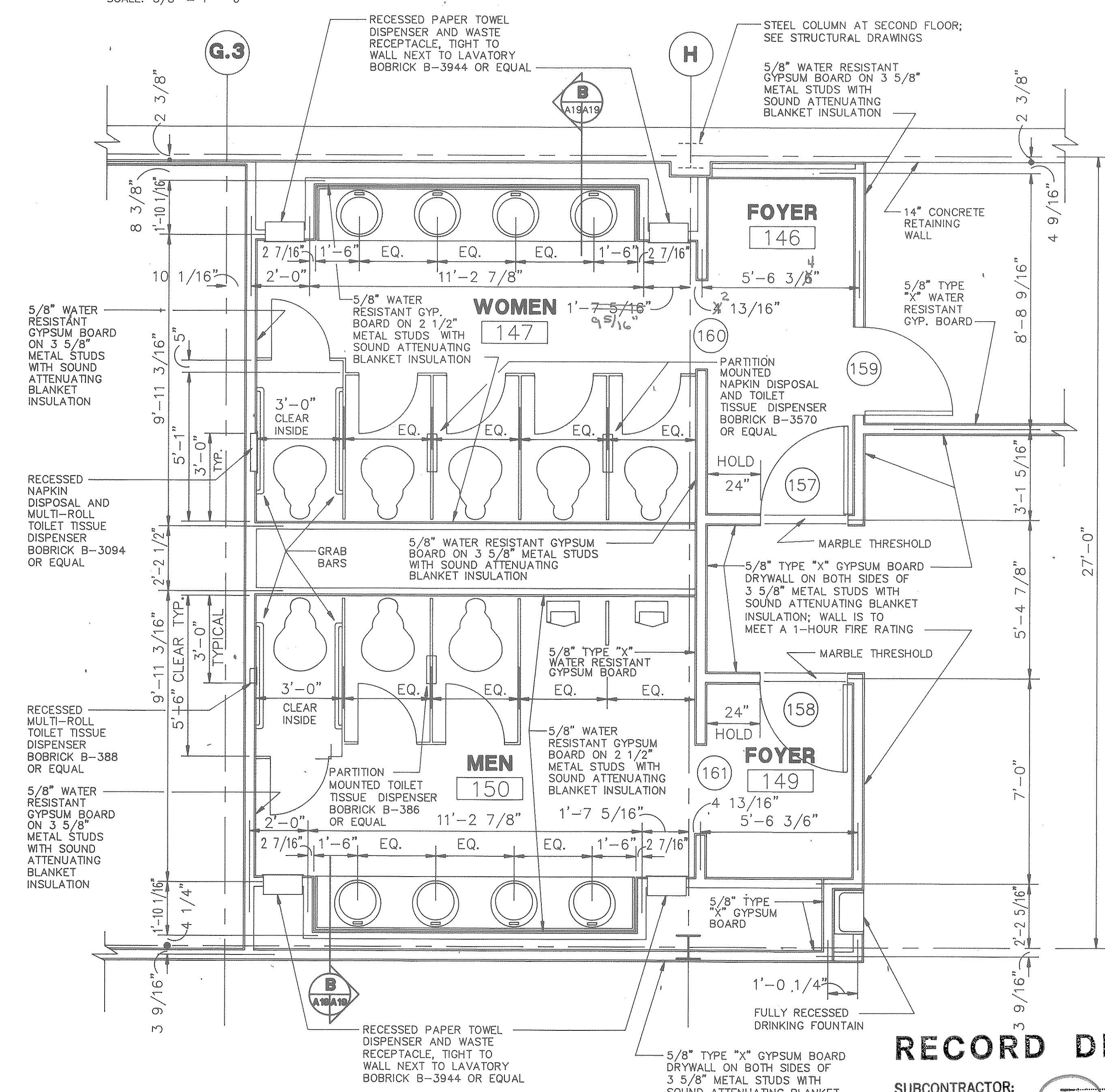
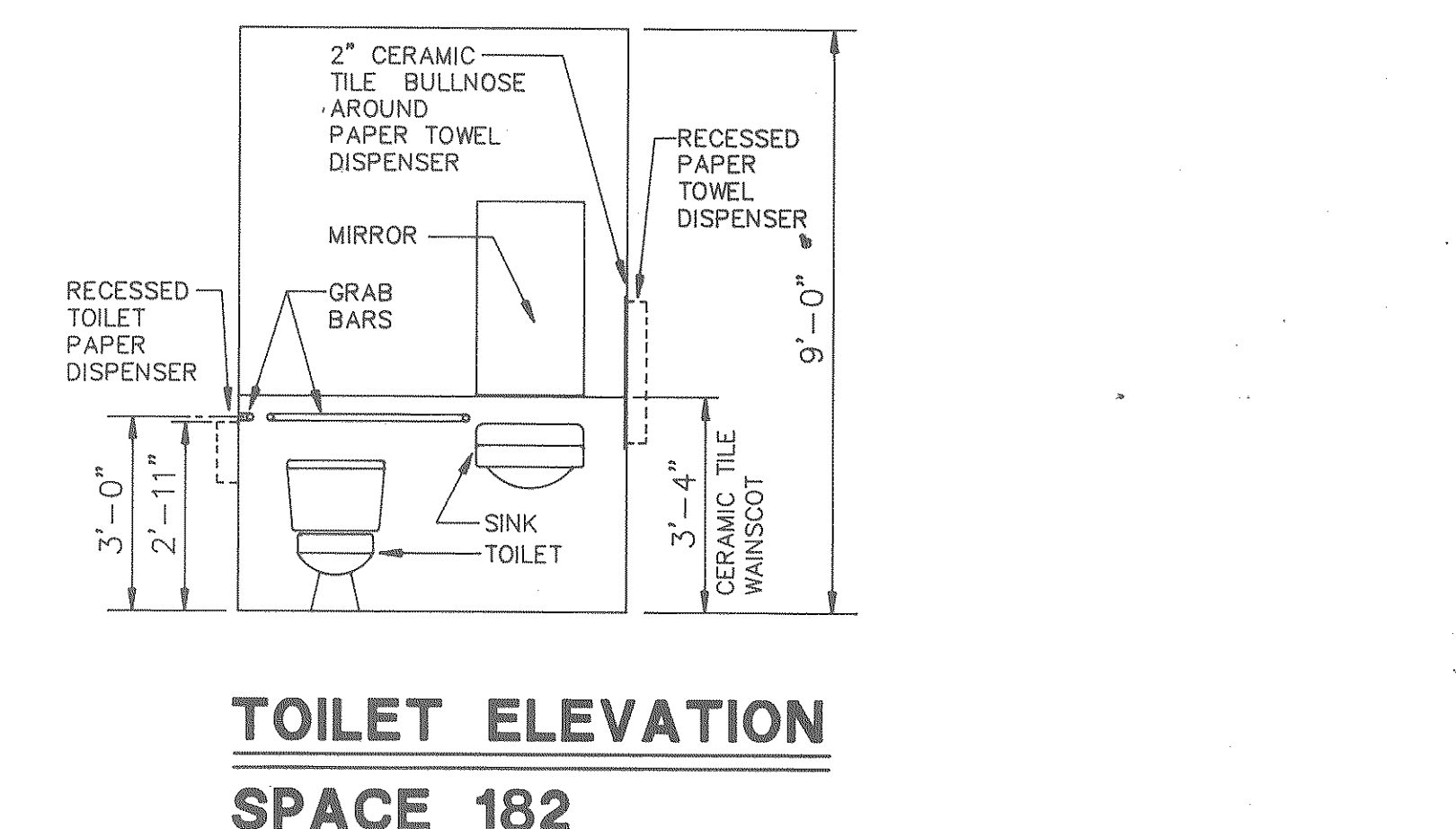
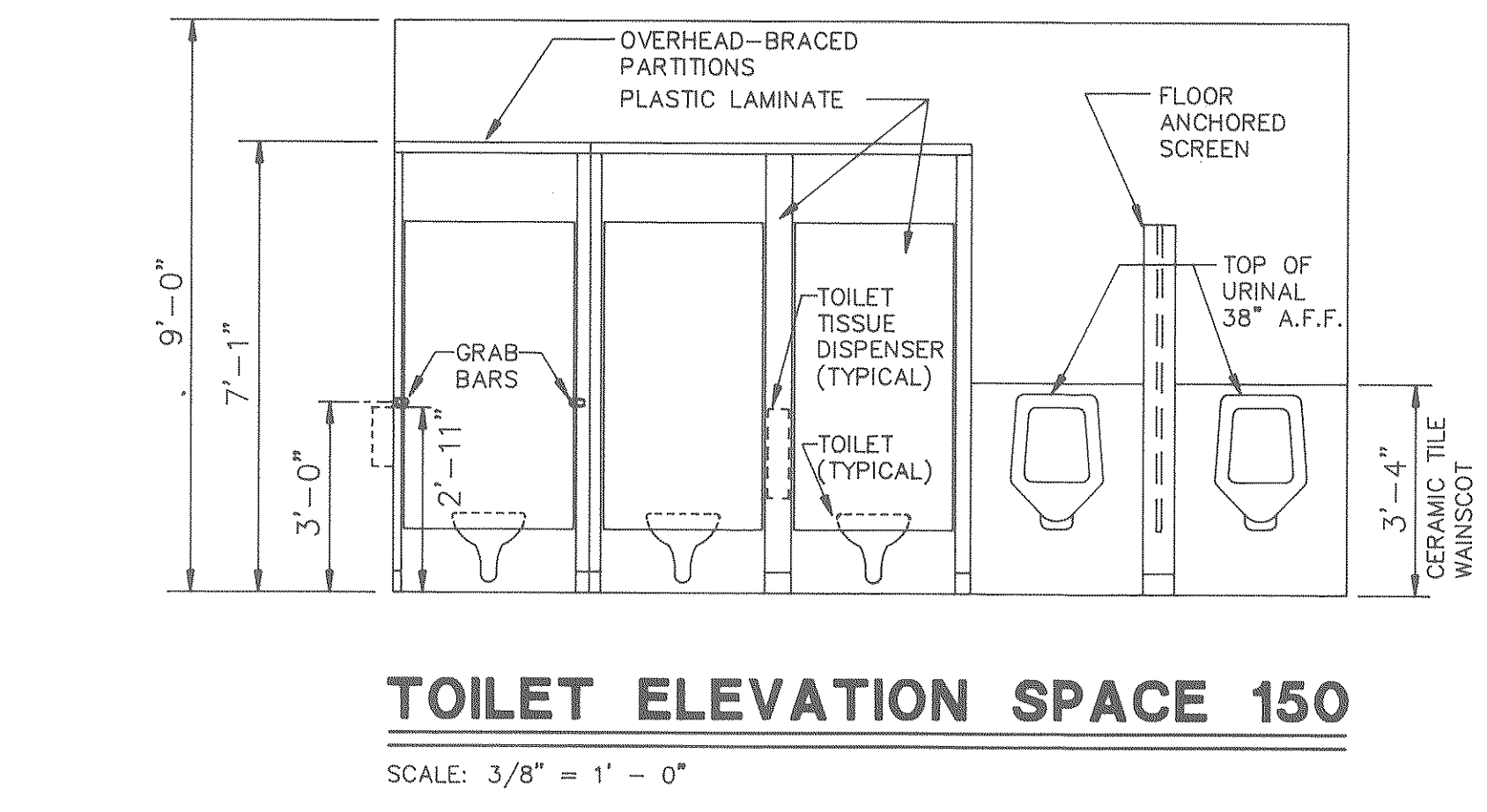
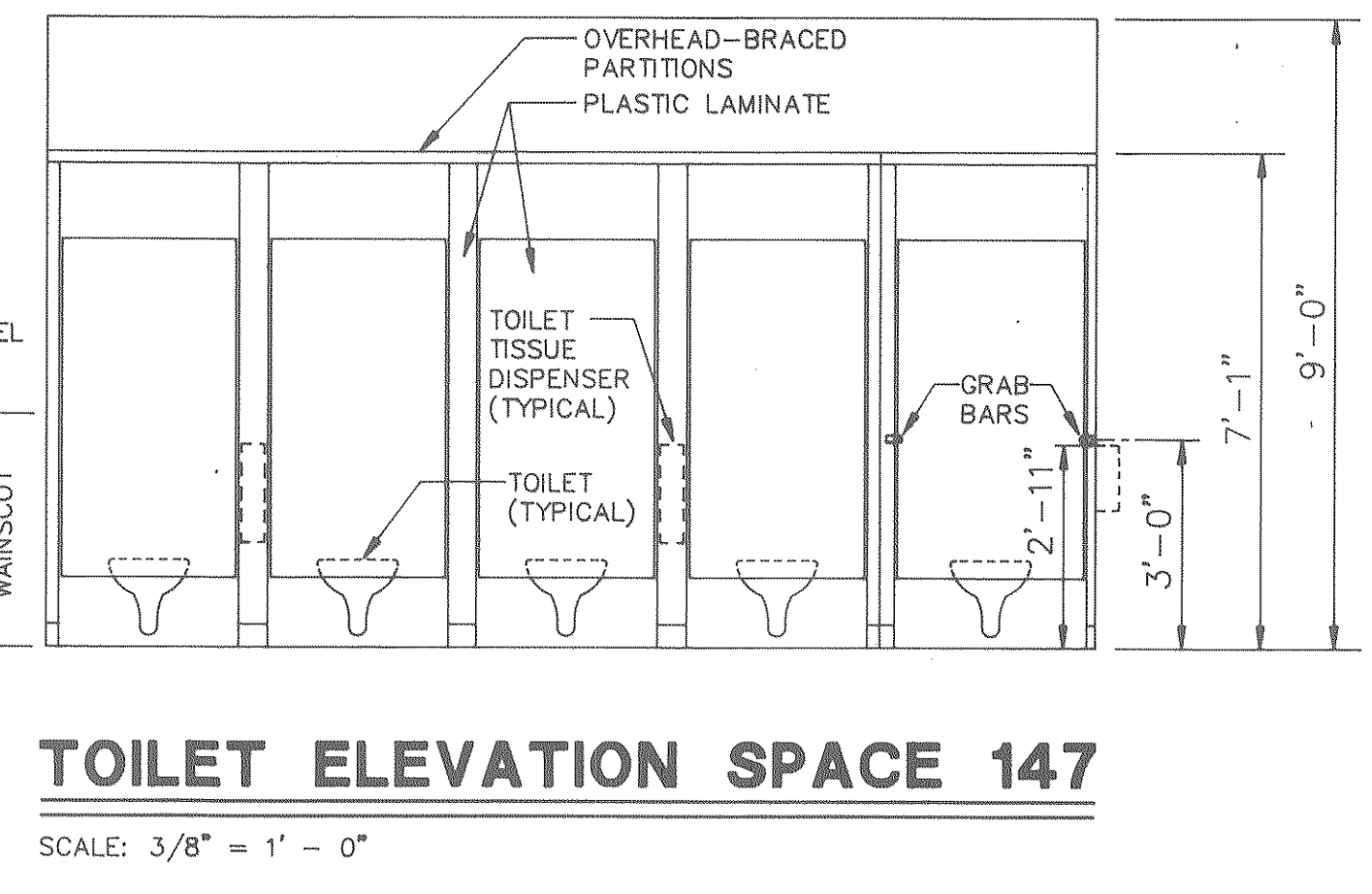
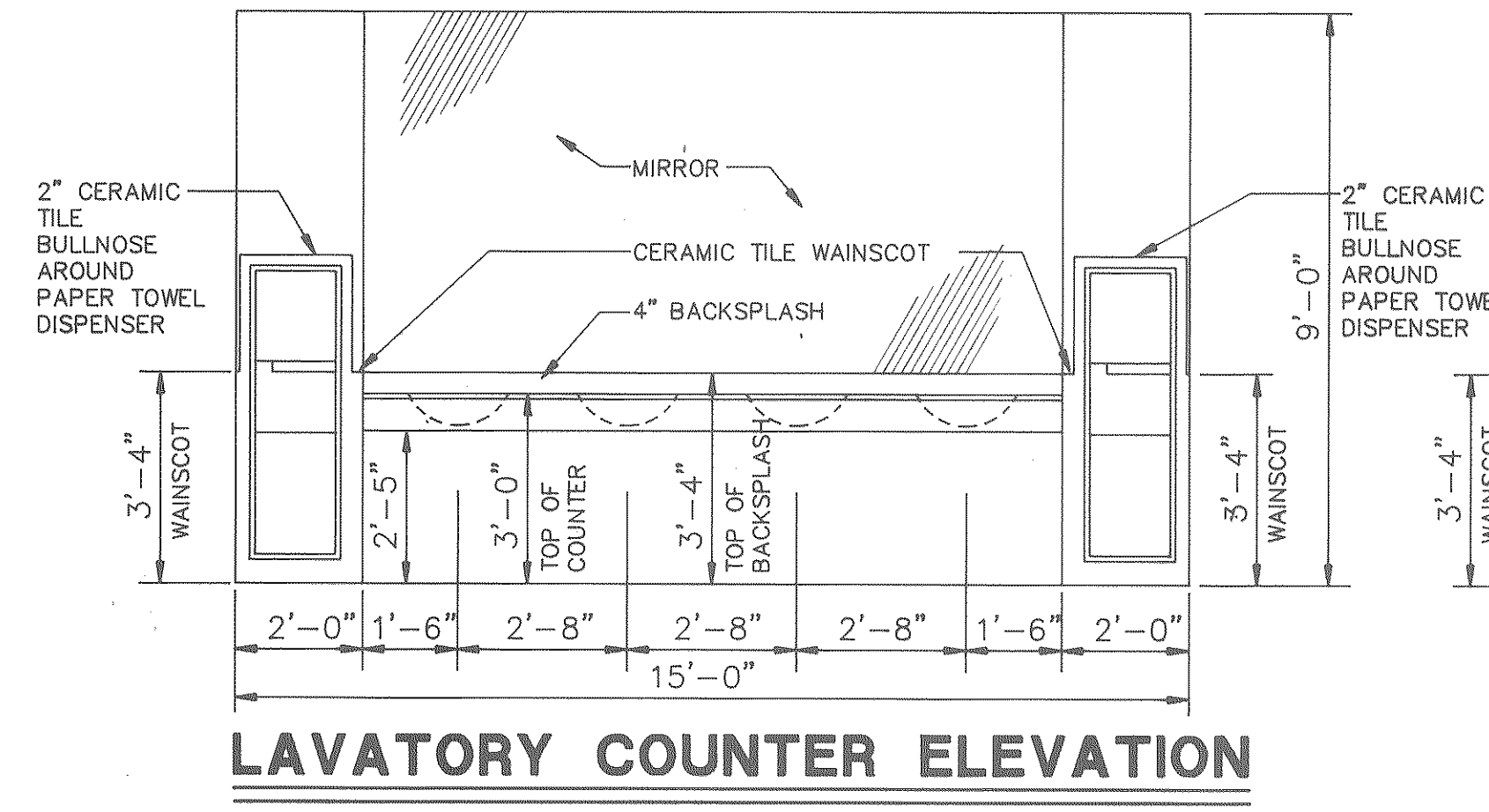
RECORD DRAWINGS

SUBCONTRACTOR: _____ Date _____
 GENERAL CONTRACTOR: _____ Date 6-26-90
 GENERAL CONTRACTOR SHALL VERIFY SUBCONTRACTORS SIGNATURE IF APPLICABLE.



SECTION A
SCALE: 1/2" = 1'-0"

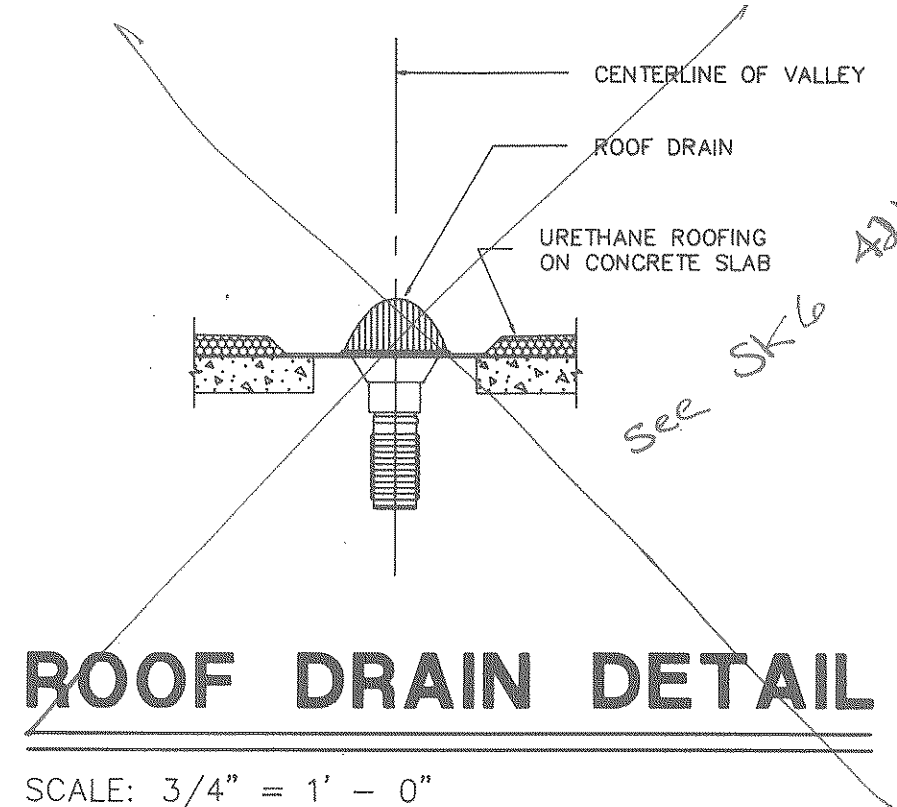
<p>The State of South Carolina</p>	<p>DEPARTMENT OF MENTAL RETARDATION</p>	<p>PROFESSIONAL SEAL</p>	<p>A & E FIRM</p> <p>CARLISLE ASSOCIATES</p> <p>1015 GERVAIS STREET P.O. BOX 11528 COLUMBIA, SC 29211 (803) 252-3232</p>	<p>SHEET TITLE</p> <p>WALL SECTION</p>	<p>PROJECT TITLE</p> <p>CENTRAL OFFICE BUILDING PHASE II</p>			
					<p>AGENCY OR INSTITUTION</p>	<p>REVISION NO.</p>	<p>DATE</p>	<p>BY</p>
<p>DIVISION</p>			<p>A & E PROJECT NO.</p>		<p>DRAWN BY</p>	<p>CHECKED BY</p>	<p>FINAL APP.</p>	<p>DATE 4/1/88</p>



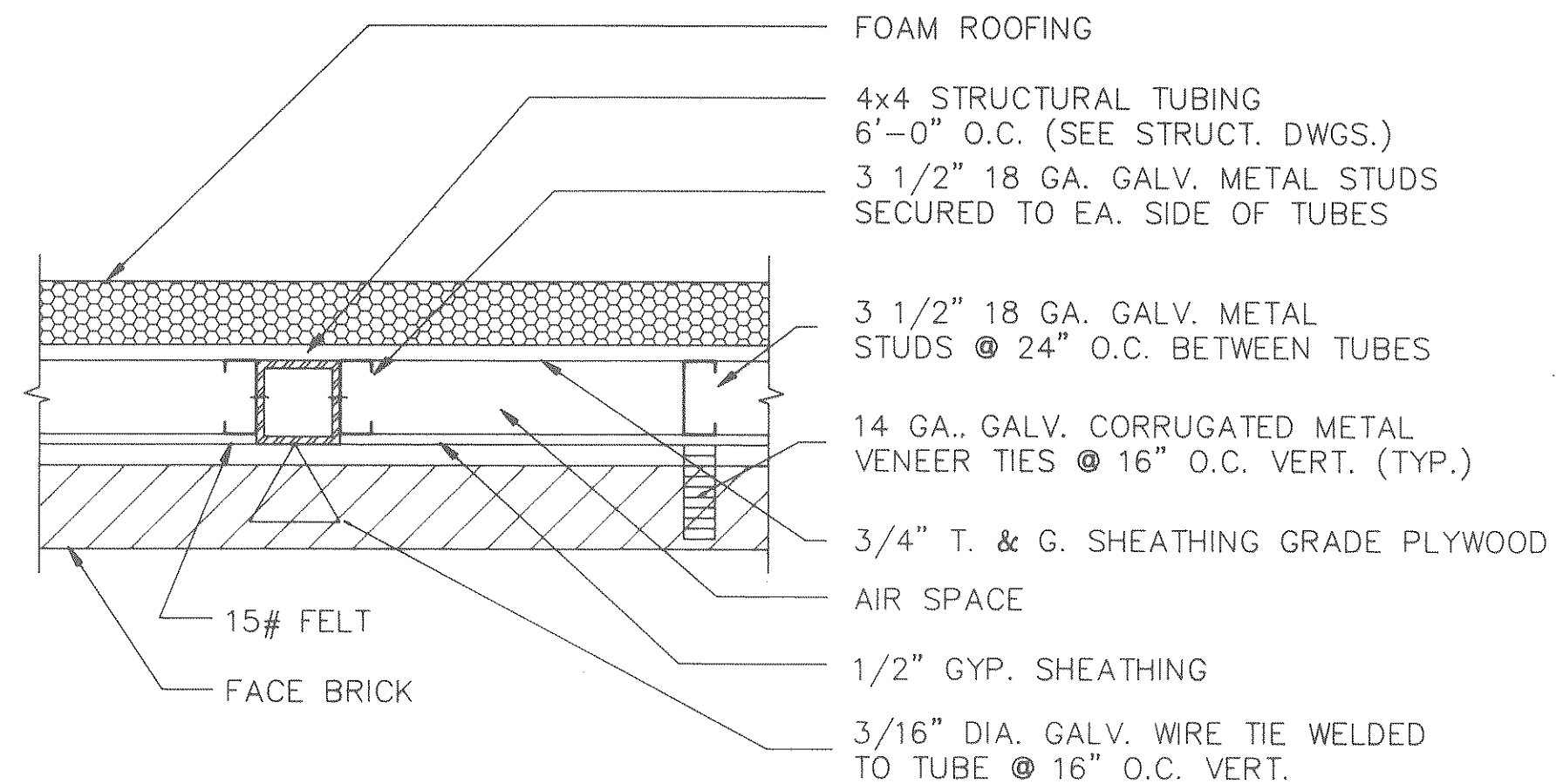
RECORD DRAWINGS

SUBCONTRACTOR: _____
 GENERAL CONTRACTOR: _____
 GENERAL CONTRACTOR SHALL VERIFY SUBCONTRACTORS SIGNATURE IF APPLICABLE.

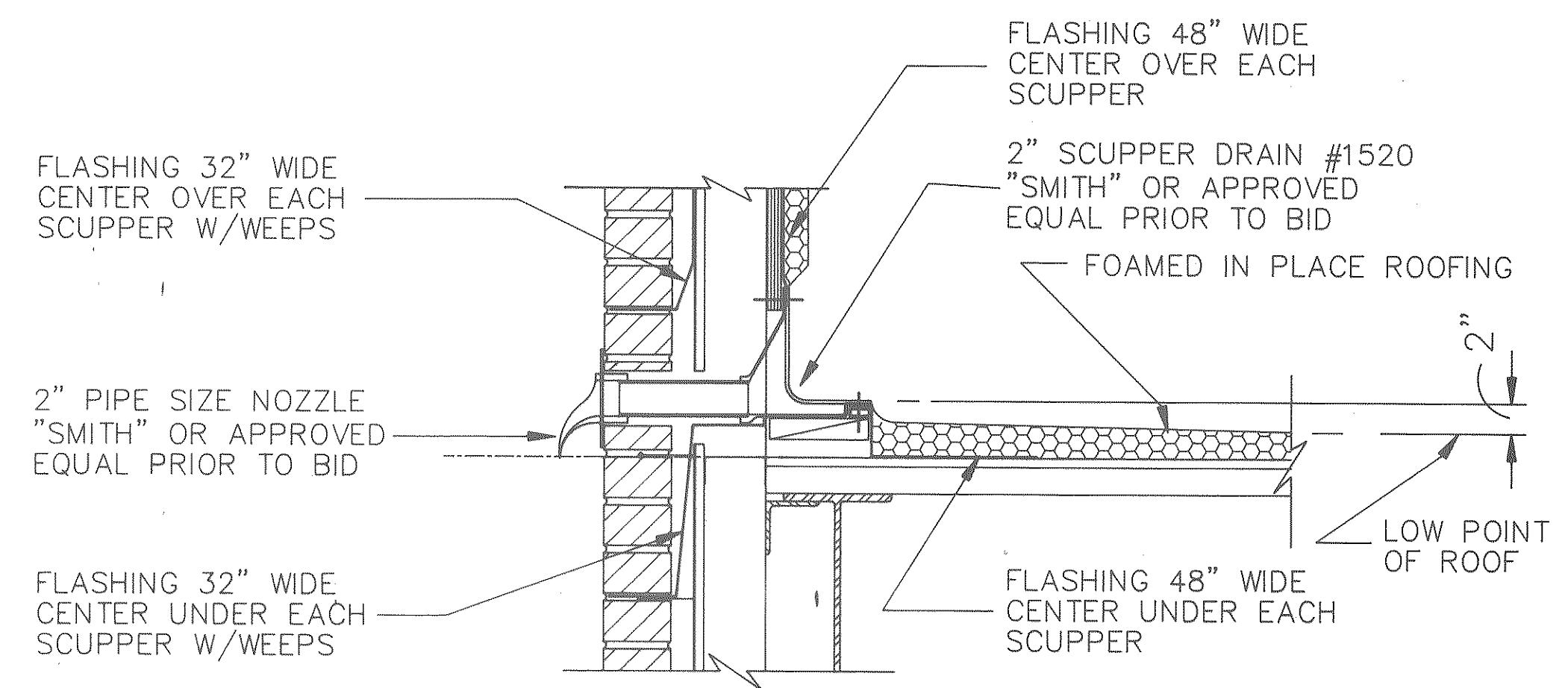
<p>The State of South Carolina</p>	<p>DEPARTMENT OF MENTAL RETARDATION</p>	<p>PROFESSIONAL SEAL</p>	<p>CARLISLE ASSOCIATES 1015 GERVAIS STREET P.O. BOX 11528 COLUMBIA, SC 29211 (803) 252-3232</p>	<p>SHEET TITLE</p> <p>ENLARGED TOILET PLANS</p>	<p>PROJECT TITLE</p> <p>CENTRAL OFFICE BUILDING PHASE II</p>
<p>DIVISION</p>		<p>A & E FIRM</p>		<p>DRAWN BY</p>	<p>CHECKED BY</p>
<p>DATE</p>		<p>A & E PROJECT NO.</p>		<p>FINAL APP.</p>	<p>DATE 4/1/88</p>



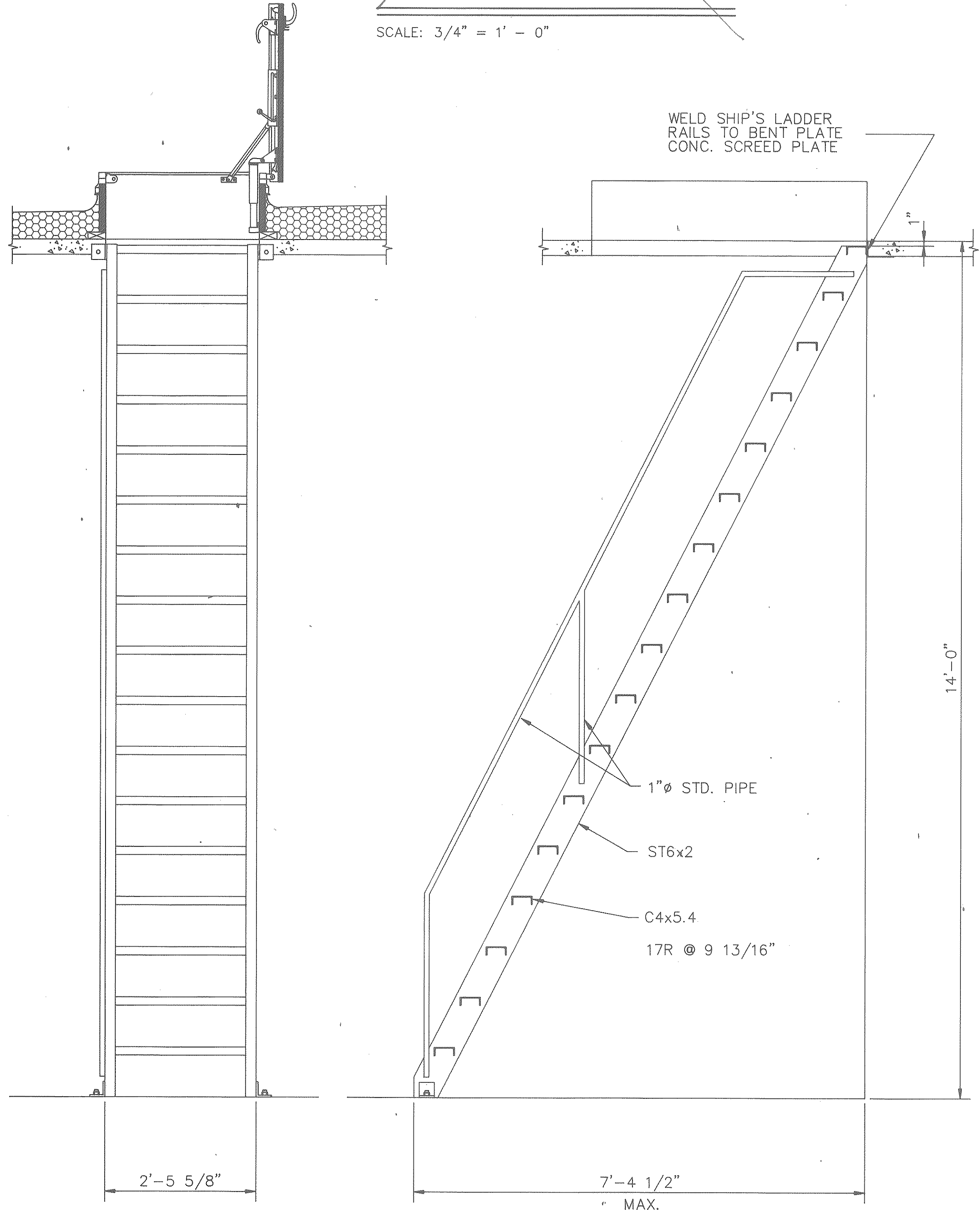
ROOF DRAIN DETAIL
SCALE: 3/4" = 1' - 0"



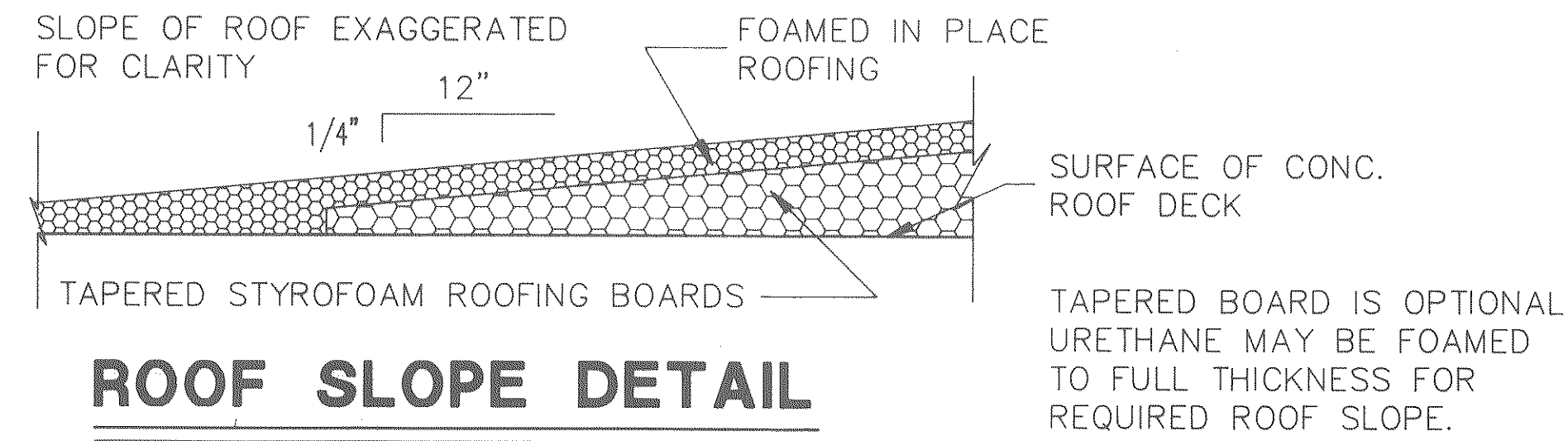
SECTION A
SCALE: 1 1/2" = 1' - 0"



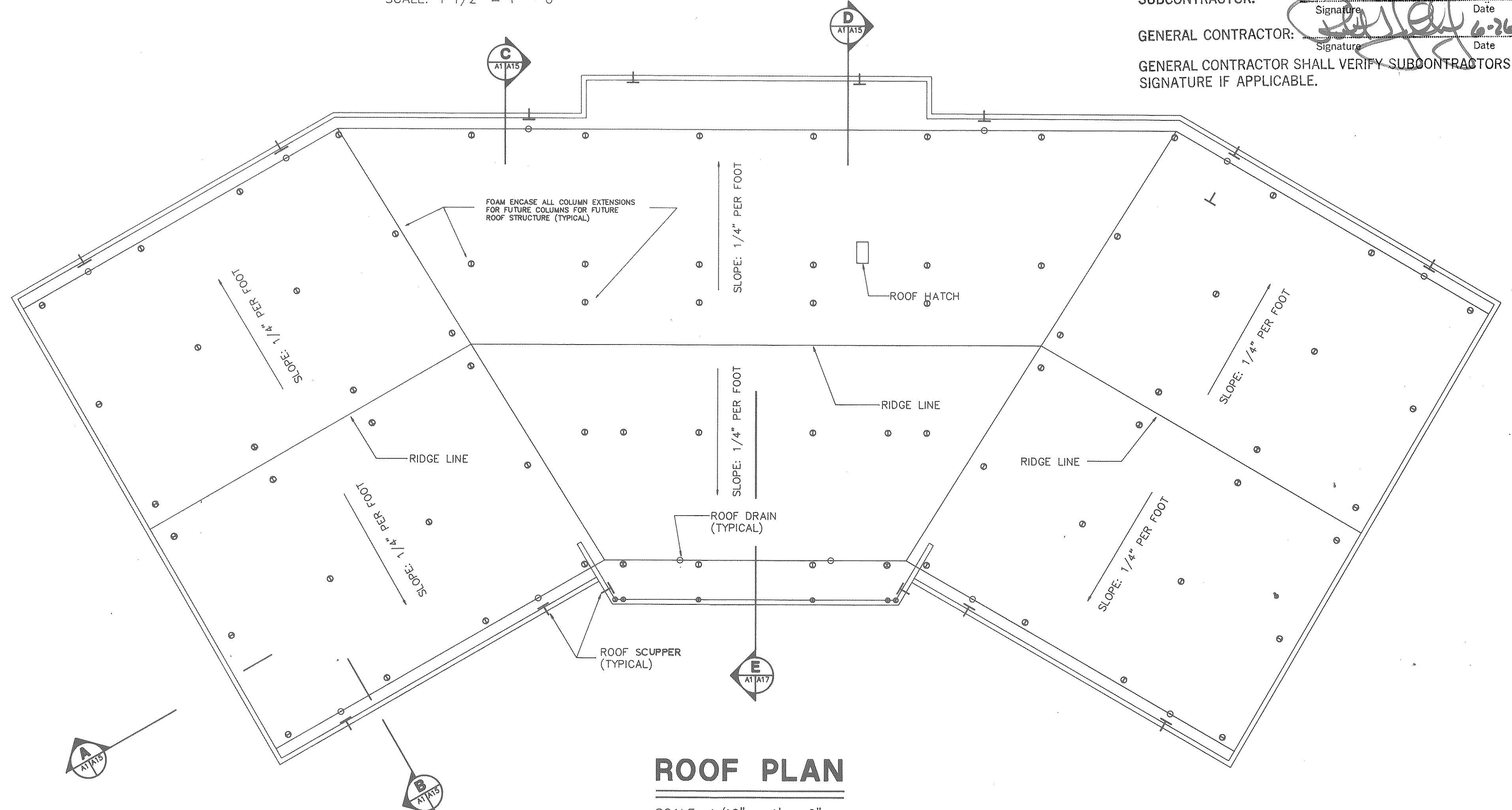
ROOF SCUPPER DETAIL
SCALE: 1 1/2" = 1' - 0"



ROOF ACCESS DETAILS
SCALE: 3/4" = 1' - 0"



ROOF SLOPE DETAIL
SCALE: 1 1/2" = 1' - 0"

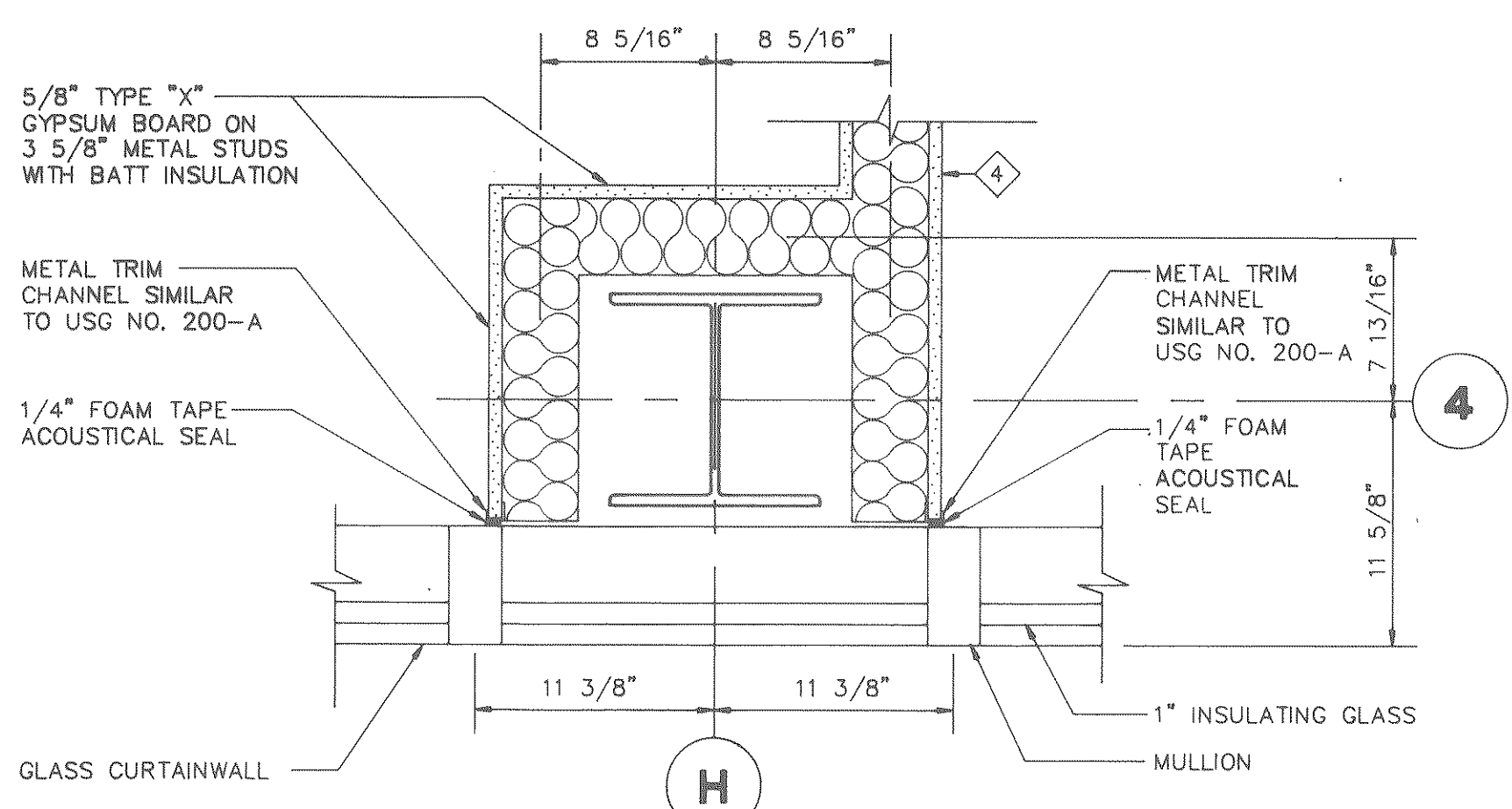


ROOF PLAN
SCALE: 1/16" = 1' - 0"

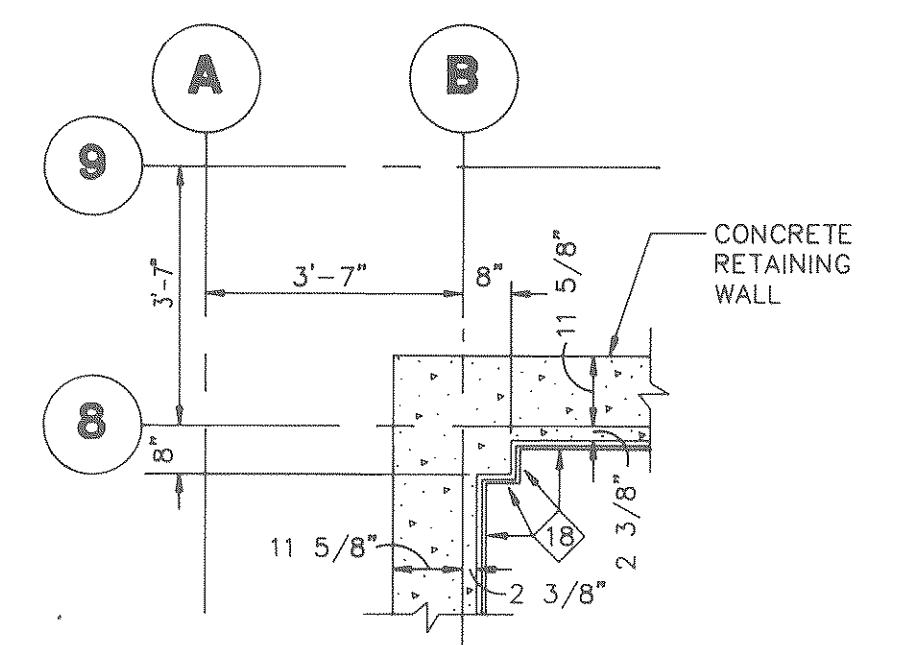
RECORD DRAWINGS
SUBCONTRACTOR: _____
GENERAL CONTRACTOR: _____
GENERAL CONTRACTOR SHALL VERIFY SUBCONTRACTORS SIGNATURE IF APPLICABLE.

<p>The State of South Carolina</p>	<p>DEPARTMENT OF MENTAL RETARDATION</p>		A & E FIRM <p>CARLISLE ASSOCIATES 1015 GERVAIS STREET P.O. BOX 11528 COLUMBIA, SC 29211 (803) 252-3232</p>	SHEET TITLE <p>ROOF PLAN AND DETAILS</p>		PROJECT TITLE <p>CENTRAL OFFICE BUILDING PHASE II</p>	
			REVISION NO. DATE BY APP. A & E PROJECT NO.	DRAWN BY CHECKED BY FINAL APP.	STATE PROJECT NO. <p>J16-8933</p>	DRAWING NO. <p>S75-A20</p>	SHEET <p>A20 OF 25</p>

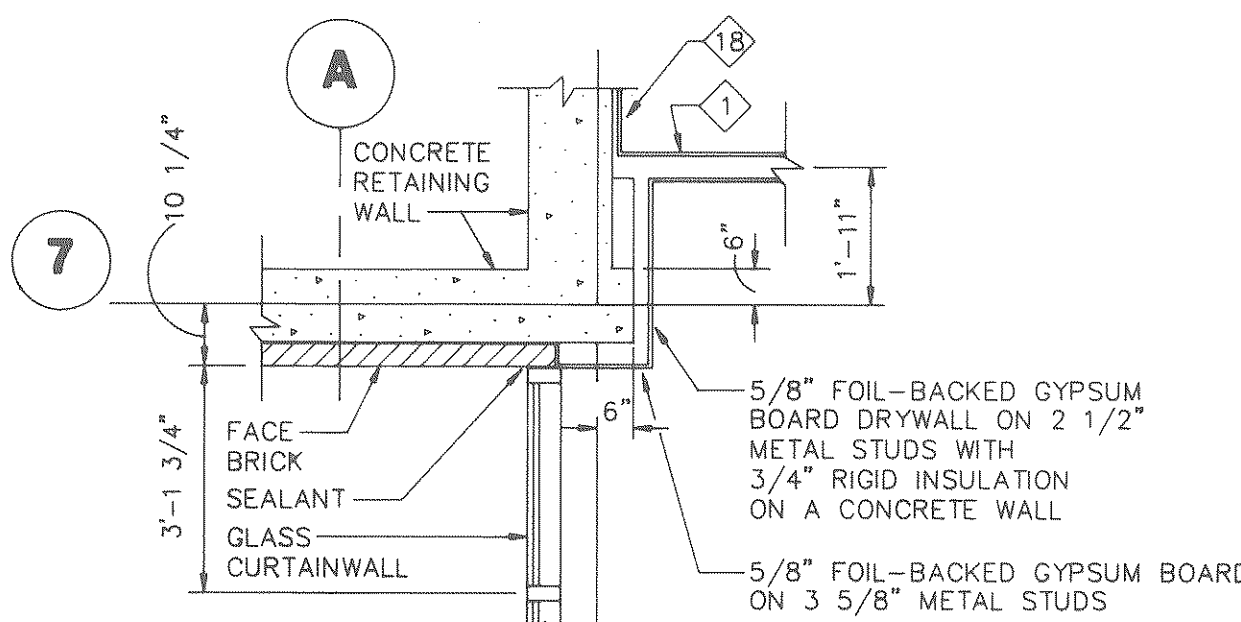
- NOTES**
- 1 5/8" GYPSUM BOARD DRYWALL ON BOTH SIDES OF 3 5/8" METAL STUDS 24" O.C.
 - 2 5/8" FOIL-BACKED GYPSUM BOARD DRYWALL ON ONE SIDE OF 3 5/8" METAL STUDS WITH BATT INSULATION HAVING A R-VALUE OF R-13
 - 3 5/8" GYPSUM BOARD DRYWALL ON 3 5/8" METAL STUDS 24" O.C. WITH SOUND ATTENUATING BLANKET INSULATION
 - 4 5/8" TYPE "X" GYPSUM BOARD DRYWALL ON BOTH SIDES OF 3 5/8" METAL STUDS 24" O.C. WITH SOUND ATTENUATING BLANKET INSULATION; TIGHT TO THE UNDERSIDE OF DECKING; WALL IS TO MEET A 1-HOUR FIRE RATING; FIRE TEST: FM WP-45
 - 5 5/8" WATER RESISTANT (TYPE "X" WHERE REQ'D.) GYPSUM BOARD DRYWALL THIS SIDE OF 3 5/8" METAL STUDS 24" O.C. WITH SOUND ATTENUATING BLANKET INSULATION
 - 6 5/8" TYPE "X" WATER RESISTANT GYPSUM BOARD DRYWALL ON 3 5/8" METAL STUDS 24" O.C. WITH SOUND ATTENUATING BLANKET INSULATION; WALL IS TO MEET A 1-HOUR FIRE RATING; TIGHT TO THE UNDERSIDE OF DECKING
 - 7 5/8" WATER RESISTANT GYPSUM BOARD DRYWALL ON ONE SIDE OF 2 1/2" METAL STUDS 24" O.C. WITH SOUND ATTENUATING BLANKET INSULATION
 - 8 5/8" GYPSUM BOARD DRYWALL ON ONE SIDE OF 1 5/8" METAL STUDS
 - 9 5/8" FOIL-BACKED GYPSUM BOARD DRYWALL ON 7/8" HAT CHANNELS WITH 3/4" RIGID INSULATION ON 8" NOM. C.M.U. BACKING FOR 4" LIMESTONE PANEL
 - 10 5/8" GYPSUM BOARD DRYWALL ON 7/8" HAT CHANNELS ON AN 8" NOM. CLAY BRICK MASONRY WALL TIGHT TO UNDERSIDE OF DECKING, TO MEET A 1-HOUR FIRE RATING
 - 11 5/8" FOIL-BACKED GYPSUM BOARD DRYWALL ON 7/8" HAT CHANNELS WITH 3/4" RIGID INSULATION ON AN 8" NOM. CLAY BRICK MASONRY WALL
 - 12 8" NOM. CLAY BRICK MASONRY WALL
 - 13 5/8" GYPSUM BOARD DRYWALL ON 7/8" HAT CHANNELS ON ONE SIDE OF 12" NOM. C.M.U. WALL; BLOCK FILLED WITH VERMICULITE, TIGHT TO THE UNDERSIDE OF DECKING AT ROOF, TO MEET A 1-HOUR FIRE RATING
 - 14 5/8" GYPSUM BOARD DRYWALL ON 7/8" HAT CHANNELS ON ONE SIDE OF 8" NOM. C.M.U. WALL; BLOCK FILLED WITH VERMICULITE, TIGHT TO THE UNDERSIDE OF DECKING, TO MEET A 1-HOUR FIRE RATING
 - 15 8" NOM. C.M.U. WALL; BLOCK FILLED WITH VERMICULITE; TIGHT TO THE UNDERSIDE OF DECKING AT ROOF, TO MEET A 1-HOUR FIRE RATING
 - 16 CONCRETE BLOCK VOIDS FILLED WITH SAND
 - 17 5/8" GYPSUM BOARD DRYWALL ON 7/8" HAT CHANNELS ON ONE SIDE OF C.M.U. WALL; BLOCK FILLED WITH SAND
 - 18 5/8" FOIL-BACKED GYPSUM BOARD DRYWALL ON 7/8" HAT CHANNELS WITH 3/4" RIGID INSULATION ON A CONCRETE WALL
 - 19 5/8" FOIL-BACKED GYPSUM BOARD DRYWALL ON 3 5/8" METAL STUDS WITH 3/4" RIGID INSULATION ON A CONCRETE WALL
 - 20 14" CONCRETE WALL
 - 21 5/8" WATER RESISTANT GYPSUM BOARD ON 6" METAL STUDS 24" O.C. WITH BATT INSULATION HAVING A R-VALUE OF R-19
 - 22 5/8" GYPSUM BOARD DRYWALL ON BOTH SIDES OF 3 5/8" METAL STUDS; FUR WALL DOWN TO TOP OF FILING CABINET HEIGHT
 - 23 5/8" TYPE "X" GYPSUM BOARD DRYWALL ON 1 5/8" METAL STUDS, TIGHT TO THE UNDERSIDE OF DECKING, TO MEET A 1-HOUR FIRE RATING
 - 24 5/8" WATER RESISTANT GYP. BOARD ON 1/2" RESILIENT CHANNELS ON AN 8" NOM. CLAY BRICK MASONRY WALL, TIGHT TO UNDERSIDE OF DECKING, TO MEET A 1-HOUR FIRE RATING. THIS NOTE APPLIES TO THIS WALL ONLY.
 - 25 5/8" FOIL-BACKED GYPSUM BOARD DRYWALL ON 2 1/2" METAL STUDS WITH 3/4" RIGID INSULATION ON A CONCRETE WALL



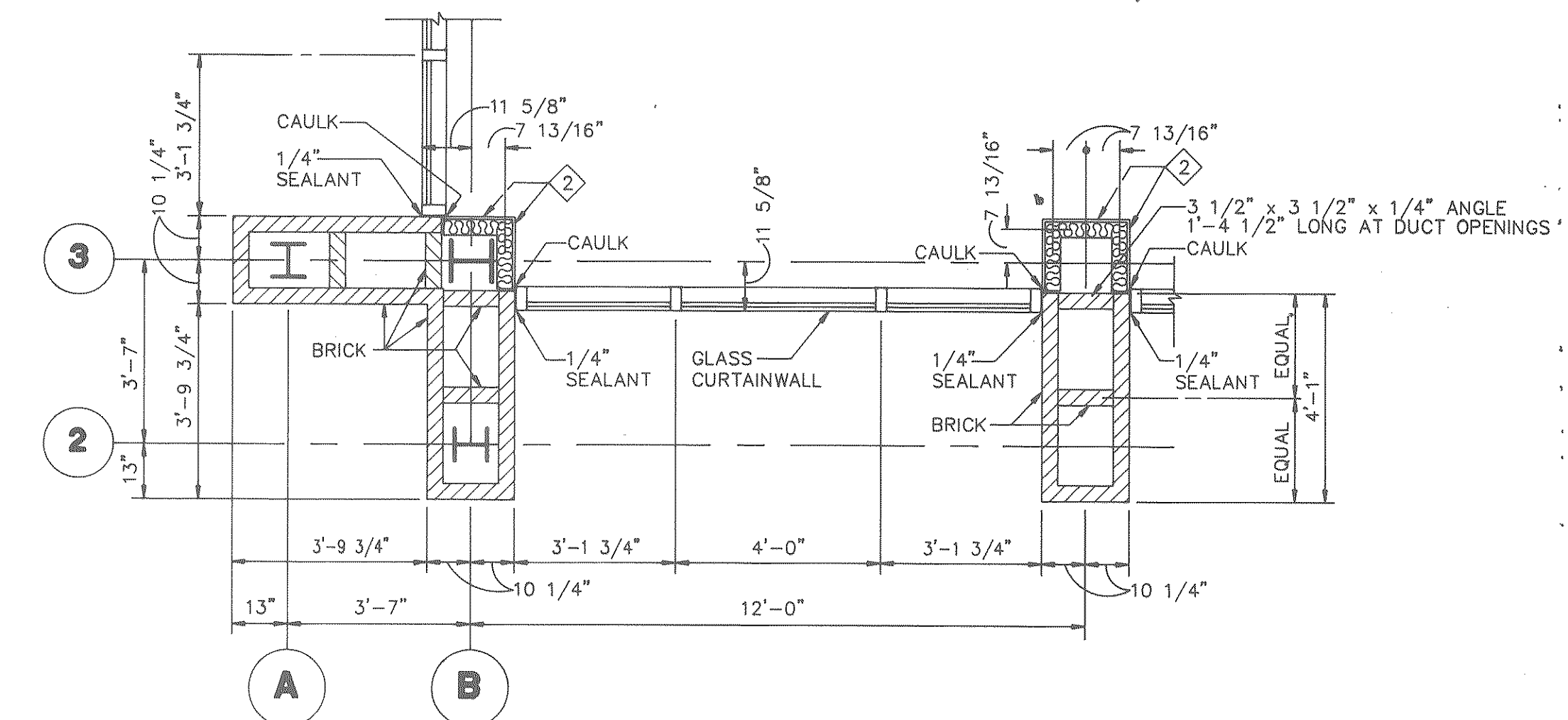
COLUMN DETAIL A
SCALE: 1 1/2" = 1' - 0"



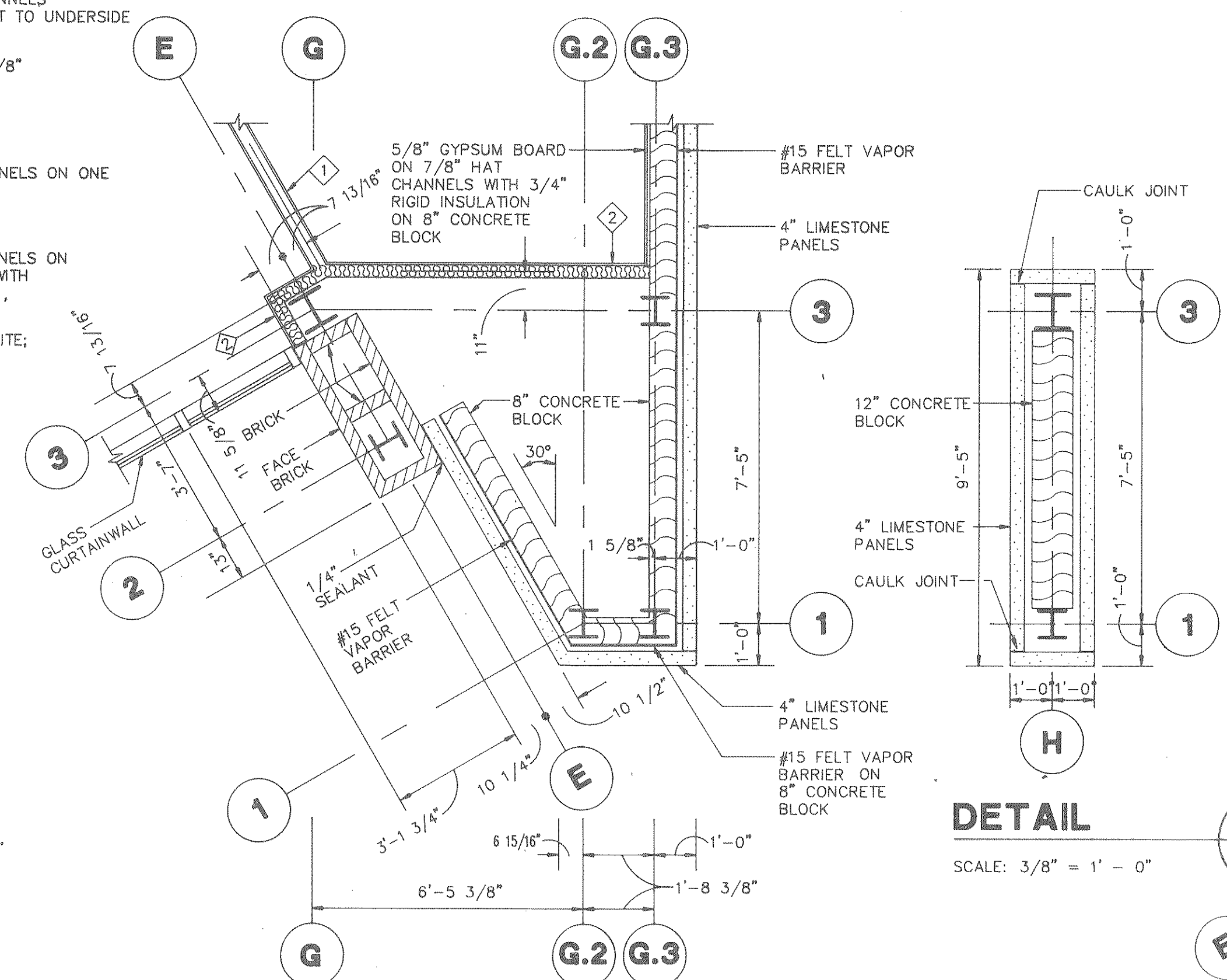
DETAIL B
SCALE: 3/8" = 1' - 0"



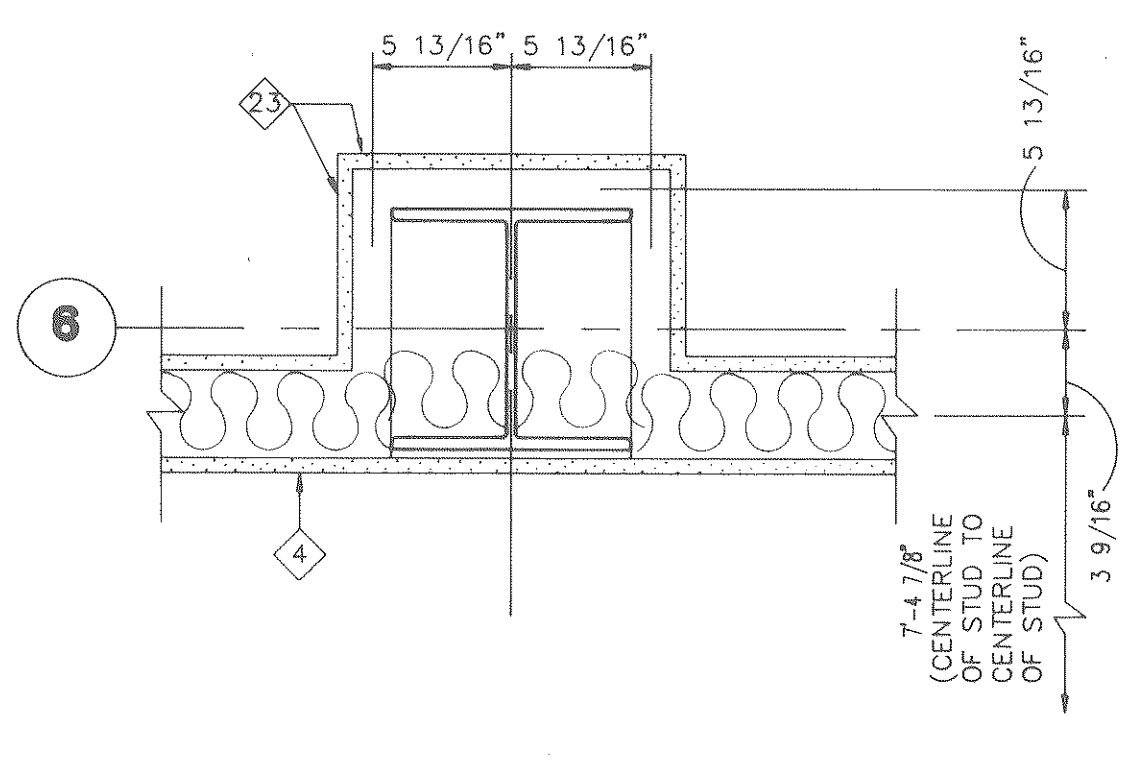
DETAIL C
SCALE: 3/8" = 1' - 0"



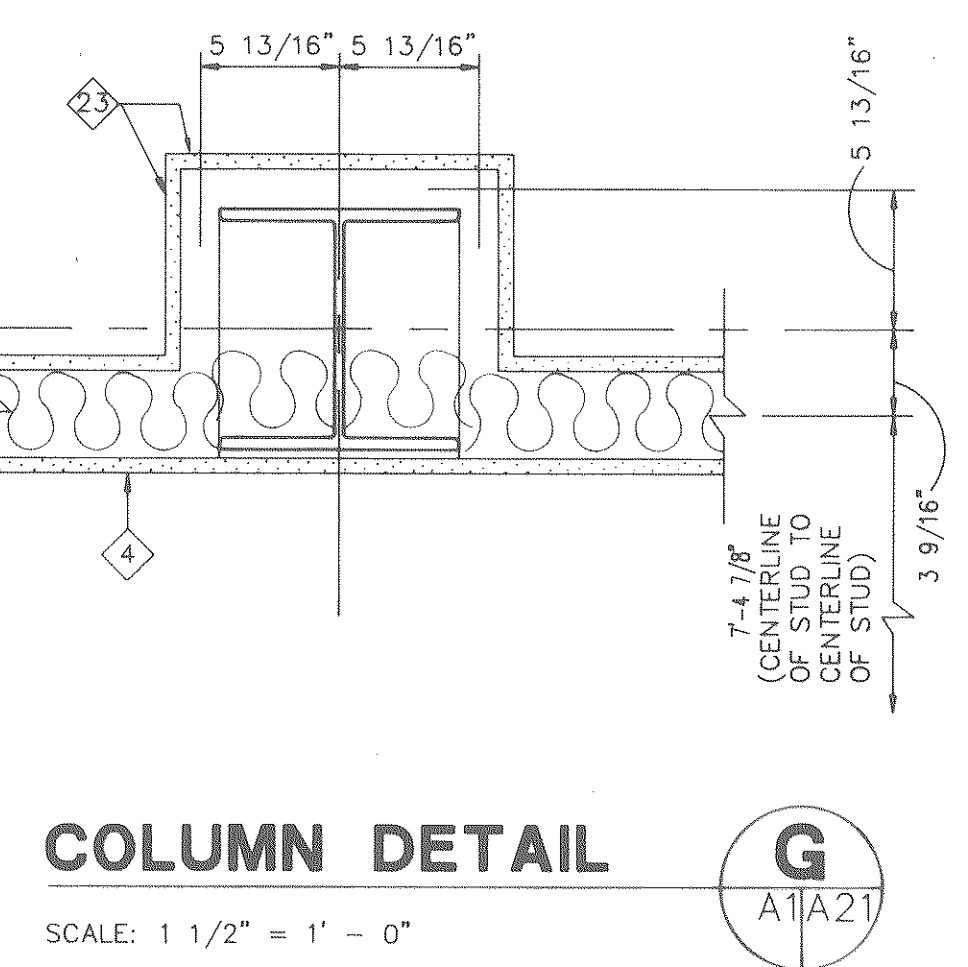
DETAIL D
SCALE: 3/8" = 1' - 0"



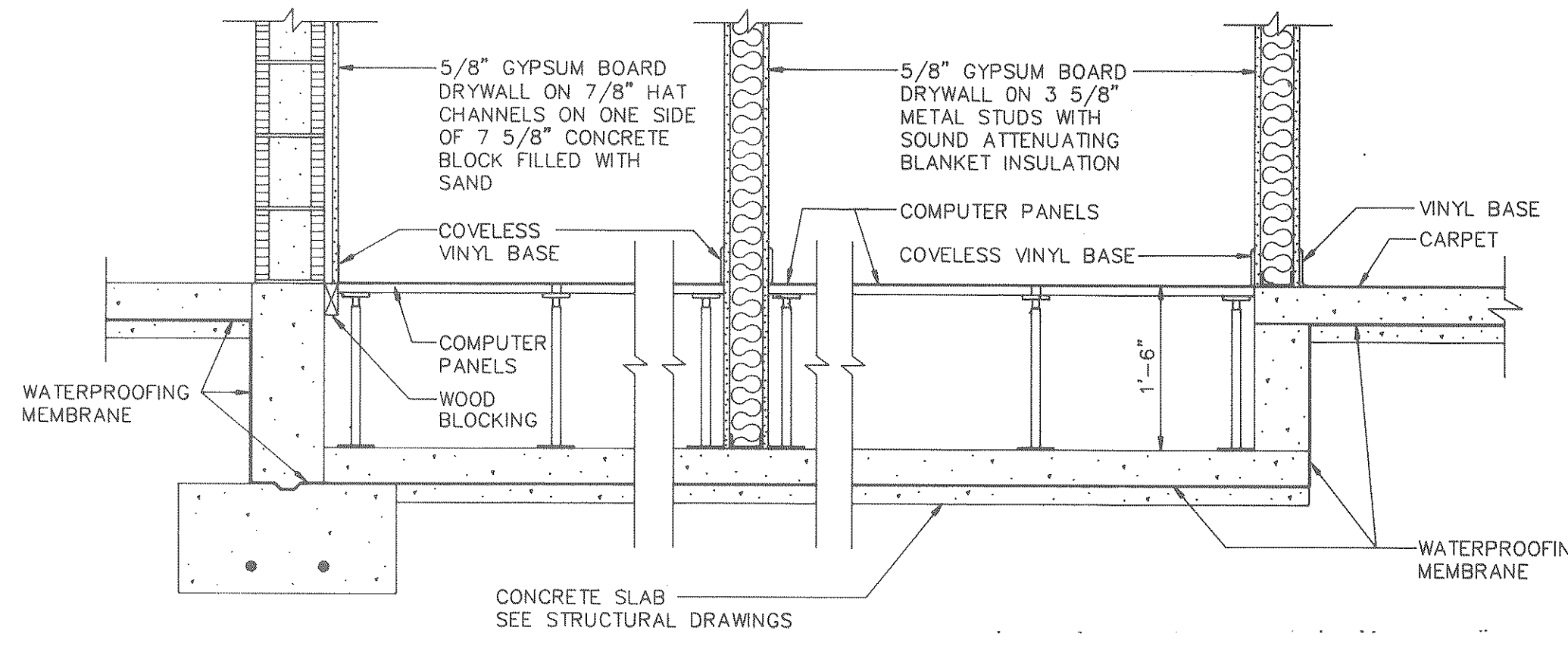
DETAIL E
SCALE: 3/8" = 1' - 0"



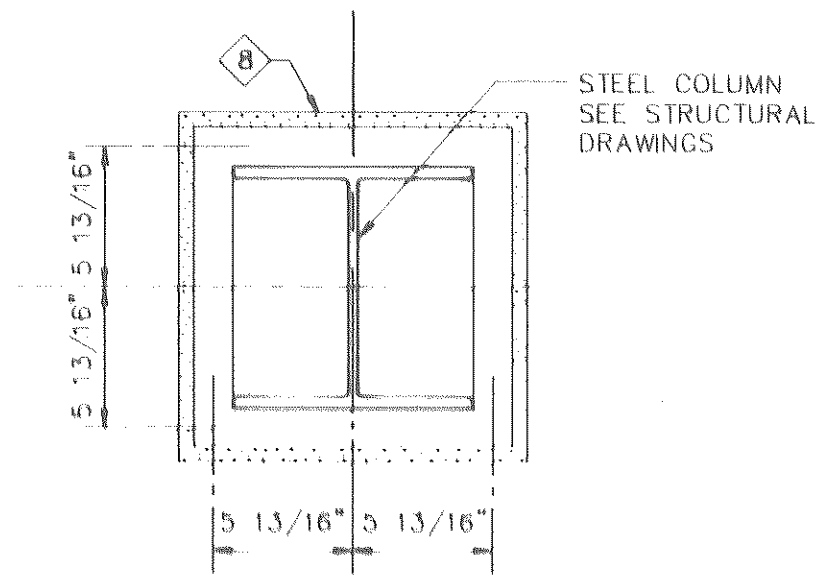
DETAIL F
SCALE: 3/8" = 1' - 0"



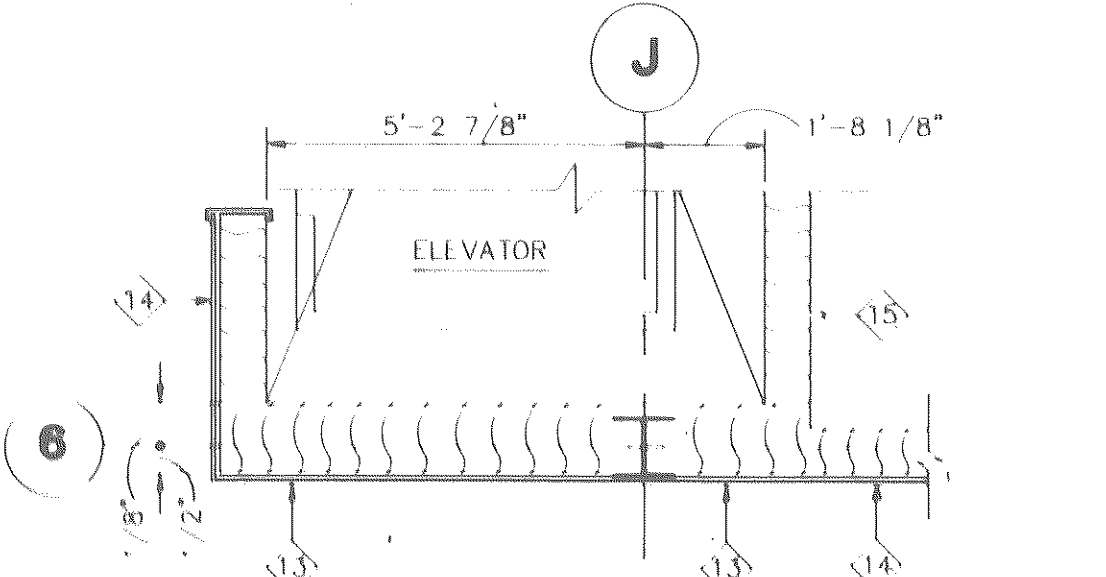
COLUMN DETAIL G
SCALE: 1 1/2" = 1' - 0"



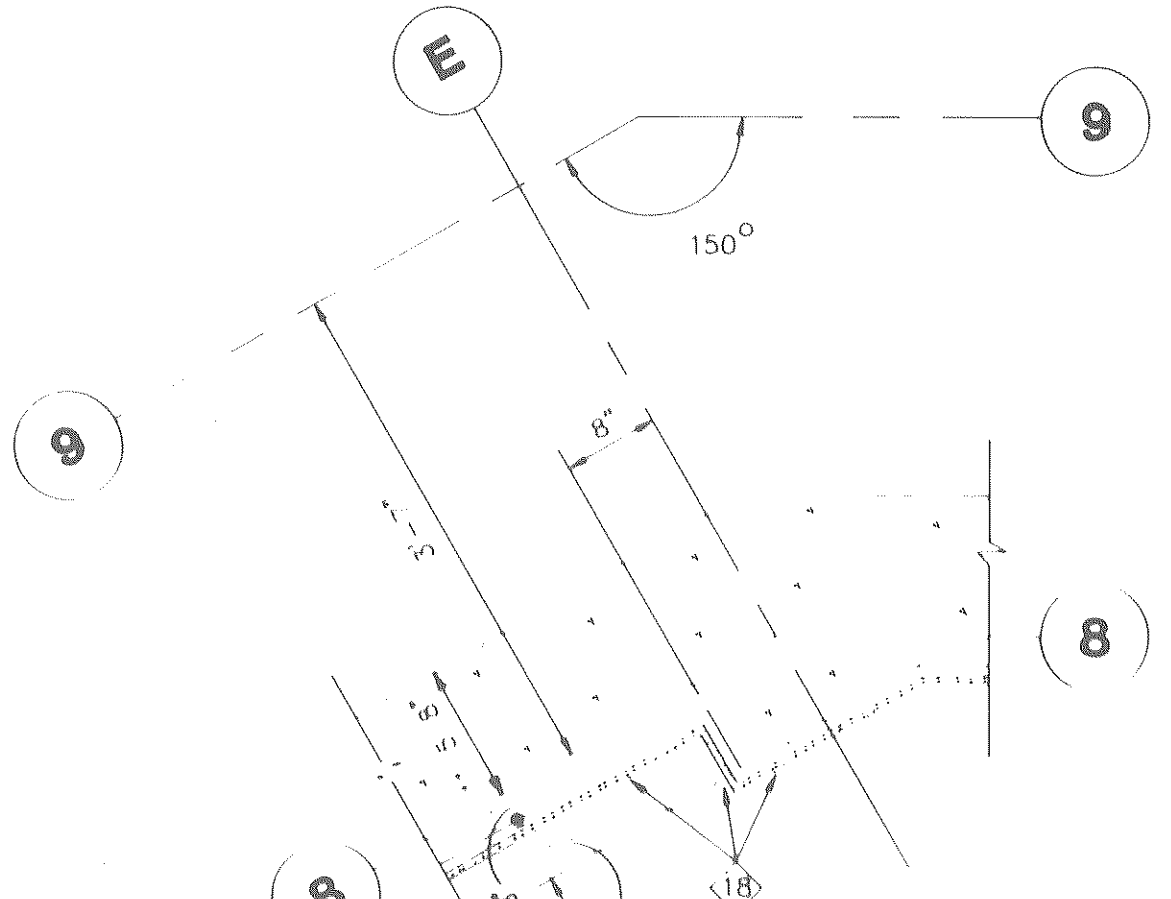
SECTION THRU COMPUTER FLOOR H
SCALE: 3/4" = 1' - 0"



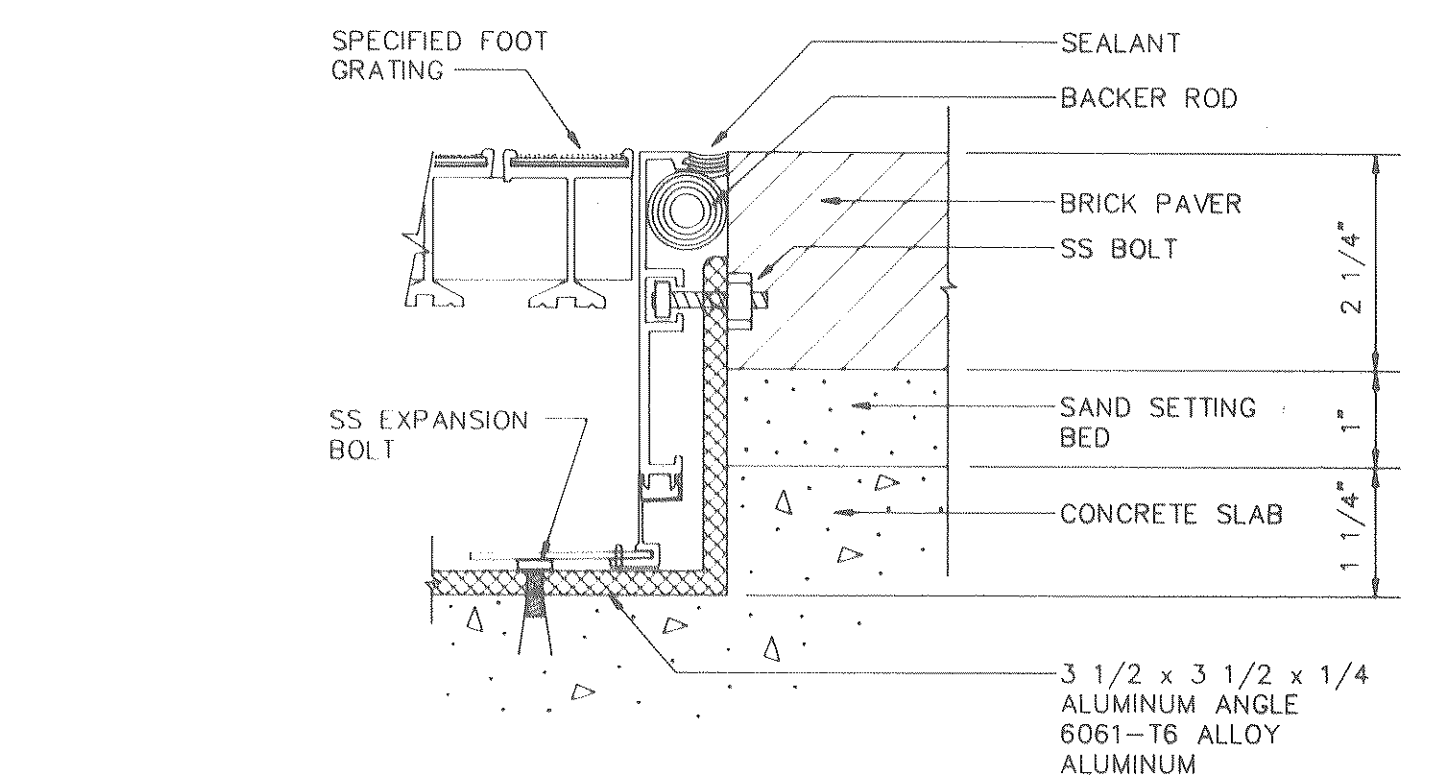
COLUMN DETAIL J
SCALE: 1 1/2" = 1' - 0"



DETAIL K
SCALE: 3/8" = 1' - 0"



DETAIL L
SCALE: 3/4" = 1' - 0"



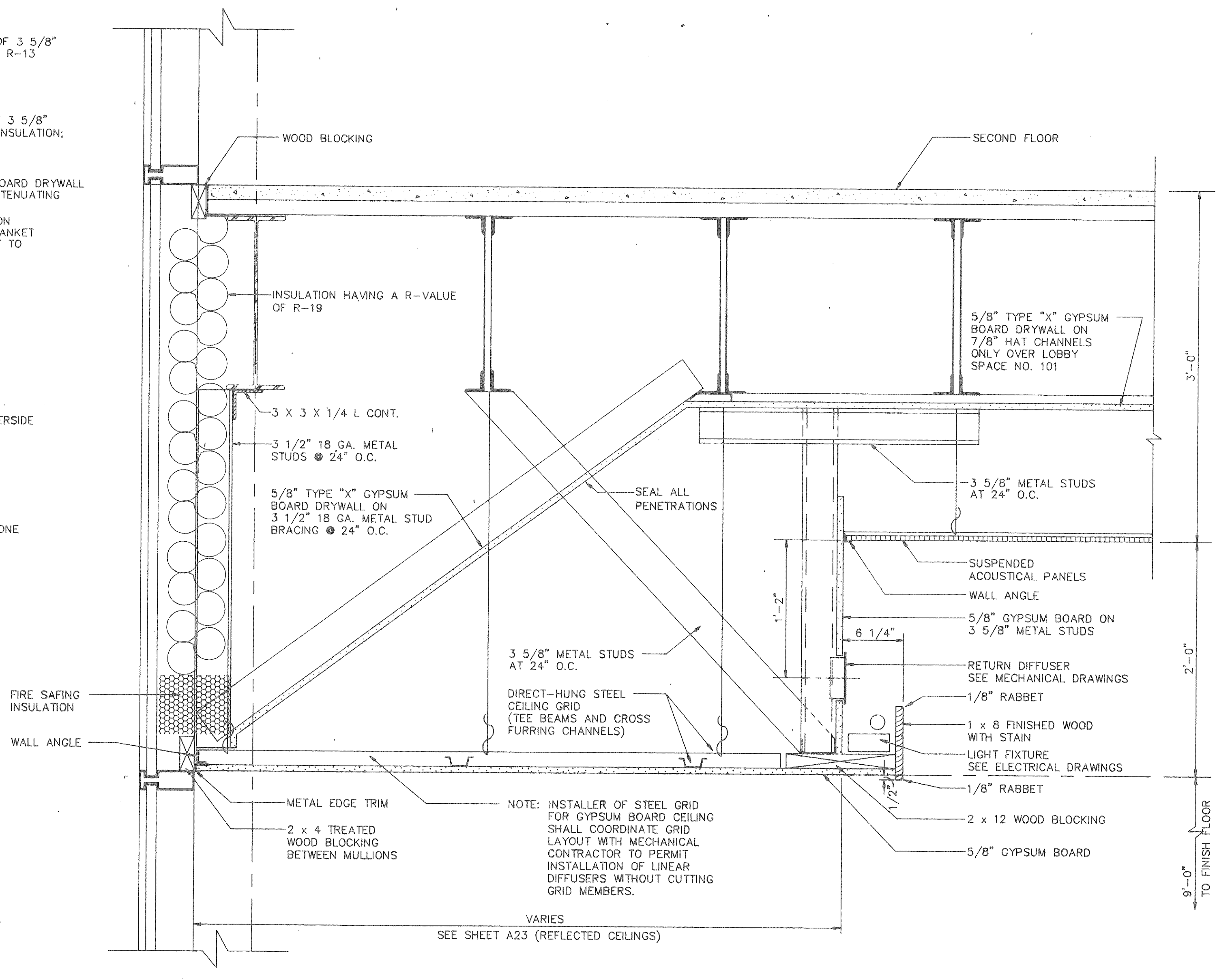
RECESSED FOOT GRILL DETAIL N
SCALE: HALF FULL SIZE

RECORD DRAWINGS

SUBCONTRACTOR: _____
 GENERAL CONTRACTOR: _____
 GENERAL CONTRACTOR SHALL VERIFY SUBCONTRACTORS SIGNATURE IF APPLICABLE.

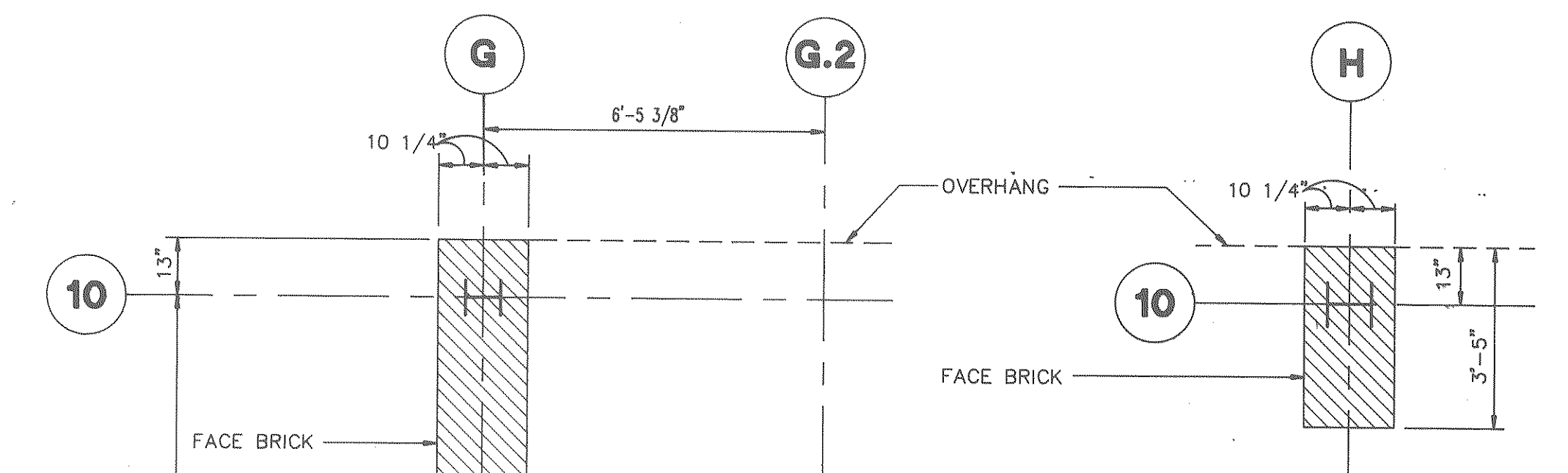
<p>The State of South Carolina</p>	<p>AGENCY OR INSTITUTION</p> <p>DEPARTMENT OF MENTAL RETARDATION</p>	<p>PROFESSIONAL SEAL</p>	<p>A & E FIRM</p> <p>CARLISLE ASSOCIATES</p> <p>1015 GERVAIS STREET P.O. BOX 11528 COLUMBIA, SC 29211 (803) 252-3232</p>	<p>SHEET TITLE</p> <p>DETAILS</p>	<p>PROJECT TITLE</p> <p>CENTRAL OFFICE BUILDING PHASE II</p>
<p>STATE PROJECT NO. J16-8933</p>		<p>DRAWING NO. S75-A21</p>		<p>SHEET A21 OF 25</p>	
<p>DIVISION</p>		<p>REVISION NO. DATE BY APP. A & E PROJECT NO.</p>		<p>DRAWN BY CHECKED BY FINAL APP.</p>	
<p>DATE 4/1/88</p>		<p>DATE 4/1/88</p>		<p>DATE 4/1/88</p>	

- NOTES**
- 1 5/8" GYPSUM BOARD DRYWALL ON BOTH SIDES OF 3 5/8" METAL STUDS 24" O.C.
 - 2 5/8" FOIL-BACKED GYPSUM BOARD DRYWALL ON ONE SIDE OF 3 5/8" METAL STUDS WITH BATT INSULATION HAVING A R-VALUE OF R-13
 - 3 5/8" GYPSUM BOARD DRYWALL ON 3 5/8" METAL STUDS 24" O.C. WITH SOUND ATTENUATING BLANKET INSULATION
 - 4 5/8" TYPE "X" GYPSUM BOARD DRYWALL ON BOTH SIDES OF 3 5/8" METAL STUDS 24" O.C. WITH SOUND ATTENUATING BLANKET INSULATION; TIGHT TO THE UNDERSIDE OF DECKING; WALL IS TO MEET A 1-HOUR FIRE RATING; FIRE TEST: FM WP-45
 - 5 5/8" WATER RESISTANT (TYPE "X" WHERE REQ'D.) GYPSUM BOARD DRYWALL THIS SIDE OF 3 5/8" METAL STUDS 24" O.C. WITH SOUND ATTENUATING BLANKET INSULATION
 - 6 5/8" TYPE "X" WATER RESISTANT GYPSUM BOARD DRYWALL ON 3 5/8" METAL STUDS 24" O.C. WITH SOUND ATTENUATING BLANKET INSULATION; WALL IS TO MEET A 1-HOUR FIRE RATING; TIGHT TO THE UNDERSIDE OF DECKING
 - 7 5/8" WATER RESISTANT GYPSUM BOARD DRYWALL ON ONE SIDE OF 2 1/2" METAL STUDS 24" O.C. WITH SOUND ATTENUATING BLANKET INSULATION
 - 8 5/8" GYPSUM BOARD DRYWALL ON ONE SIDE OF 1 5/8" METAL STUDS
 - 9 5/8" FOIL-BACKED GYPSUM BOARD DRYWALL ON 7/8" HAT CHANNELS WITH 3/4" RIGID INSULATION ON 8" NOM. C.M.U. BACKING FOR 4" LIMESTONE PANEL
 - 10 5/8" GYPSUM BOARD DRYWALL ON 7/8" HAT CHANNELS ON AN 8" NOM. CLAY BRICK MASONRY WALL, TIGHT TO UNDERSIDE OF DECKING, TO MEET A 1-HOUR FIRE RATING
 - 11 5/8" FOIL-BACKED GYPSUM BOARD DRYWALL ON 7/8" HAT CHANNELS WITH 3/4" RIGID INSULATION ON AN 8" NOM. CLAY BRICK MASONRY WALL
 - 12 8" NOM. CLAY BRICK MASONRY WALL
 - 13 5/8" GYPSUM BOARD DRYWALL ON 7/8" HAT CHANNELS ON ONE SIDE OF 12" NOM. C.M.U. WALL; BLOCK FILLED WITH VERMICULITE, TIGHT TO THE UNDERSIDE OF DECKING AT ROOF, TO MEET A 1-HOUR FIRE RATING
 - 14 5/8" GYPSUM BOARD DRYWALL ON 7/8" HAT CHANNELS ON ONE SIDE OF 8" NOM. C.M.U. WALL; BLOCK FILLED WITH VERMICULITE, TIGHT TO THE UNDERSIDE OF DECKING, TO MEET A 1-HOUR FIRE RATING
 - 15 8" NOM. C.M.U. WALL; BLOCK FILLED WITH VERMICULITE; TIGHT TO THE UNDERSIDE OF DECKING AT ROOF, TO MEET A 1-HOUR FIRE RATING
 - 16 CONCRETE BLOCK VOIDS FILLED WITH SAND
 - 17 5/8" GYPSUM BOARD DRYWALL ON 7/8" HAT CHANNELS ON ONE SIDE OF C.M.U. WALL; BLOCK FILLED WITH SAND
 - 18 5/8" FOIL-BACKED GYPSUM BOARD DRYWALL ON 7/8" HAT CHANNELS WITH 3/4" RIGID INSULATION ON A CONCRETE WALL
 - 19 5/8" FOIL-BACKED GYPSUM BOARD DRYWALL ON 3 5/8" METAL STUDS WITH 3/4" RIGID INSULATION ON A CONCRETE WALL
 - 20 14" CONCRETE WALL
 - 21 5/8" WATER RESISTANT GYPSUM BOARD ON 6" METAL STUDS 24" O.C. WITH BATT INSULATION HAVING A R-VALUE OF R-19
 - 22 5/8" GYPSUM BOARD DRYWALL ON BOTH SIDES OF 3 5/8" METAL STUDS; FUR WALL DOWN TO TOP OF FILING CABINET HEIGHT
 - 23 5/8" TYPE "X" GYPSUM BOARD DRYWALL ON 1 5/8" METAL STUDS, TIGHT TO THE UNDERSIDE OF DECKING, TO MEET A 1-HOUR FIRE RATING
 - 24 5/8" WATER RESISTANT GYP. BOARD ON 1/2" RESILIENT CHANNELS ON AN 8" NOM. CLAY BRICK MASONRY WALL, TIGHT TO UNDERSIDE OF DECKING, TO MEET A 1-HOUR FIRE RATING. THIS NOTE APPLIES TO THIS WALL ONLY.
 - 25 5/8" FOIL-BACKED GYPSUM BOARD DRYWALL ON 2 1/2" METAL STUDS WITH 3/4" RIGID INSULATION ON A CONCRETE WALL



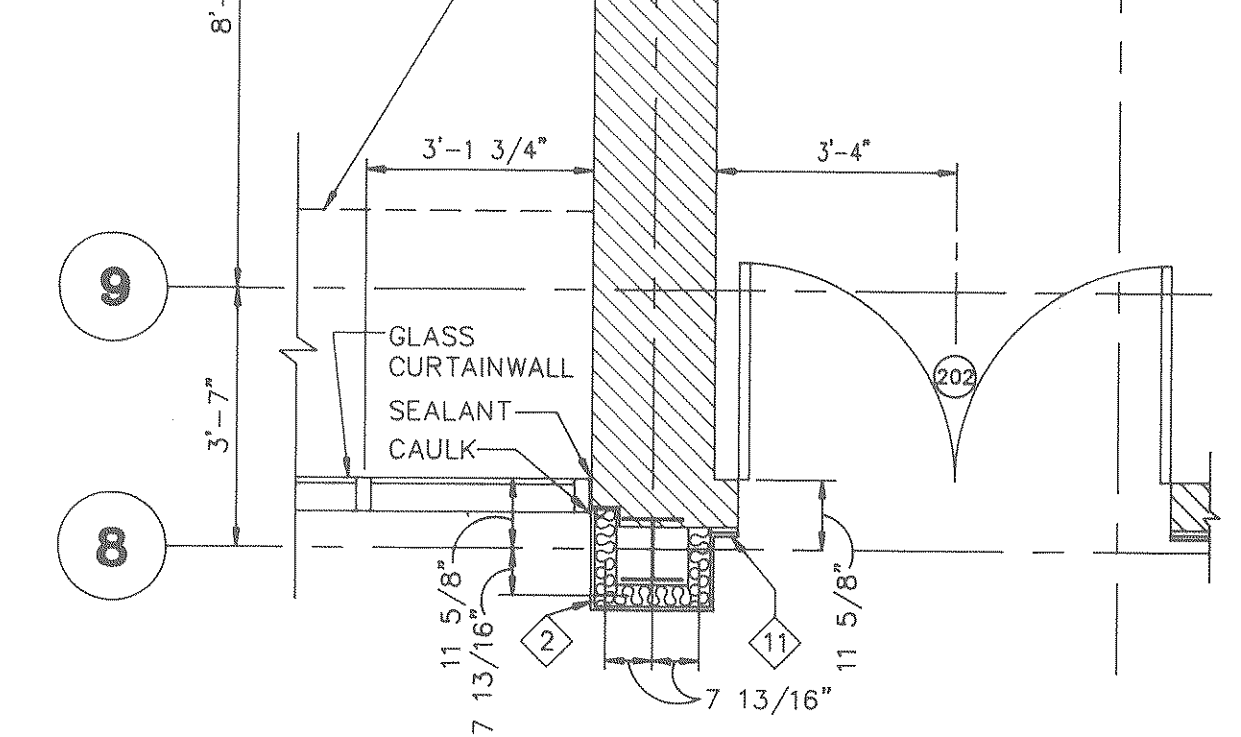
SECTION THRU COVE LIGHTING

SCALE: 1 1/2" = 1' - 0"



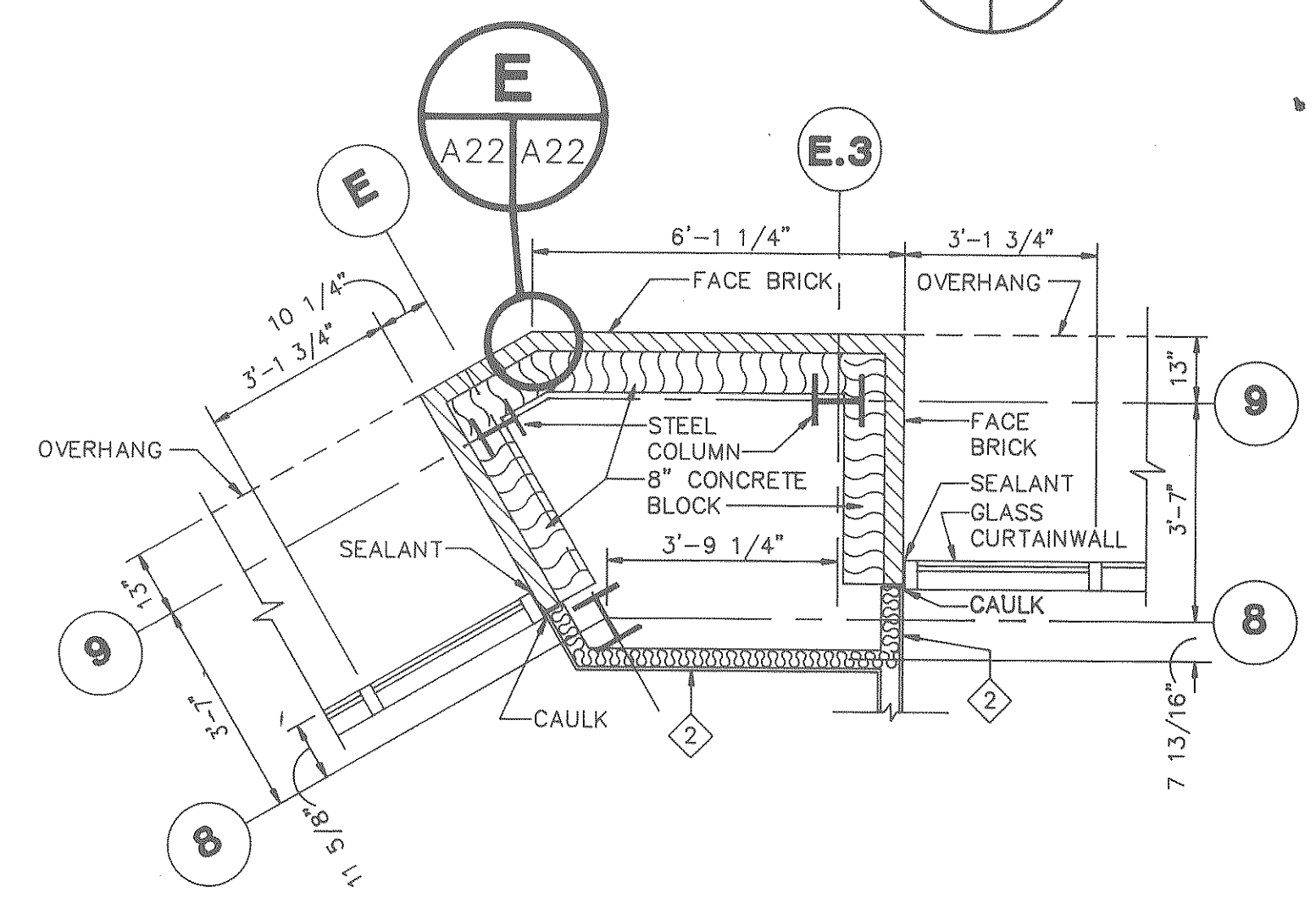
DETAIL C

SCALE: 3/8" = 1' - 0"



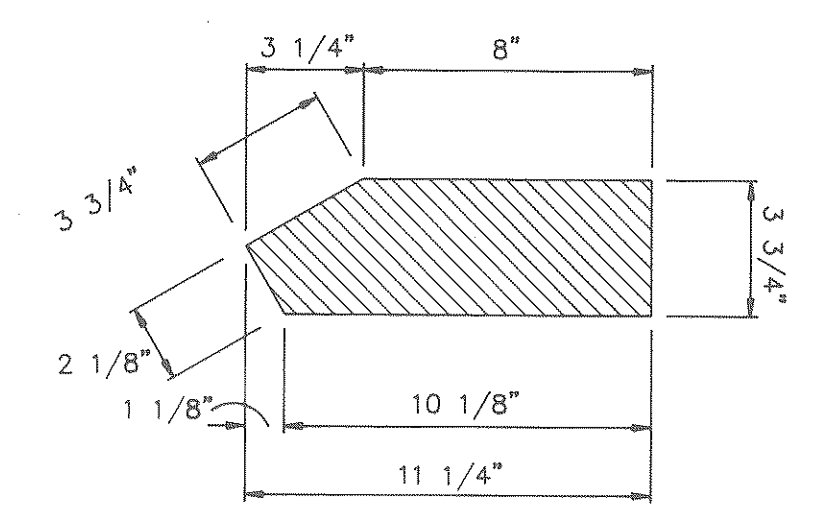
DETAIL B

SCALE: 3/8" = 1' - 0"



DETAIL D

SCALE: 3/8" = 1' - 0"

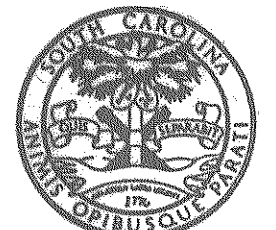
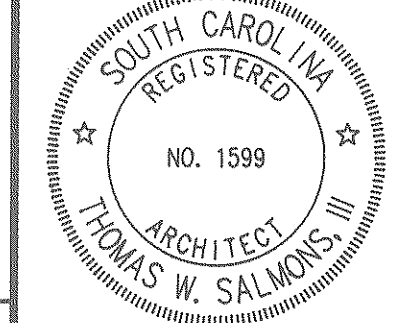
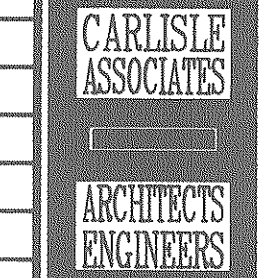


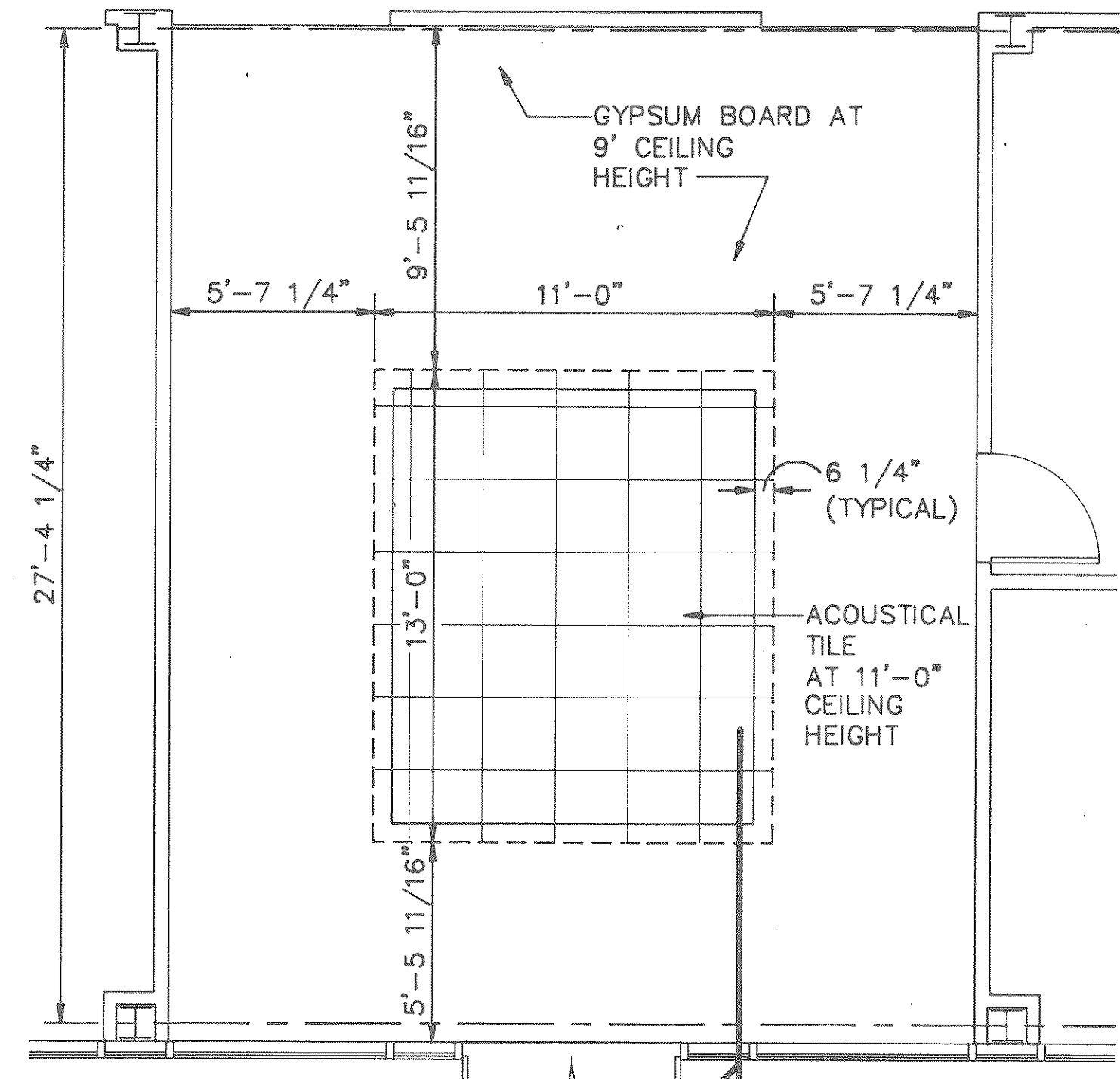
CUSTOM BRICK SHAPE

1/4 FULL SIZE

RECORD DRAWINGS

SUBCONTRACTOR: _____
 GENERAL CONTRACTOR: _____
 GENERAL CONTRACTOR SHALL VERIFY SUBCONTRACTORS SIGNATURE IF APPLICABLE.

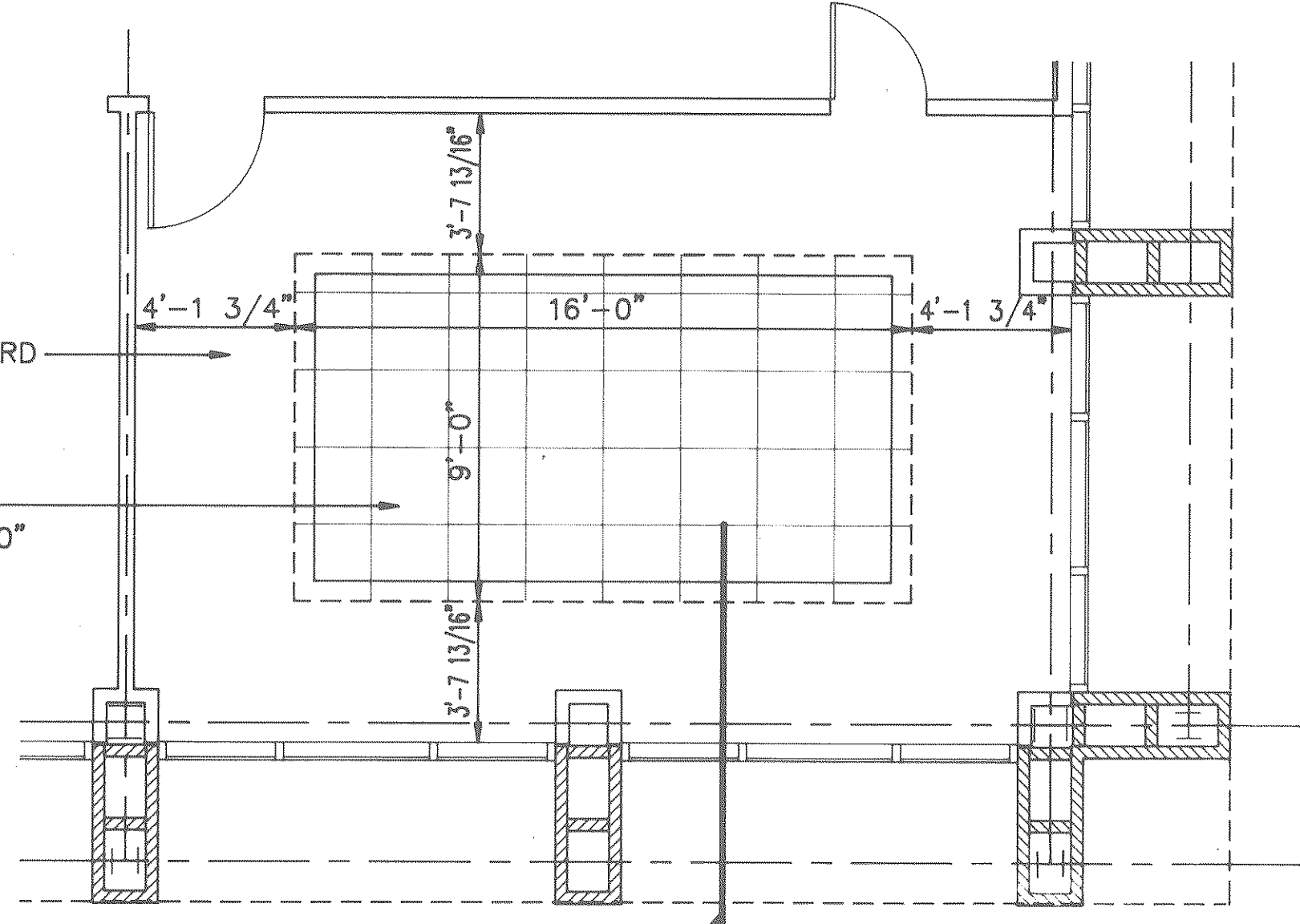
 The State of South Carolina	AGENCY OR INSTITUTION DEPARTMENT OF MENTAL RETARDATION	PROFESSIONAL SEAL 	A & E FIRM  CARLISLE ASSOCIATES 1015 GERVAIS STREET P.O. BOX 11528 COLUMBIA, SC 29211 (803) 252-3232	SHEET TITLE DETAILS	PROJECT TITLE CENTRAL OFFICE BUILDING PHASE II
DIVISION		REVISION NO. DATE BY APP.		DRAWN BY CHECKED BY FINAL APP.	STATE PROJECT NO. J16-8933 DRAWING NO. S75-A22 SHEET A22 OF 25 DATE 4/1/88



NOTE: FOR LIGHTING FIXTURE LAYOUT, SEE ELECTRICAL DRAWINGS

REFLECTED CEILING PLAN - LOBBY 101

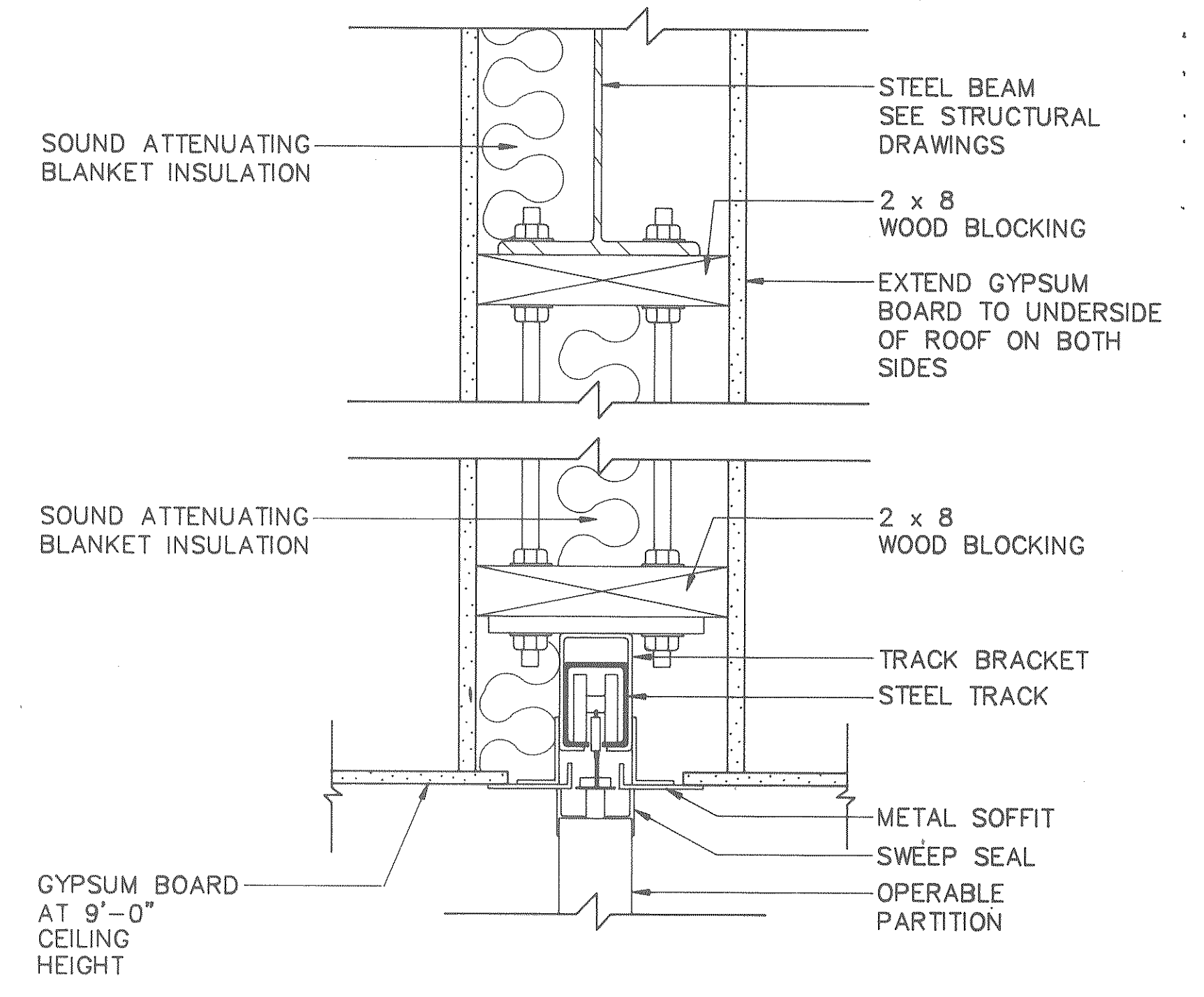
SCALE: 1/4" = 1'-0"



NOTE: FOR LIGHTING FIXTURE LAYOUT, SEE ELECTRICAL DRAWINGS

REFLECTED CEILING PLAN - OFFICE 263

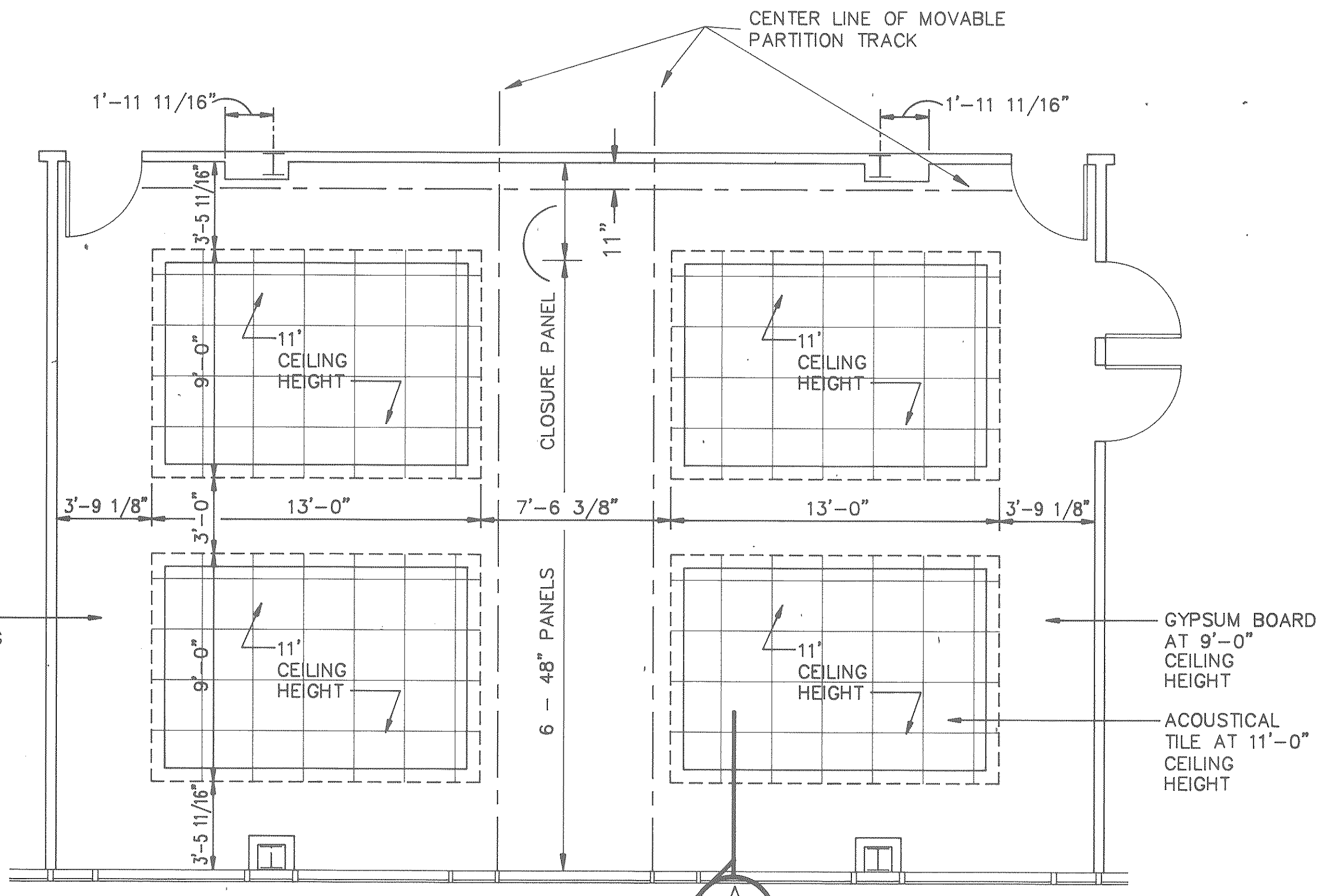
SCALE: 1/4" = 1'-0"



DETAIL OF TRACK

SCALE: 3" = 1'-0"

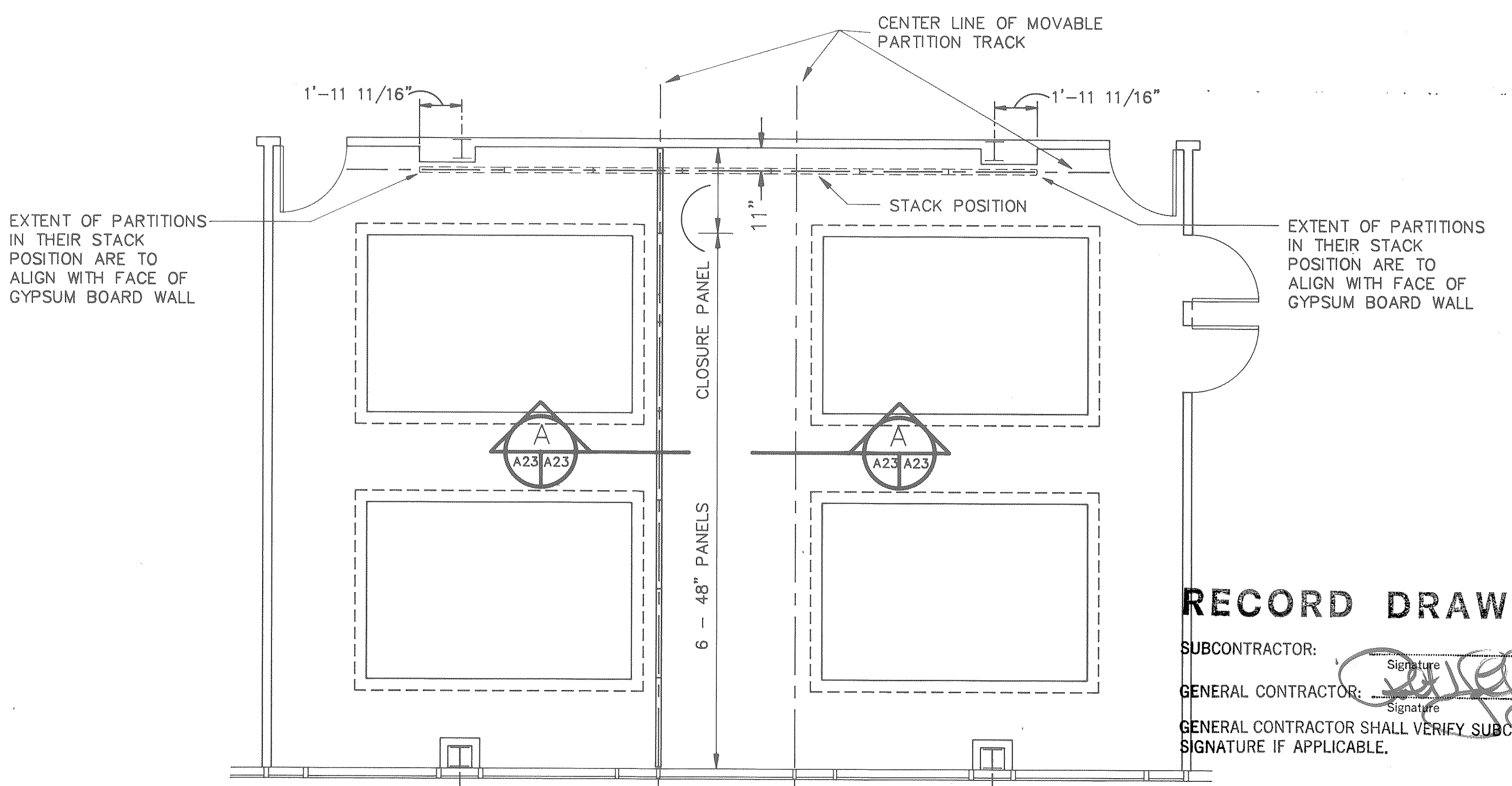
A
A23/A23



NOTE: FOR LIGHTING FIXTURE LAYOUT, SEE ELECTRICAL DRAWINGS

REFLECTED CEILING PLAN - CONFERENCE ROOM 251

SCALE: 1/4" = 1'-0"



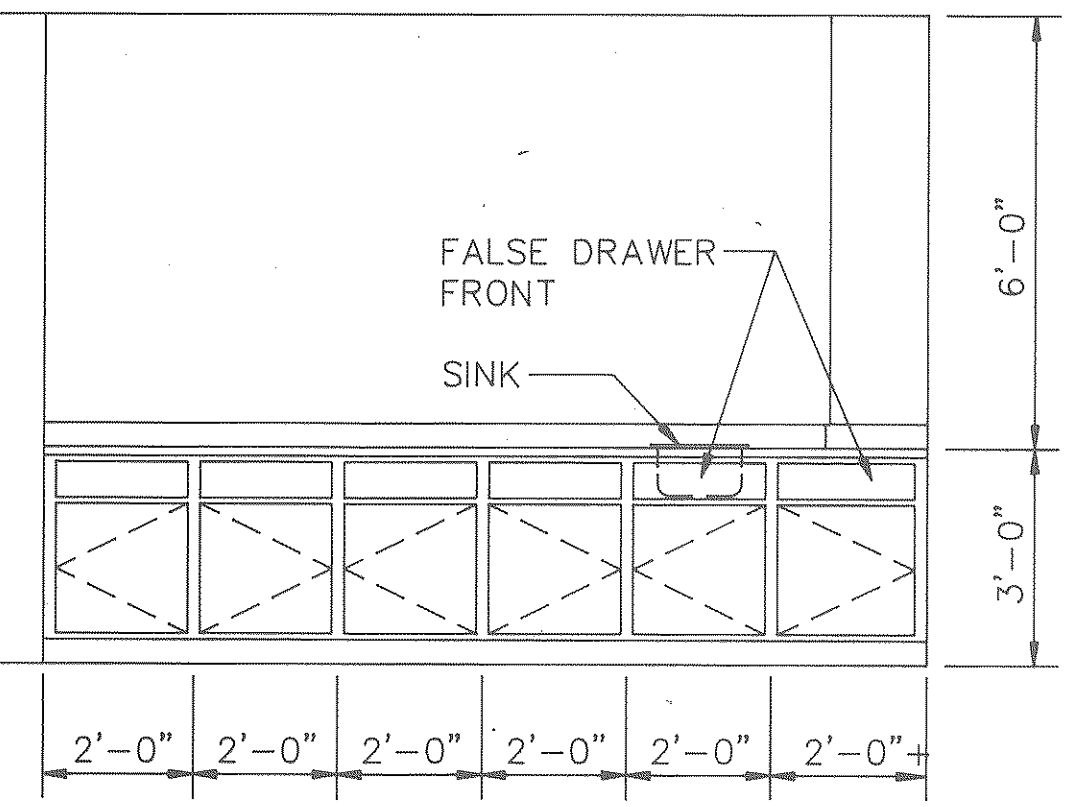
OPERABLE PARTITIONS - CONFERENCE ROOM SPACE 251

SCALE: 1/4" = 1'-0"

RECORD DRAWINGS

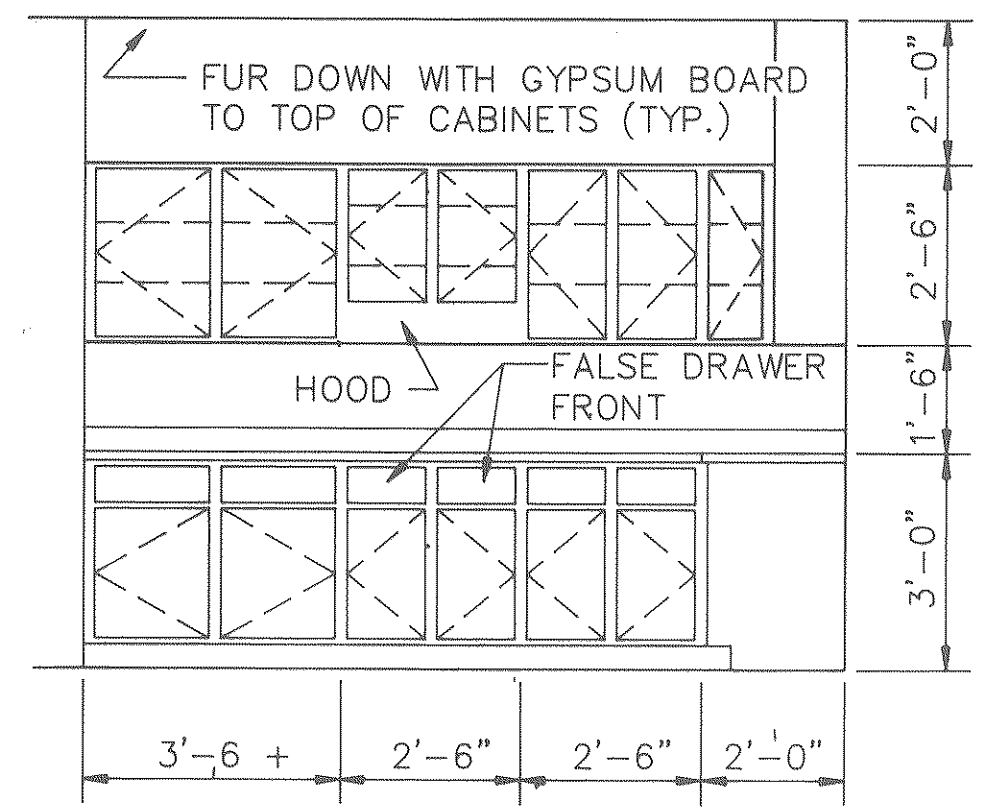
SUBCONTRACTOR: _____ Date _____
 GENERAL CONTRACTOR: _____ Date _____
 GENERAL CONTRACTOR SHALL VERIFY SUBCONTRACTORS SIGNATURE IF APPLICABLE.

<p>The State of South Carolina</p>	AGENCY OR INSTITUTION DEPARTMENT OF MENTAL RETARDATION	PROFESSIONAL SEAL 	A & E FIRM 	SHEET TITLE DETAILS (REFLECTED CEILINGS)	PROJECT TITLE CENTRAL OFFICE BUILDING PHASE II
	DIVISION	STATE PROJECT NO. J16-8933	DRAWING NO. S75-A23	SHEET A23 OF 25	DATE 4/1/88



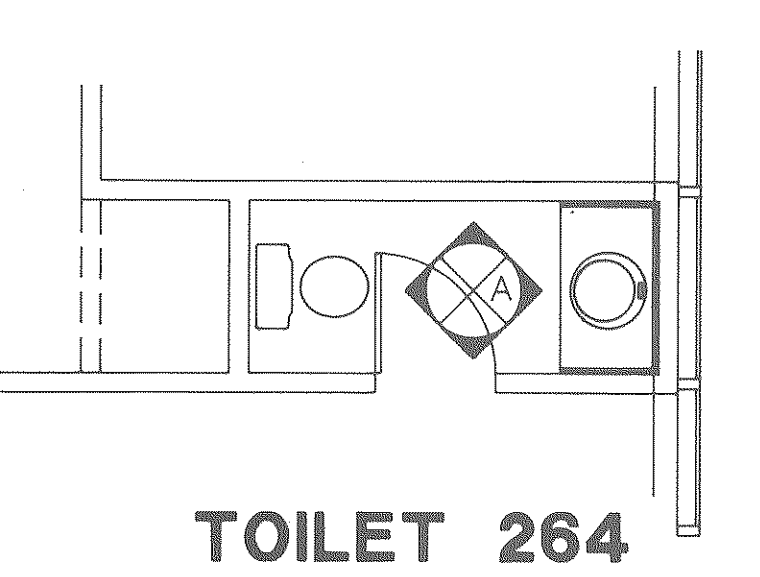
**WORK ROOM CABINETS
ELEVATION "A"**

SCALE: 3/8" = 1'-0"

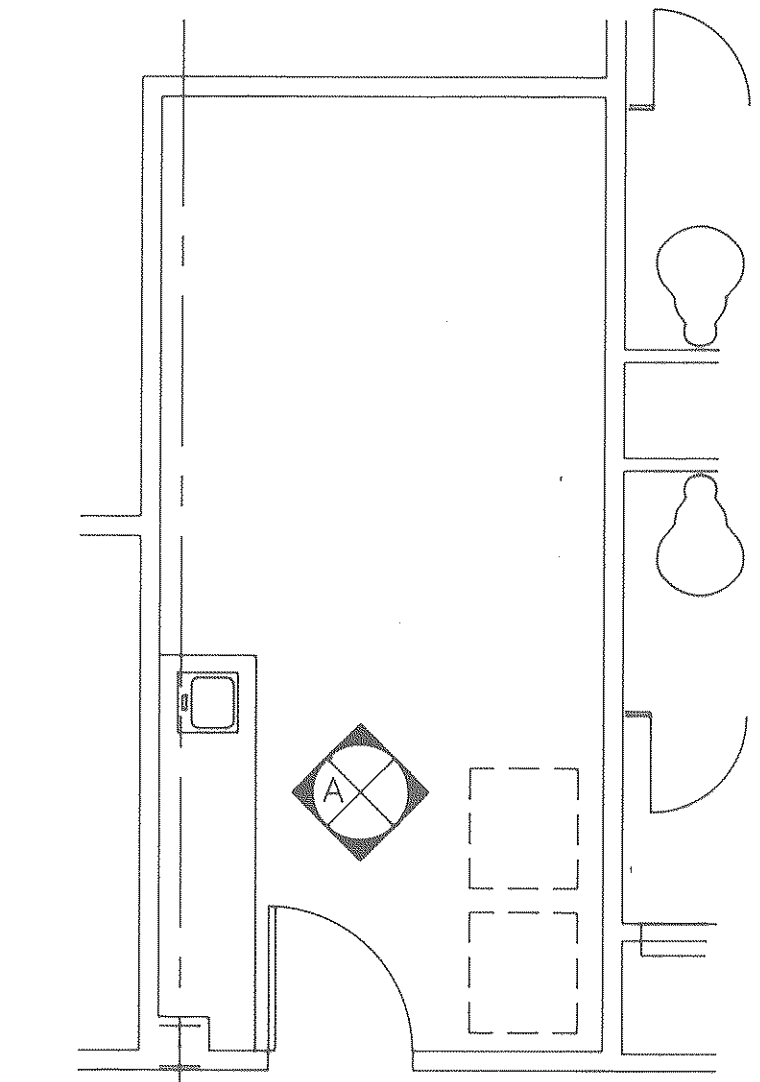


**KITCHEN CABINETS
ELEVATION "A"**

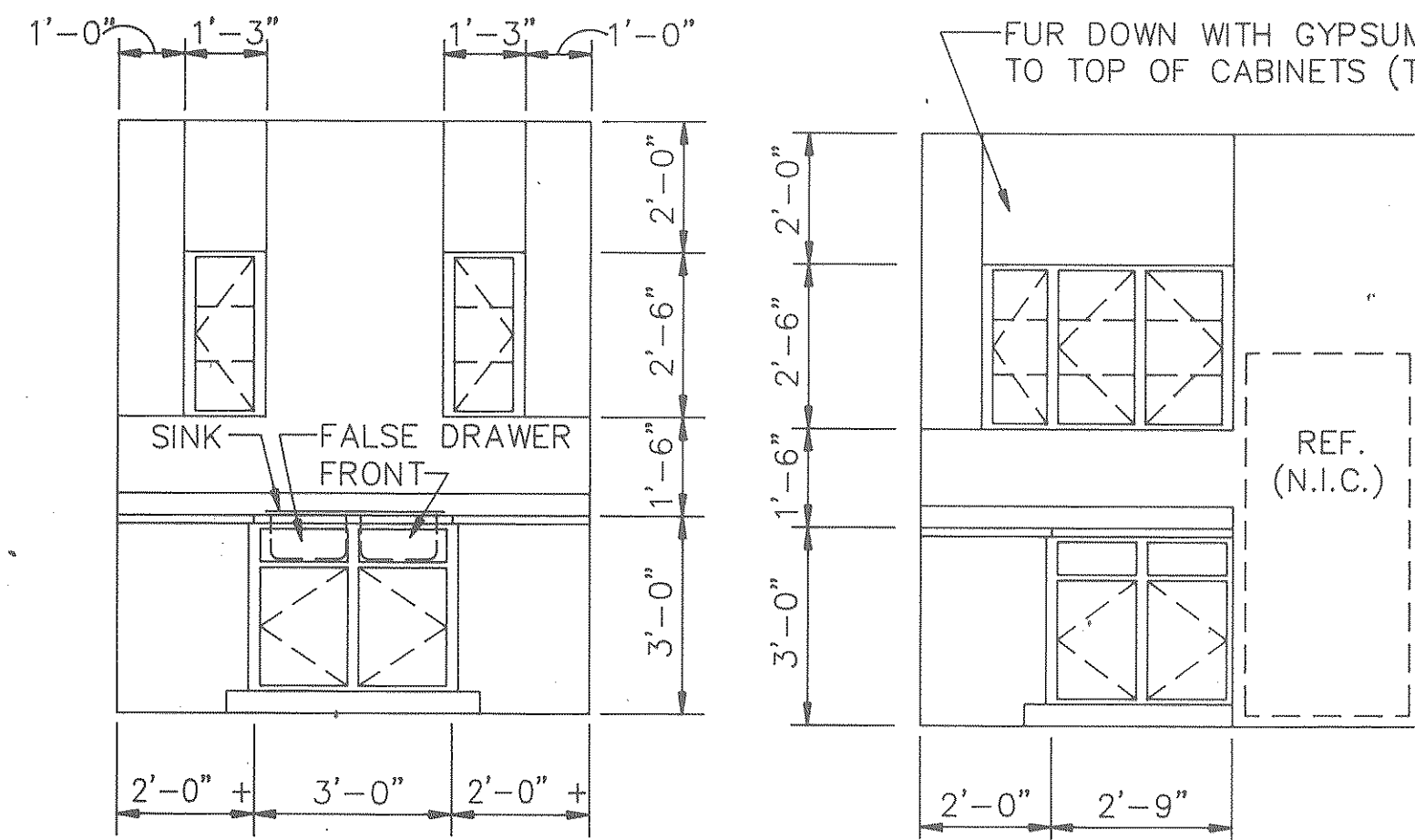
SCALE: 3/8" = 1'-0"



TOILET 264

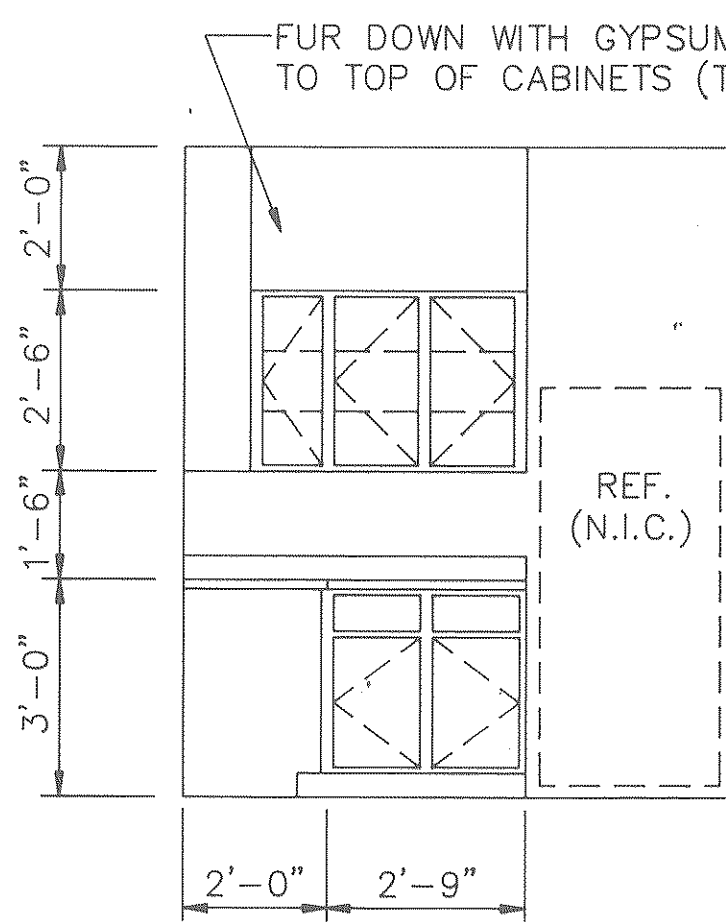


LOUNGE 212



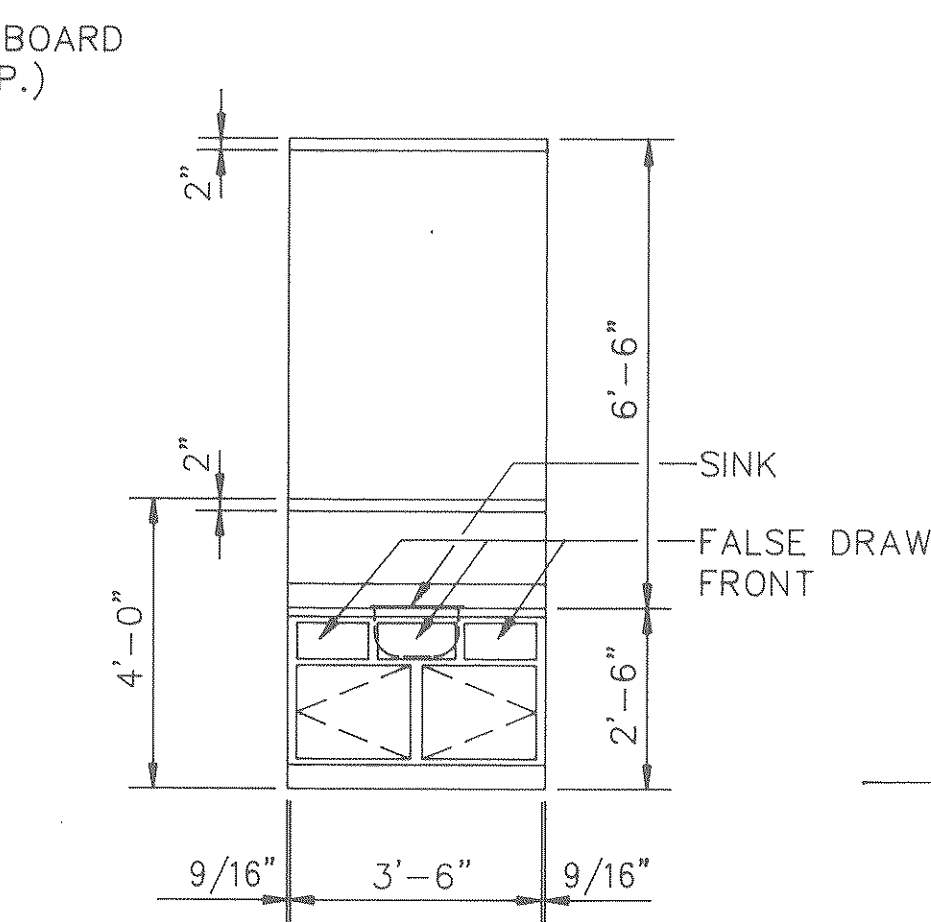
**KITCHEN CABINETS
ELEVATION "B"**

SCALE: 3/8" = 1'-0"



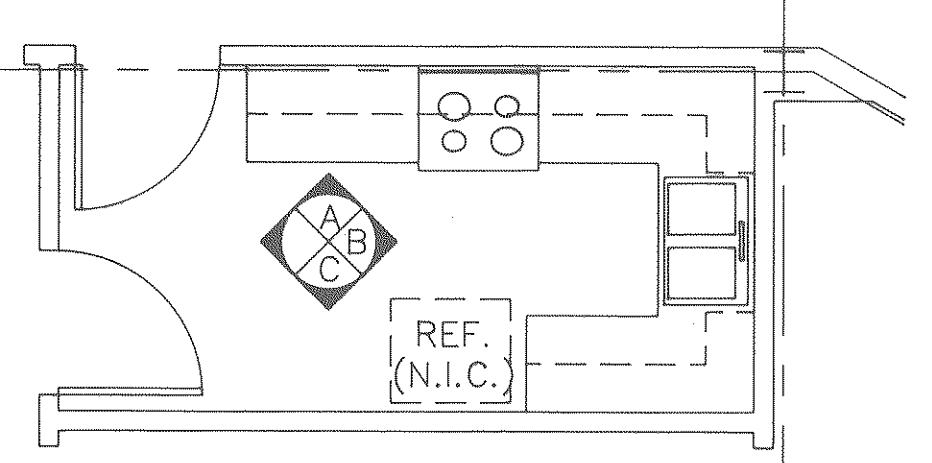
**KITCHEN CABINETS
ELEVATION "C"**

SCALE: 3/8" = 1'-0"

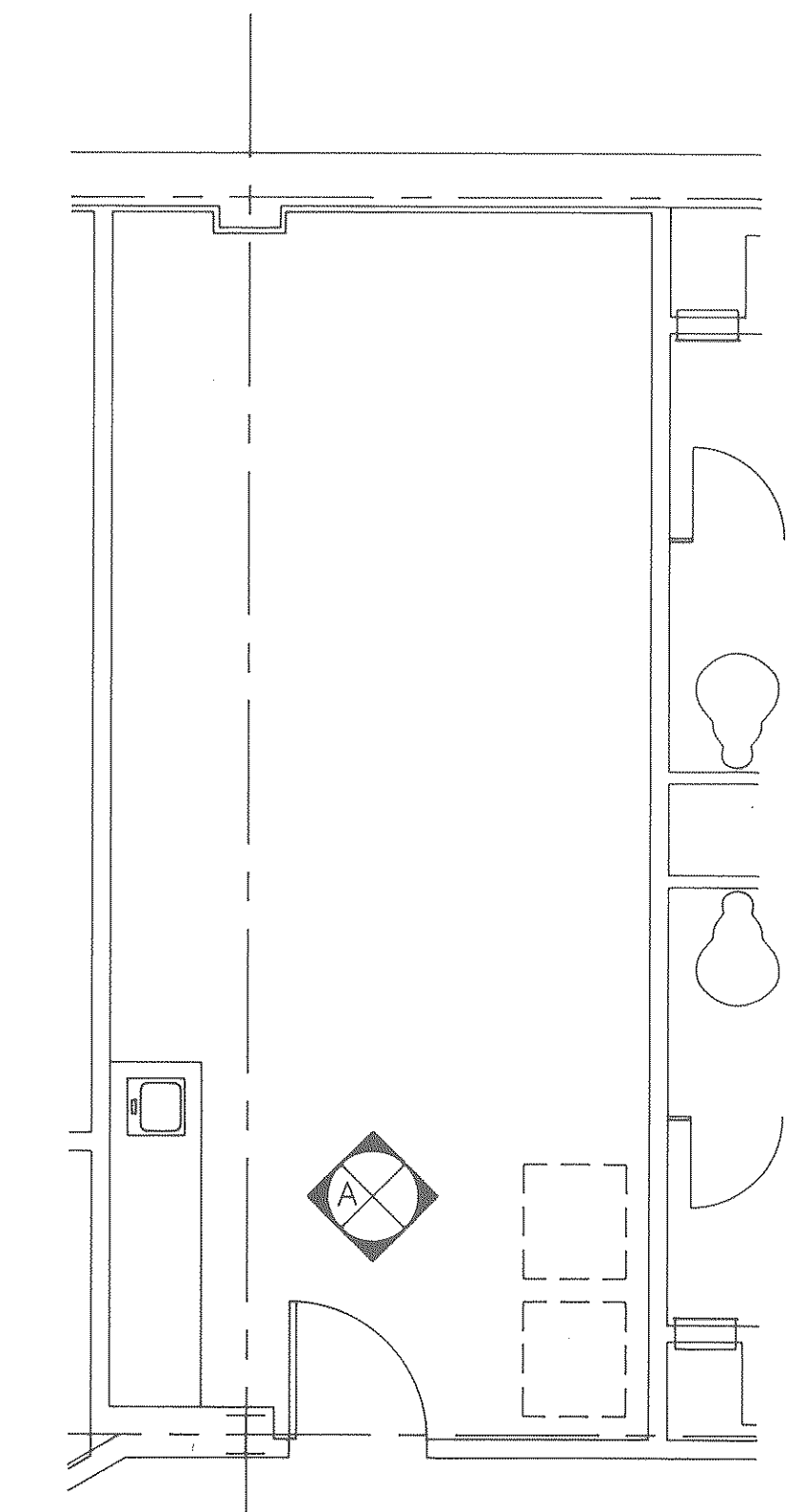


**TOILET ROOM CABINET
ELEVATION "A"**

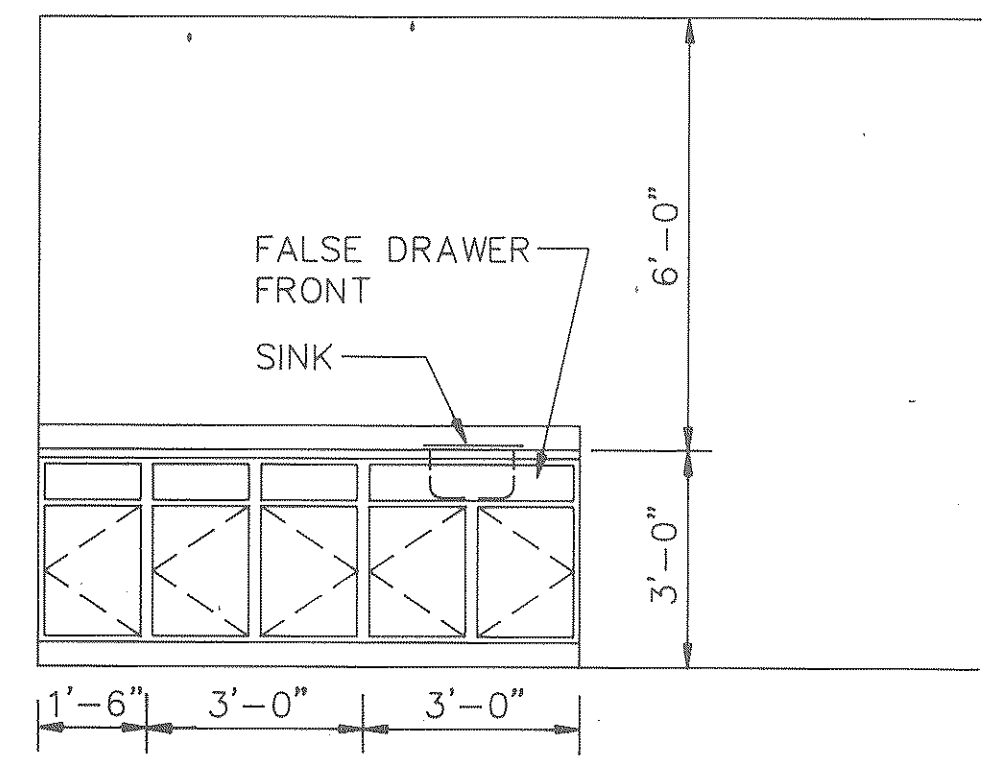
SCALE: 3/8" = 1'-0"



KITCHEN 253

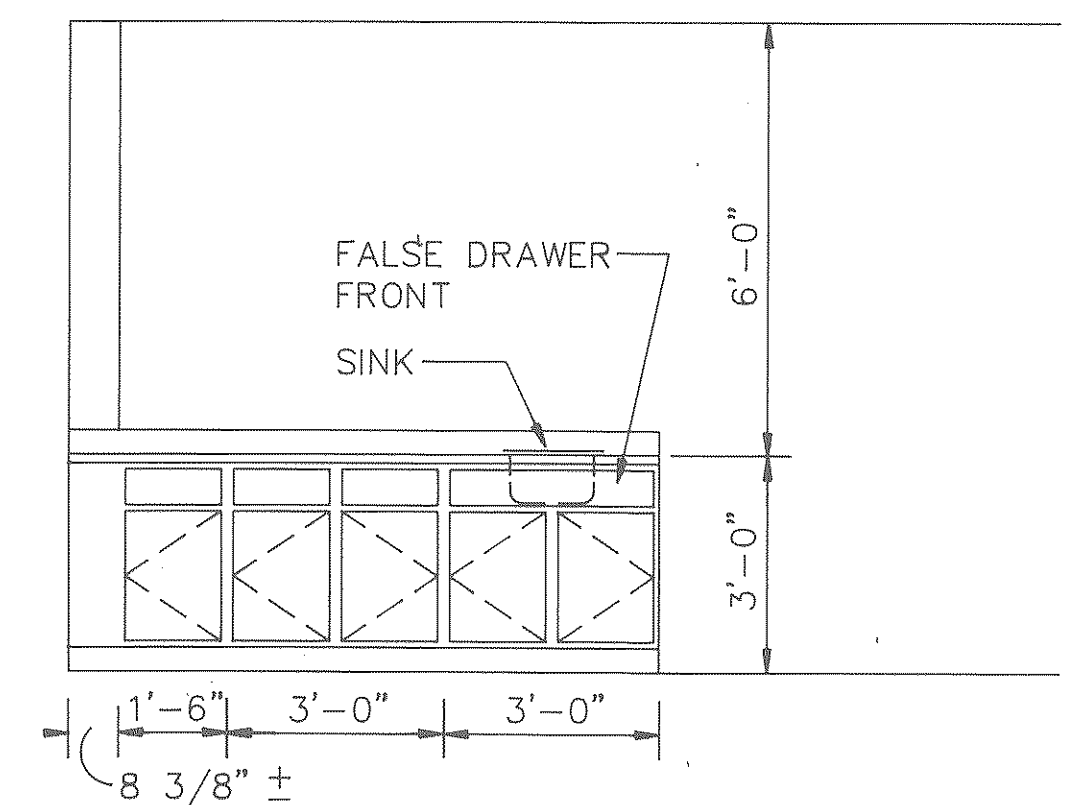


LOUNGE 151



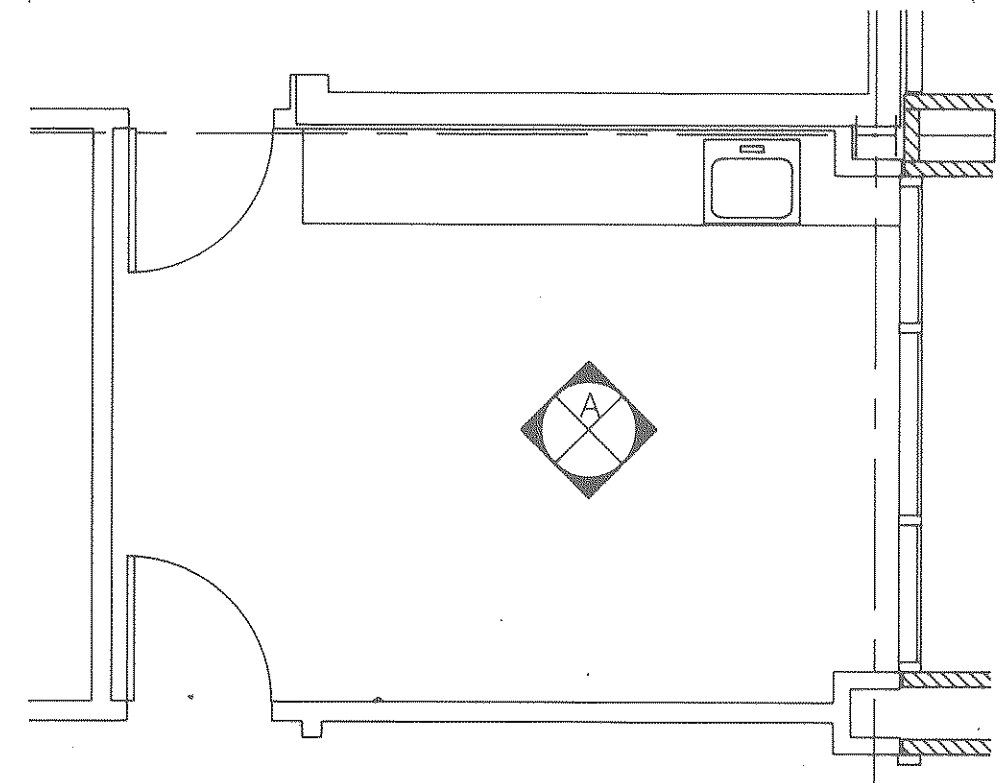
**LOUNGE 151 CABINETS
ELEVATION "A"**

SCALE: 3/8" = 1'-0"



**LOUNGE 212 CABINETS
ELEVATION "A"**

SCALE: 3/8" = 1'-0"



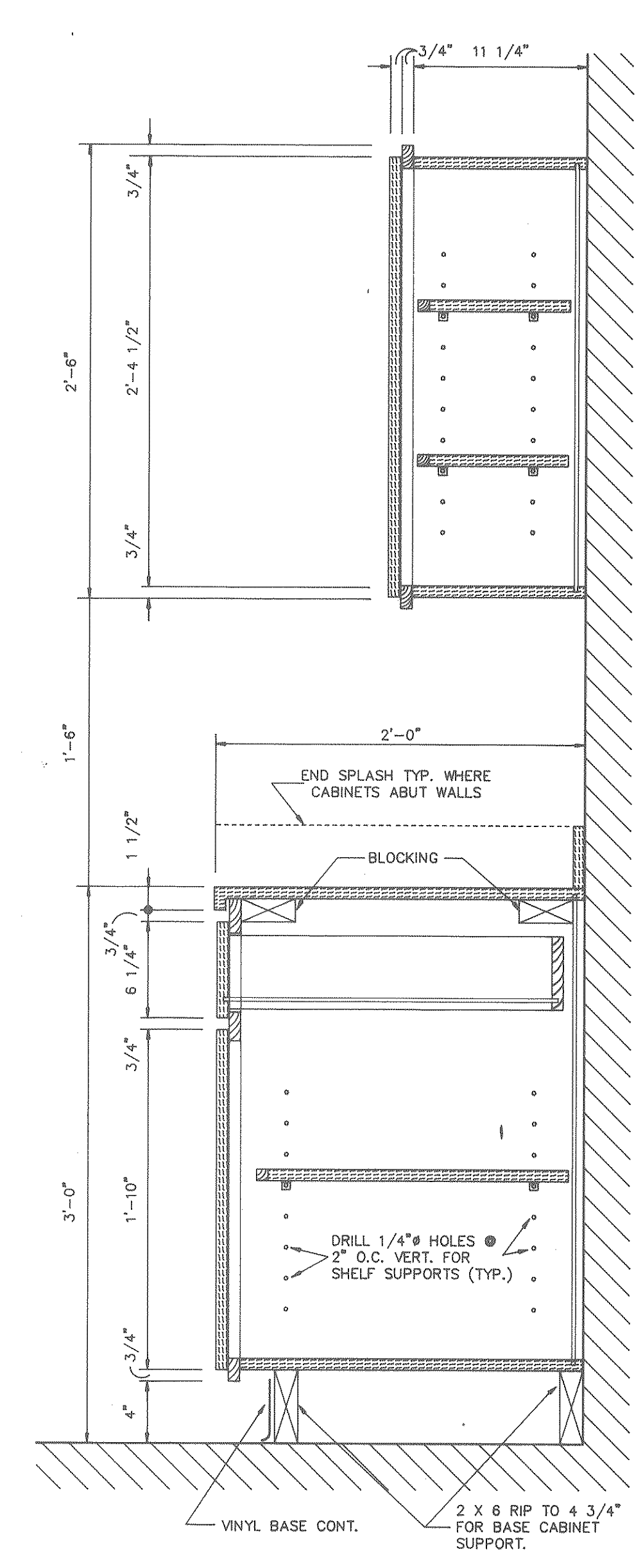
WORK ROOM 266

ENLARGED PLANS INDICATING CABINET ELEVATIONS

SCALE: 1/4" = 1'-0"

RECORD DRAWINGS

SUBCONTRACTOR: _____
 GENERAL CONTRACTOR: _____
 GENERAL CONTRACTOR SHALL VERIFY SUBCONTRACTORS SIGNATURE IF APPLICABLE.



DOORS
 PLASTIC LAMINATE CLAD HIGH DENSITY 3/4" PARTICLEBOARD (ALL SURFACES). LAMINATE EDGES PRIOR TO LAMINATING FACE SURFACES.

DRAWER FRONTS
 PLASTIC LAMINATE CLAD (ALL SURFACES) 1" NOM. HARDWOOD (BIRCH OR MAPLE). LAMINATE EDGES PRIOR TO LAMINATING FACE SURFACES.

DRAWER SIDES & BACKS
 1" NOM. HARDWOOD (BIRCH, MAPLE OR SOUTHERN YELLOW PINE). CLEAR URETHANE FINISH. DRAWER SIDES TO BE "FRENCH DOVETAILED" & GLUED INTO DRAWER FRONTS AND STOP LAPPED TO DRAWER BACKS.

EXPOSED SIDE & END PANELS
 PLASTIC LAMINATE CLAD HIGH DENSITY 3/4" PARTICLEBOARD, ALL EXPOSED SURFACES. MELAMINE FINISH (NEUTRAL COLOR), ALL UNEXPOSED SURFACES.

UNEXPOSED SIDE & END PANELS
 MELAMINE FINISHED HIGH DENSITY 3/4" PARTICLEBOARD (NEUTRAL COLOR) FOR ALL UNEXPOSED SURFACES.

FACE FRAME
 EXPOSED FACE FRAME TO BE 1" NOM. STAIN GRADE (CLEAR) WOOD, BIRCH OR WHITE OAK AS SELECTED BY ARCHITECT. PROVIDE FILLER, STAIN & CLEAR URETHANE FINISH TO ALL SURFACES.

COUNTER TOPS & BACK/SIDE SPLASH
 PLASTIC LAMINATE CLAD HIGH DENSITY 3/4" PARTICLEBOARD (ALL EXPOSED SURFACES) WITH BACKER IF REQUIRED TO PREVENT WARPING.

SHELVING
 MELAMINE FINISHED HIGH DENSITY 3/4" PARTICLEBOARD (NEUTRAL COLOR) SHELF BOARDS WITH 3/4" SQ. WOOD BAND TO MATCH FACE FRAME.

CABINET BACKS & DRAWER BOTTOMS
 1/4" (MIN. ACTUAL THICKNESS) TEMPERED (BOTH FACES) HARDBOARD. RABBET DRAWER BOTTOMS INTO SIDES, FRONTS & BACKS. RABBET CABINET BACKS INTO SIDES & BOTTOM, AND SECURE TO TOP FRAMING.

BLOCKING & ROUGH FRAMING
 BLOCKING & ROUGH FRAMING MAY BE OF ASH, POPLAR, S.Y.P., OR OTHER SOUND WOOD APPROVED BY THE ARCHITECT.

CABINET HARDWARE
 "STANLEY" OR APPROVED EQUAL. HINGES PAIR #332 EA. DOOR LEAF. PULLS #44834 EA. DOOR LEAF AND EA. DRAWER. CATCHES #46 PAIR PER DOOR LEAF. "GRANT" OR APPROVED EQUAL. DRAWER SLIDES PAIR #328 EA. DRAWER.

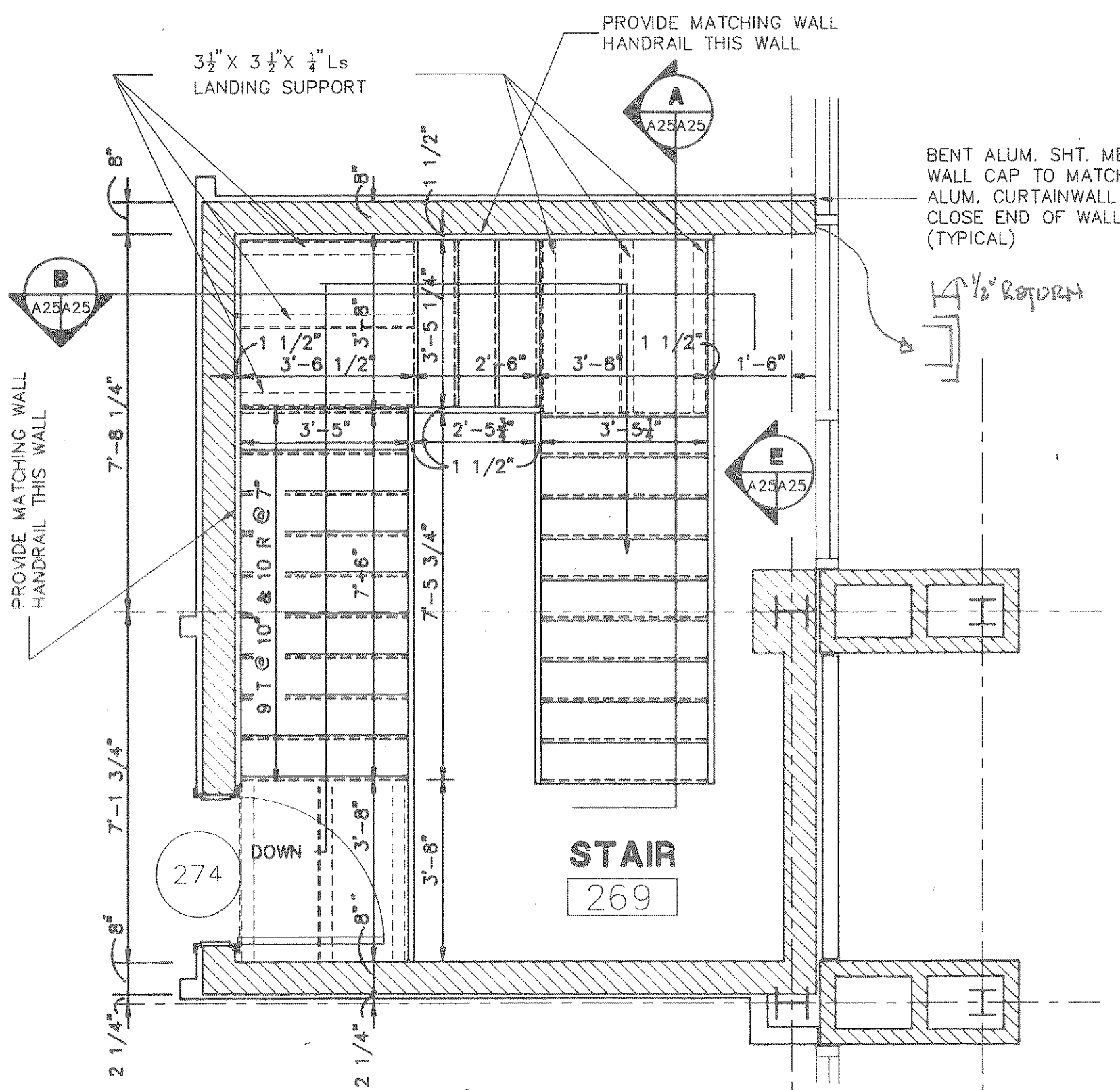
MISCELLANEOUS
 SHELF SUPPORTS CHROME PLATED ANGLE & PIN TYPE FOR 1/4" HOLES.

**ALTERNATE CONSTRUCTION FOR
CABINETS IN SPACES NO. 151,
NO. 212, NO.253, & NO. 266**

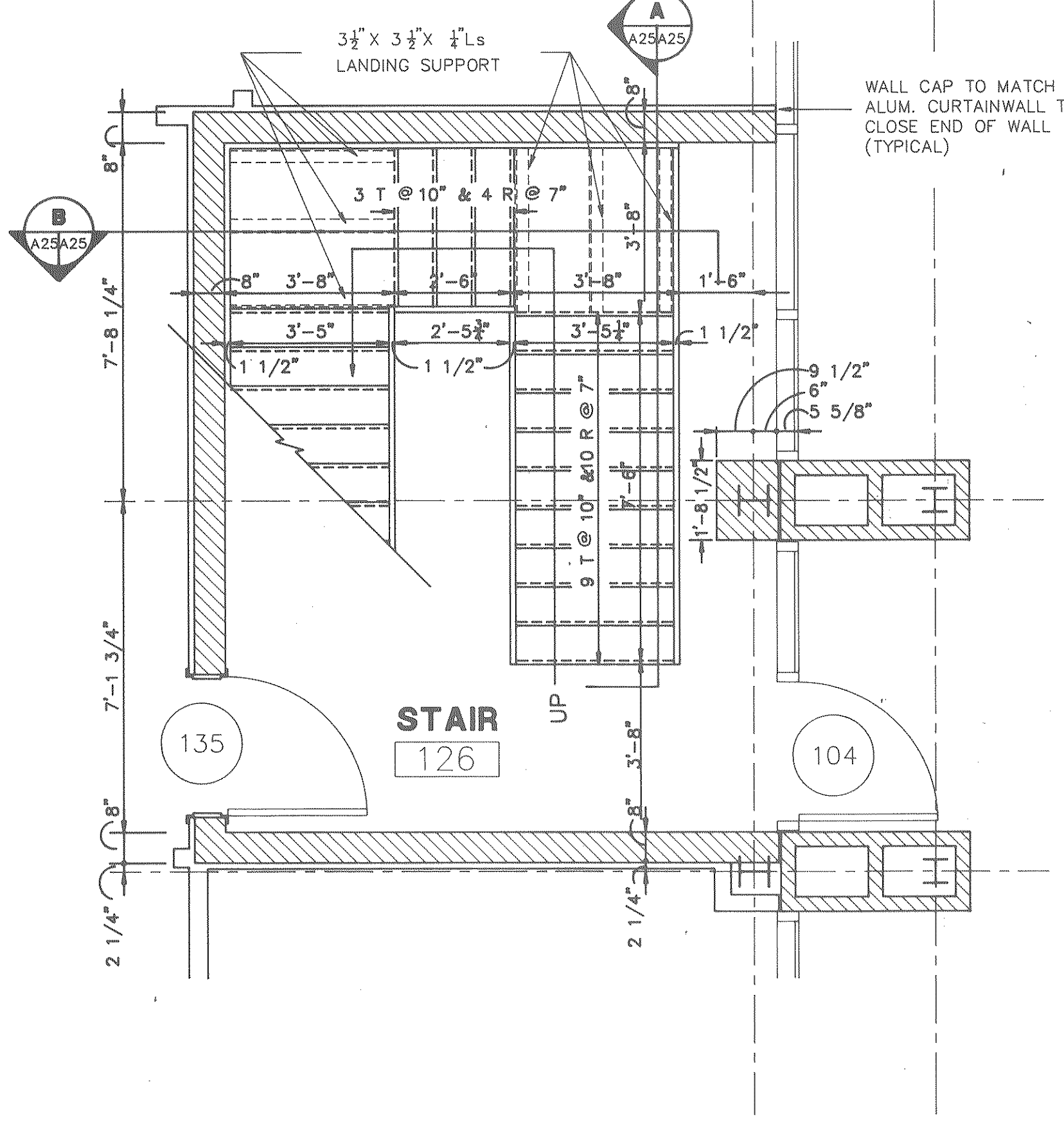
SCALE: 1 1/2" = 1'-0"

BID ALTERNATE

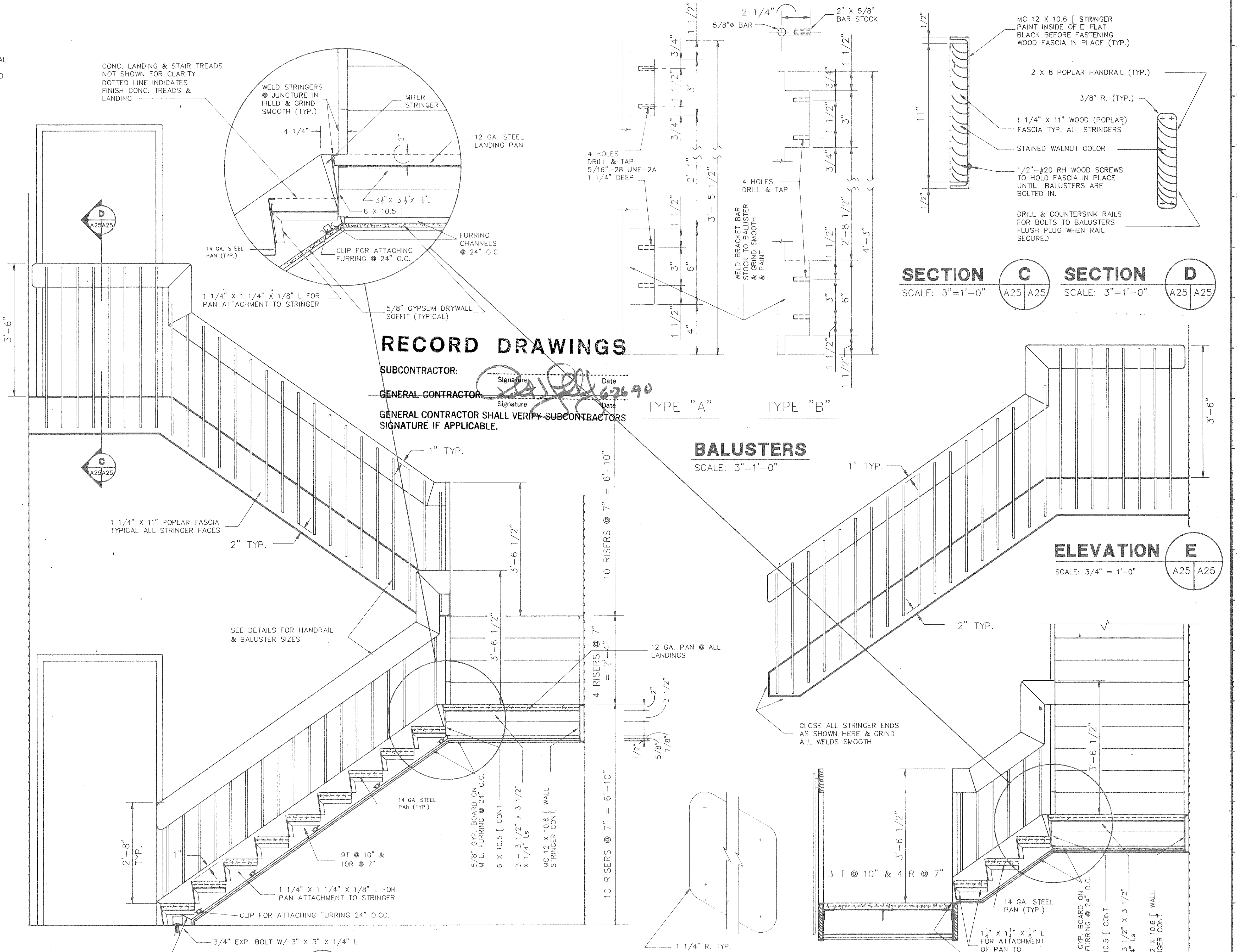
<p>The State of South Carolina</p>	<p>DEPARTMENT OF MENTAL RETARDATION</p>	<p>CARLISLE ASSOCIATES 1015 GERVAIS STREET P.O. BOX 11528 COLUMBIA, SC 29211 (803) 252-3232</p>	A & E FIRM CARLISLE ASSOCIATES ARCHITECTS & ENGINEERS			SHEET TITLE INTERIOR ELEVATIONS	PROJECT TITLE CENTRAL OFFICE BUILDING PHASE II		
			REVISION NO. DATE BY APP. A & E PROJECT NO.	DRAWN BY CHECKED BY FINAL APP.	STATE PROJECT NO. J16-8933		DRAWING NO. S75-A24	SHEET A24 OF 25	



SECOND FLOOR PLAN
SCALE: 3/8" = 1'-0"



FIRST FLOOR PLAN
SCALE: 3/8" = 1'-0"



RECORD DRAWINGS

SUBCONTRACTOR: _____ Date _____
 GENERAL CONTRACTOR: _____ Date 6/26/90
 GENERAL CONTRACTOR SHALL VERIFY SUBCONTRACTORS SIGNATURE IF APPLICABLE.

TYPE "A" TYPE "B"

BALUSTERS
SCALE: 3"=1'-0"

RAIL ENDS

SECTION B
SCALE: 3/4" = 1'-0"

ELEVATION E
SCALE: 3/4" = 1'-0"

SECTION C
SCALE: 3"=1'-0"

SECTION D
SCALE: 3"=1'-0"

<p>The State of South Carolina</p>	<p>DEPARTMENT OF MENTAL RETARDATION</p>	<p>PROFESSIONAL SEAL</p>	<p>A & E FIRM CARLISLE ASSOCIATES ARCHITECTS ENGINEERS</p>	<p>SHEET TITLE STAIR DETAILS</p>	PROJECT TITLE CENTRAL OFFICE BUILDING PHASE II		
					<p>STATE PROJECT NO. J16-8933</p>	<p>DRAWING NO. 575-A25</p>	<p>SHEET A25 OF 25</p>
<p>DIVISION</p>		<p>REVISION NO. DATE BY APP. A & E PROJECT NO.</p>		<p>DRAWN BY</p>	<p>CHECKED BY</p>	<p>FINAL APP.</p>	<p>DATE 4/1/88</p>